

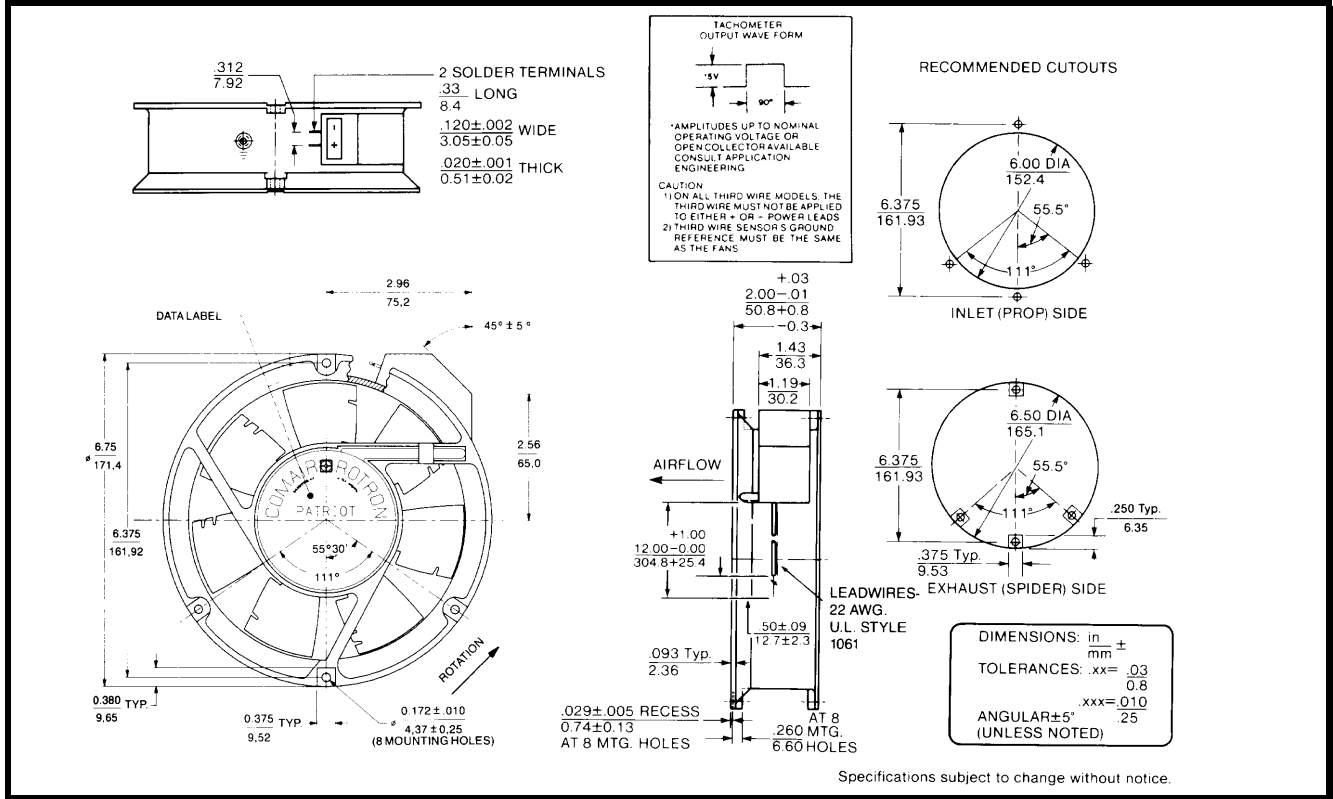
SPECIFICATIONS



Model Number: PQ24S4H
Part Number: 19031397

February 21, 2013

Mechanical Drawing:



Motor (Full Speed):

Nominal Voltage	= 24 vdc
Operating Voltage Range	= 12 - 28 vdc
Nominal Running Current	= 1.00 amps
Locked Rotor Current	= 1.55 amps
Running Power	= 24 watts
Average Speed	= 3425 RPM
Bearings	= Ball
Air Flow	= 235 CFM
Acoustic	= 51.2 dBA

Construction:

Venturi: Single Piece, Die-Cast Aluminum, Black
 Propeller: Polycarbonate, Black, UL 94V-0

Agency Approvals:

UL, CE

Life Expectancy:

This fan is designed for continuous duty life of 75,000 hours at 40°C

Additional Features:

Brushless DC Motor
 Polarity Protected
 Locked Rotor Protection
 Automatic Restart Capability
 Operating Temperature: -10°C to 70°C
 Storage Temperature: -40°C to 85°C
 Thermal Speed Control

Termination:

PTC on 36" zip cord
 2 Terminals- fan power