



**Muffin XL - MD48B1 - 028867 - Yes**  
 (Family) (Model) (Part #) (In Stock)

### Electrical Specifications

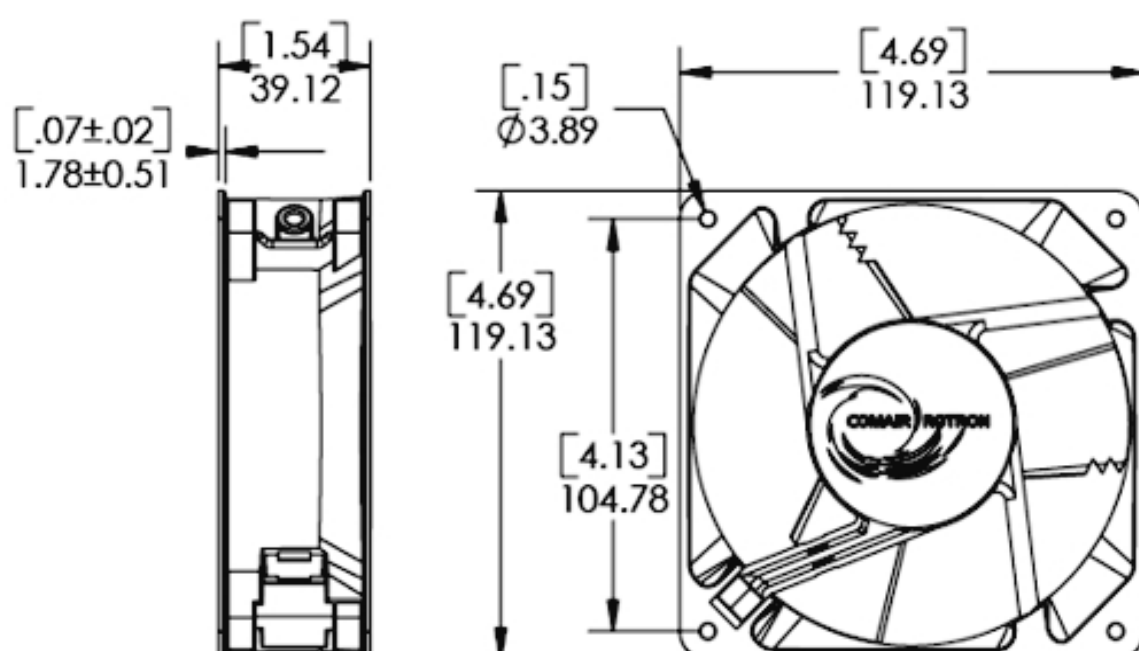
Operating Voltage:	48 Volts
Voltage Range:	24 - 56 Volts
Power Supply:	5.8 Watts
Line Current:	0.12 Amps
Locked Rotor Current:	0.40 Amps
Nominal Speed:	3100 RPM

### Mechanical Specifications

Dimensions:	4.7 x 4.7 x 1.5 in
Weight:	21.5 oz
Max Airflow @ 0 in H <sub>2</sub> O:	110.0 CFM
Max Pressure @ 0 CFM:	0.278 in H <sub>2</sub> O
Noise:	50.0 dBA



### Mechanical Drawing



Comair Rotron, Inc. Phone: 858.348.6200 FAX: 858.566.4577 sales@comairrotron.com	ThermaFlo, Inc. Phone: 972.312.8609 FAX: 972.312.8617 info@thermaflo.com	Comair Rotron Europe, Ltd. Phone: +44.1527.520525 FAX: +44.1527.520565 saleseurope@comairrotron.com	Comair Rotron Fan Company Ltd. Phone: +86.21.52260581 FAX: +86.21.52260597 salesasia@comairrotron.com
---	---	--	--

Print Date: Saturday, August 18, 2007 at 23:33:24 - DC Fan Datasheet - Web Version 1.0 Rev. B



### Fan Performance Curve

### Fan Configuration Options

<b>Muffin XL</b> (Family)	<b>MD48B1 / 028867</b> (Model) (Part #)	<b>Yes</b> (In Stock)	305 mm [12 inch] Leads (Features)
Fan Speed:	3100 RPM	Fan Bearings:	Ball Bearings
Fan Airflow Direction:	Flow L (CW Rotation)	Fan Termination:	Leads
Fan Monitoring Options:	No Fan Monitoring Options Selected		
Fan Speed Control Option:	No ThermaPro -V Fan Speed Control Options Selected		
Environmental Protection Options:	No Enviroshield Options Selected		

Comair Rotron, Inc. Phone: 858.348.6200 FAX: 858.566.4577 sales@comairrotron.com	ThermaFlo, Inc. Phone: 972.312.8609 FAX: 972.312.8617 info@thermaflo.com	Comair Rotron Europe, Ltd. Phone: +44.1527.520525 FAX: +44.1527.520565 saleseurope@comairrotron.com	Comair Rotron Fan Company Ltd. Phone: +86.21.52260581 FAX: +86.21.52260597 salesasia@comairrotron.com
---	---	--	--

Print Date: Saturday, August 18, 2007 at 23:33:24 - DC Fan Datasheet - Web Version 1.0 Rev. B



### Accessories (Click on part number for detailed drawing.)

<p>571064 Plug and Cord</p>	<p>550113 Mounting Clip</p>	<p>551590 Filter Assembly</p>	<p>554148 Filter Guard Assembly</p>
<p>552934 Finger Guard</p>	<p>476042 Finger Guard</p>	<p>550481 Finger Guard</p>	<p>551147 Finger Guard</p>

Comair Rotron, Inc. Phone: 858.348.6200 FAX: 858.566.4577 sales@comairrotron.com	ThermaFlo, Inc. Phone: 972.312.8609 FAX: 972.312.8617 info@thermaflo.com	Comair Rotron Europe, Ltd. Phone: +44.1527.520525 FAX: +44.1527.520565 saleseurope@comairrotron.com	Comair Rotron Fan Company Ltd. Phone: +86.21.52260581 FAX: +86.21.52260597 salesasia@comairrotron.com
---	---	--	--

Print Date: Saturday, August 18, 2007 at 23:33:24 - DC Fan Datasheet - Web Version 1.0 Rev. B