

# SPECIFICATIONS

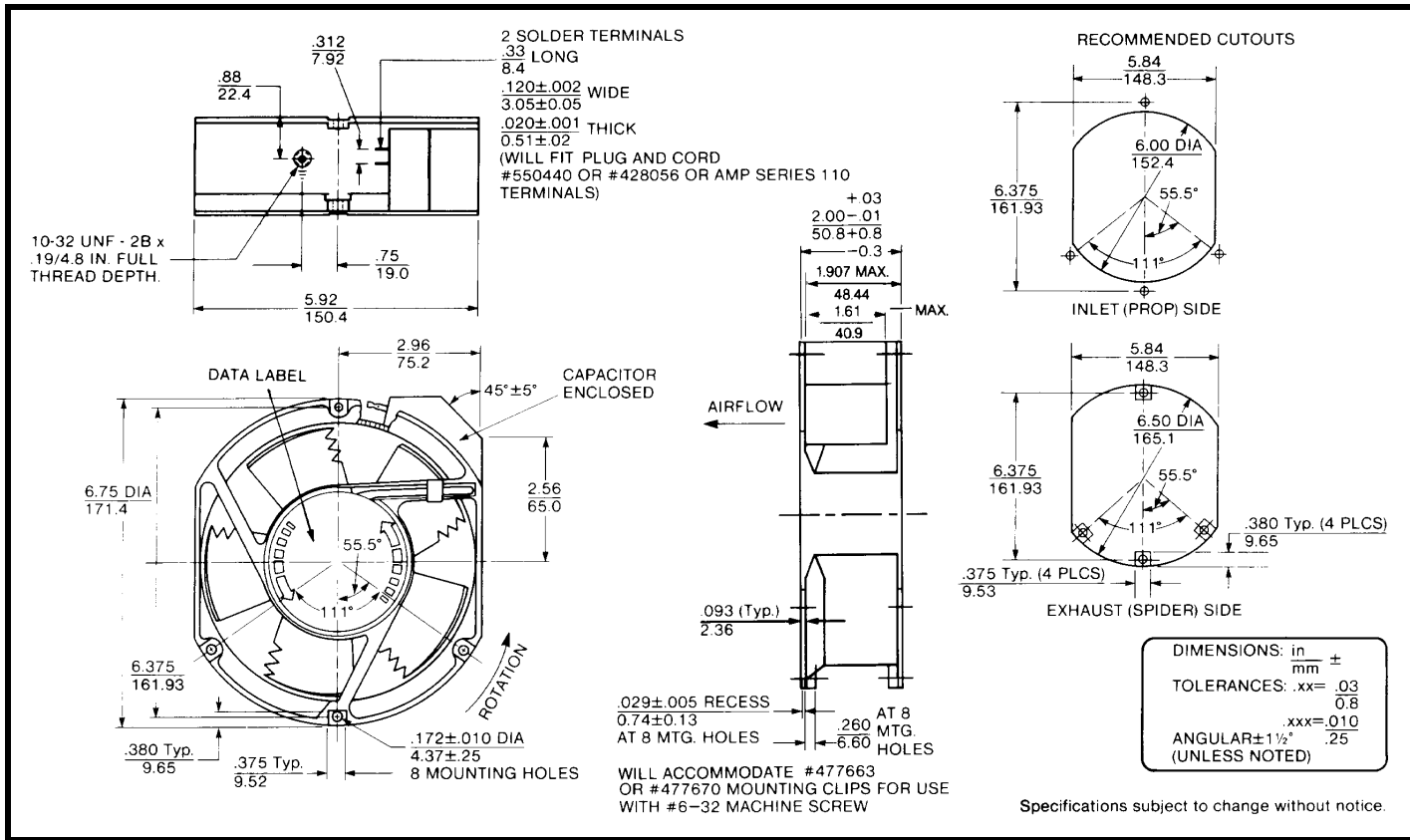
(RoHS Compliant)



**Model Number:** MR2B3  
**Part Number:** 19028245A

**Version:** 01  
**Dec 19, 2017**

## Mechanical Drawing:



### Motor:

Nominal Voltage	= 115 VAC
Frequency	= 50 / 60 Hz
Nominal Running Current	= 0.27 / 0.26 amps
Max. Locked Rotor Current	= 0.48 / 0.47 amps
Running Power	= 30 / 31 watts
Average Speed	= 2850 / 3350 RPM
Bearings	= Ball
Air Flow	= 200 / 235 CFM
Acoustic	= 52.2 / 55.8 dBA

### Construction:

Venturi: Single Piece Die Cast Aluminum, Black.  
 Propeller: Plastic, Black, UL 94V-0

### Life Expectancy:

This fan is designed for continuous duty life of 62,000 hours at 40°C.

### Additional Features:

Permanent Split Capacitor Motor  
 Thermal Protection  
 Automatic Restart  
 Impedance protected  
 Operating Temperature: -10°C to 70°C  
 Storage Temperature: -40°C to 85°C

### Agency Approvals:

UL, CUL, CE

### Additional Features:

2x0.120" Terminals

**PQ Curve:**

