

# SPECIFICATIONS

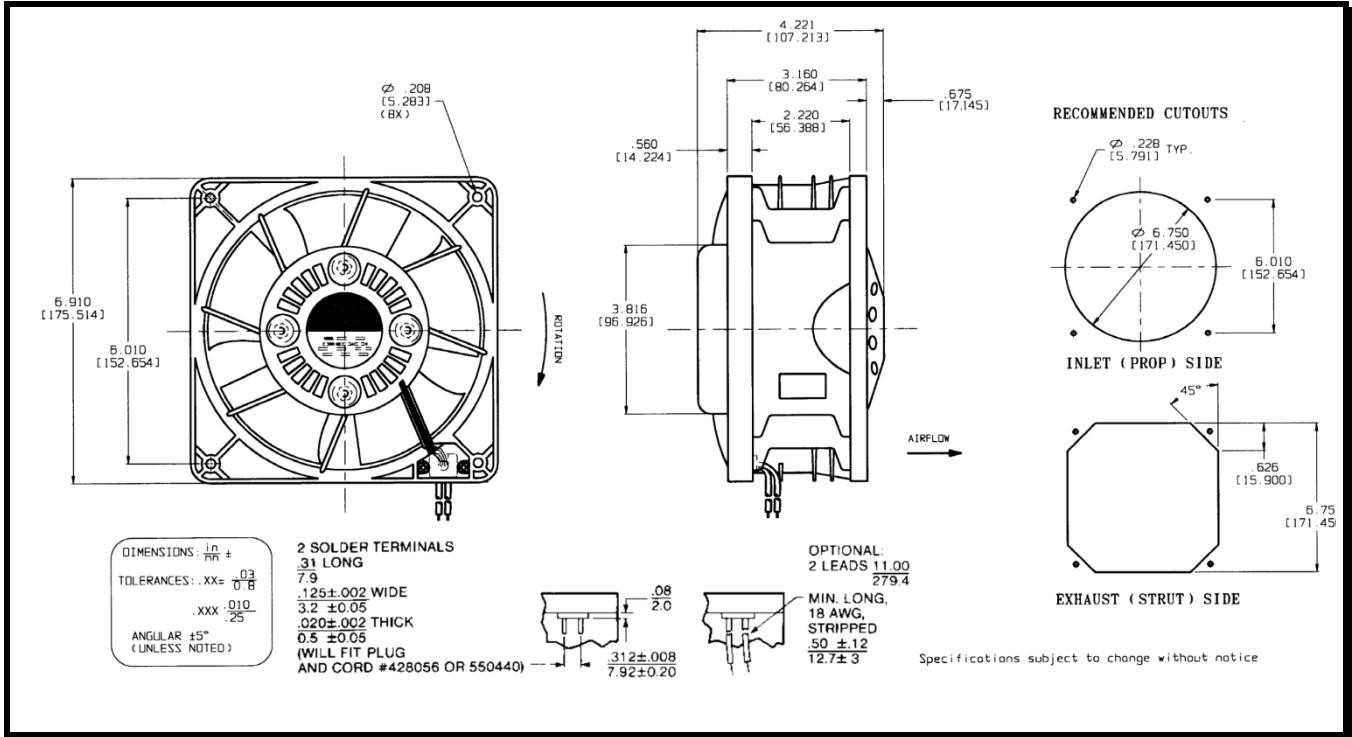
(RoHS Compliant)



**Model Number:** TNE2C  
**Part Number:** 19020169A

**Version:** 01  
**Jan 09, 2018**

## Mechanical Drawing:



### Motor:

Nominal Voltage = 115 VAC  
 Frequency = 50 / 60 Hz  
 Nominal Running Current = 0.45 / 0.49 Amps  
 Max. Locked Rotor Current = 1.25 / 1.35 Amps  
 Running Power = 48 / 59 Watts  
 Average Speed = 2820 / 3350 RPM  
 Bearings = Ball  
 Air Flow = 280 / 340 CFM  
 Acoustic = 61.6 / 65.4 dBA

### Construction:

Venturi: Plastic, Black, UL 94V-0  
 Propeller & Cover: Plastic, Black, UL 94V-0

### Life Expectancy:

This fan is designed for continuous duty life of 45,000 hours at 60°C.

### Additional Features:

Permanent Split Capacitor  
 Automatic Reset Thermal Protector  
 Thermal Shutdown Protection  
 Class B Insulation  
 Operating Temperature: -10°C to 70°C  
 Storage Temperature: -40°C to 85°C

### Termination:

12" Lead wires, 18 AWG, UL 1015

### Agency Approvals:

UL, CUL, CE

**PQ Curve:**

