



Comair Rotron Specification Sheet

Specification Date: April 19, 2017

RoHS Compliant

Version: 00

COMAIR ROTRON PART NUMBER: 17000657A
COMAIR ROTRON MODEL NUMBER: CR2258-3600E1B

A.) MOTOR:

| | |
|-------------------------------|--|
| RATED VOLTAGE: | 115 VAC |
| START VOLTAGE: | 87 VAC |
| OPERATING VOLTAGE RANGE: | 103~126 VAC |
| OPERATING FREQUENCY: | 50/60 Hz |
| MAX. RUNNING CURRENT: | 1.13 Amps |
| INPUT POWER: | 88 Watts |
| NOMINAL SPEED: | 3600 RPM \pm 10% (At Free Delivery) |
| MOTOR TYPE: | Brushless EC |
| MOTOR PROTECTION: | By Integrated Circuit |
| LOCKED ROTORT PROTECTION: | IC protected |
| POLARITY PROTECTION: | Yes |
| AUTOMATIC RESTART CAPABILITY: | By Integrated Circuit |
| ROTATION: | Clockwise when viewed from the impeller |

B.) MECHANICAL

| | |
|---------------|---|
| DIMENSIONS: | 225x225x80 mm <i>Figure 1</i> |
| WEIGHT: | 1.83 Kg |
| BEARING TYPE: | Permanently Lubricated Ball Bearings |
| VENTURI: | High quality magnesium alloy die-casting frame with ED coating& powder coating. |
| PROPELLER: | High quality magnesium alloy die-casting frame with ED coating& powder coating. |



Comair Rotron Specification Sheet

Specification Date: April 19, 2017

RoHS Compliant

Version: 00

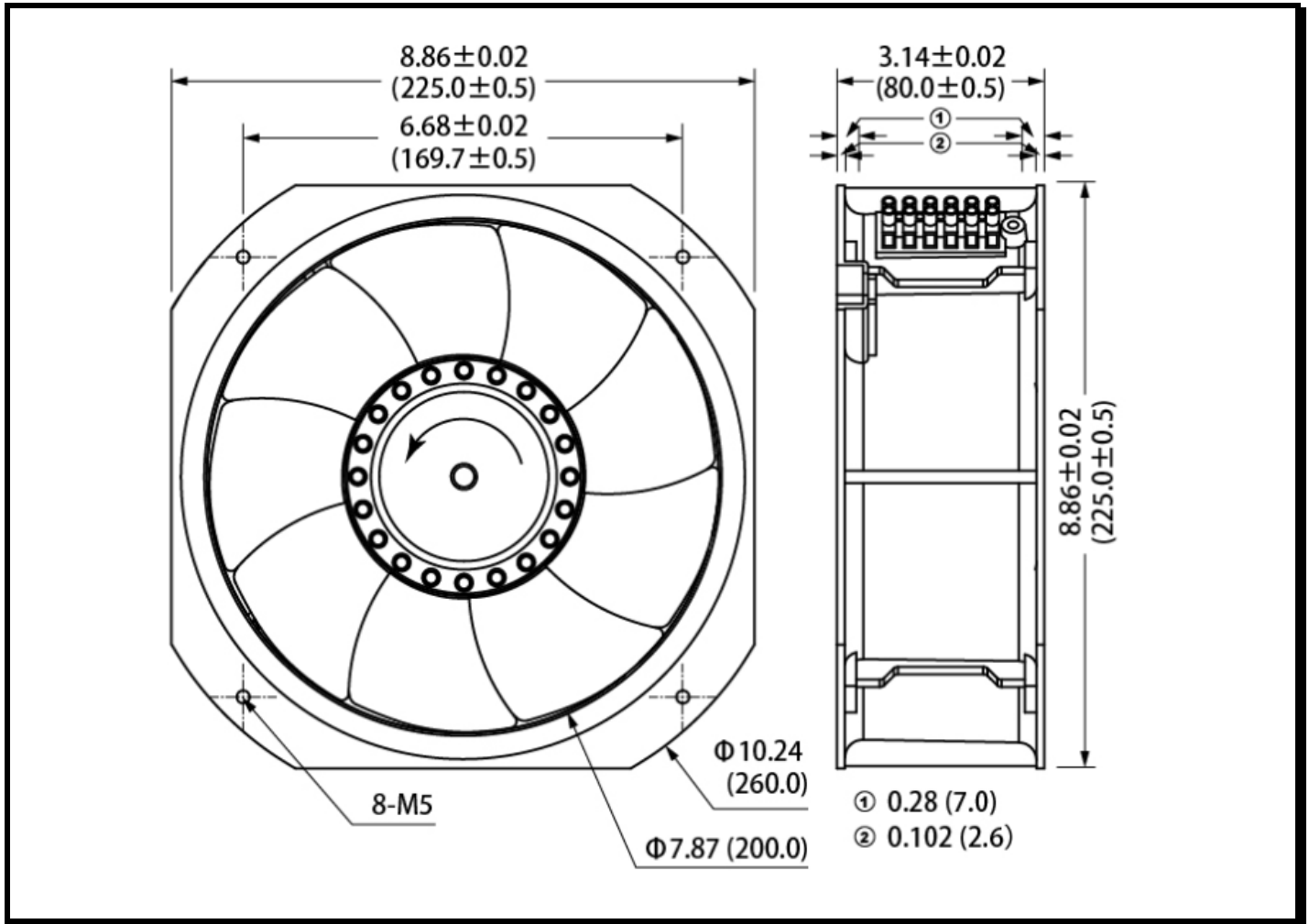


Figure 1

C.) ENVIRONMENTAL

OPERATING TEMPERATURE:

-20°C to +70°C

STORAGE TEMPERATURE:

The storage temperature will be suggested at -20°C ~ 50°C to ensure a better performance.

HUMIDITY:

20 to 85% RH, non-condensing

D.) PERFORMANCE CHARACTERISTICS

AIR FLOW:

754 CFM \pm 5%, Curve C
(At Free Delivery and MAX. speed)



Comair Rotron Specification Sheet

Specification Date: April 19, 2017

RoHS Compliant

Version: 00

STATIC PRESSURE:

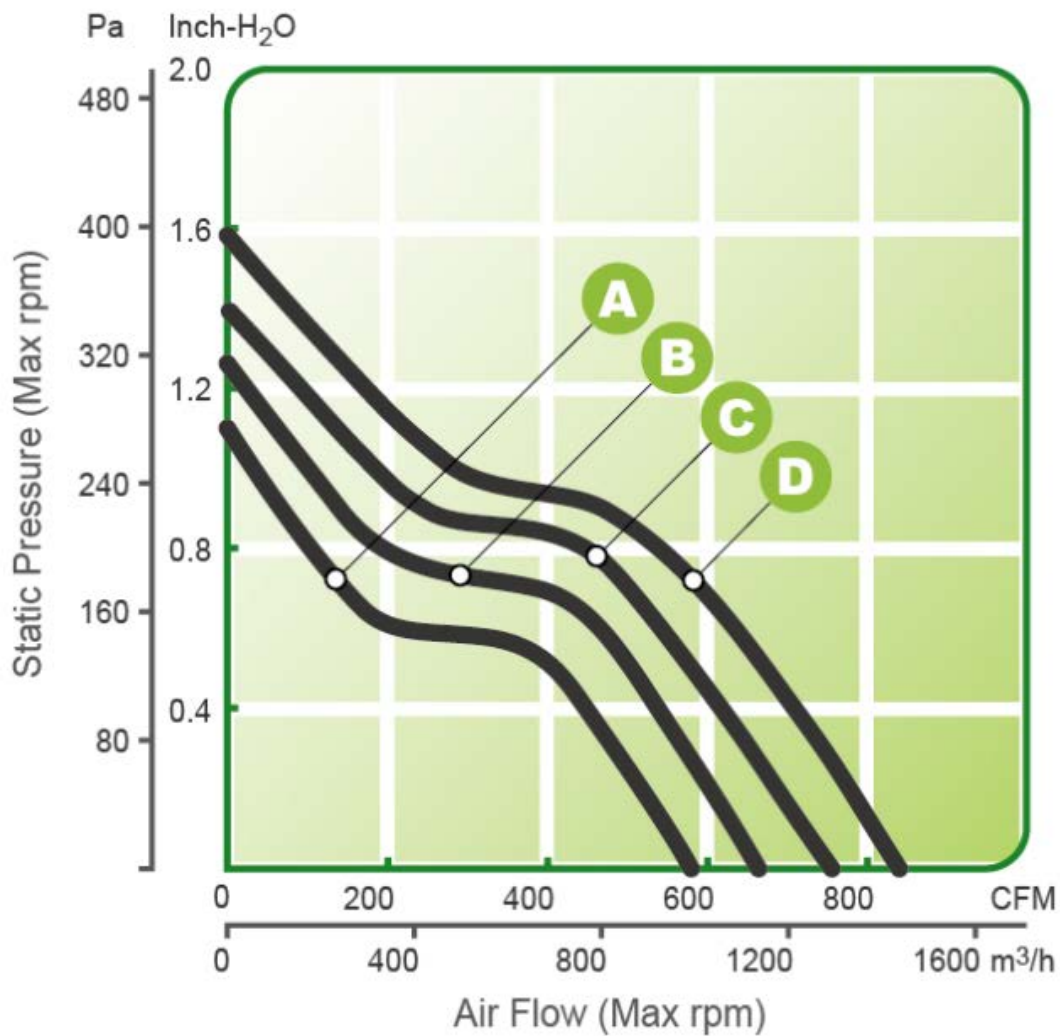
1.42" Inches of H₂O, Curve C

(At Shut-Off and MAX. speed)

ACOUSTIC LEVEL:

71 dBA Max. at MAX. speed

(Measured via Freely Suspended at 1 meter)





Comair Rotron Specification Sheet

Specification Date: April 19, 2017

RoHS Compliant

Version: 00

E.) TERMINATION

Suit with terminal block, PV1.25-3A-0.5 terminal

F.) RELIABILITY

| Bearing type | Temperature | Hours |
|---------------------|-------------|--------|
| Ball bearing | 20°C | 60,000 |
| | 40°C | 50,000 |
| | 60°C | 40,000 |
| | 90°C | 20,000 |

G.) SAFETY

UL, CUL, TUV, CE