

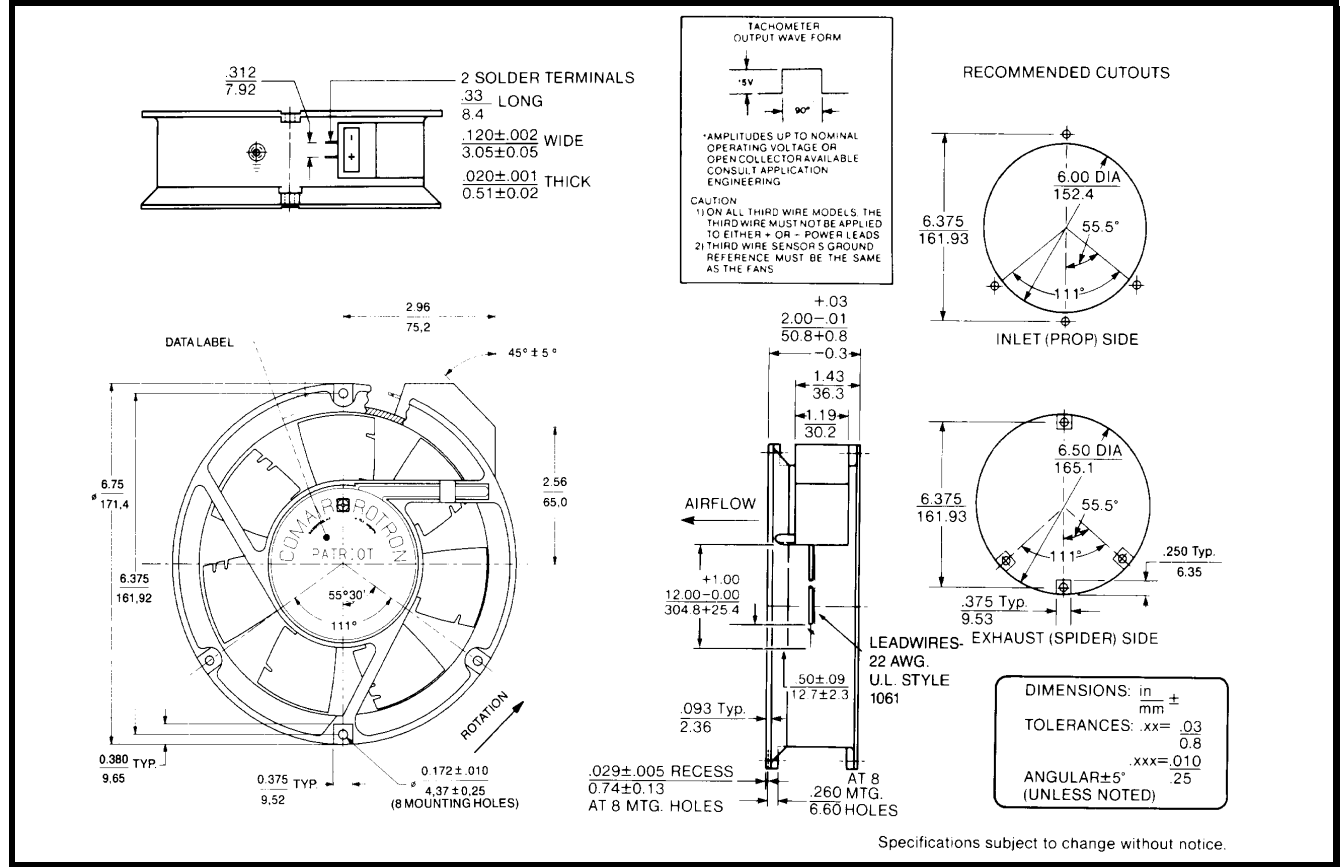
SPECIFICATIONS



Model Number: PQ12B7
Part Number: 17000339A

Version: 00
Jan. 13, 2016

Mechanical Drawing:



Motor:

Nominal Voltage	= 12 vdc
Operating Voltage Range	= 9 – 14 vdc
Nominal Running Current	= 2.260 amps
Locked Rotor Current	= 4.00 amps
Running Power	= 25.2 watts
Average Speed	= 3400 RPM
Bearings	= Ball
Air Flow	= 235 CFM
Acoustic	= 54.3 dBA

Construction:
 Venturi: Single piece, die-cast aluminum, Black
 Propeller: Plastic, Black, UL 94V-0

Life Expectancy:
 This fan is designed for continuous duty life of 75,000 hours at 40°C.

Agency Approvals:
 UL, CE

Additional Features:
 Brushless DC Motor
 Polarity Protected
 Locked Rotor Protection
 Automatic Restart Capability
 Operating Temperature: -10°C to 70°C
 Storage Temperature: -40°C to 85°C

Tachometer:

Output:	Open Collector
I _c :	20mA Max.
V _{cc} :	28vdc Max.
Isolated:	No
Pulses per Revolution:	2

Termination:
 12" Lead wires, 22 AWG, UL 1061
 Red = Fan Power (+)
 Black = Fan Ground (-)
 Blue/White = Tachometer (Output)