

# SPECIFICATIONS

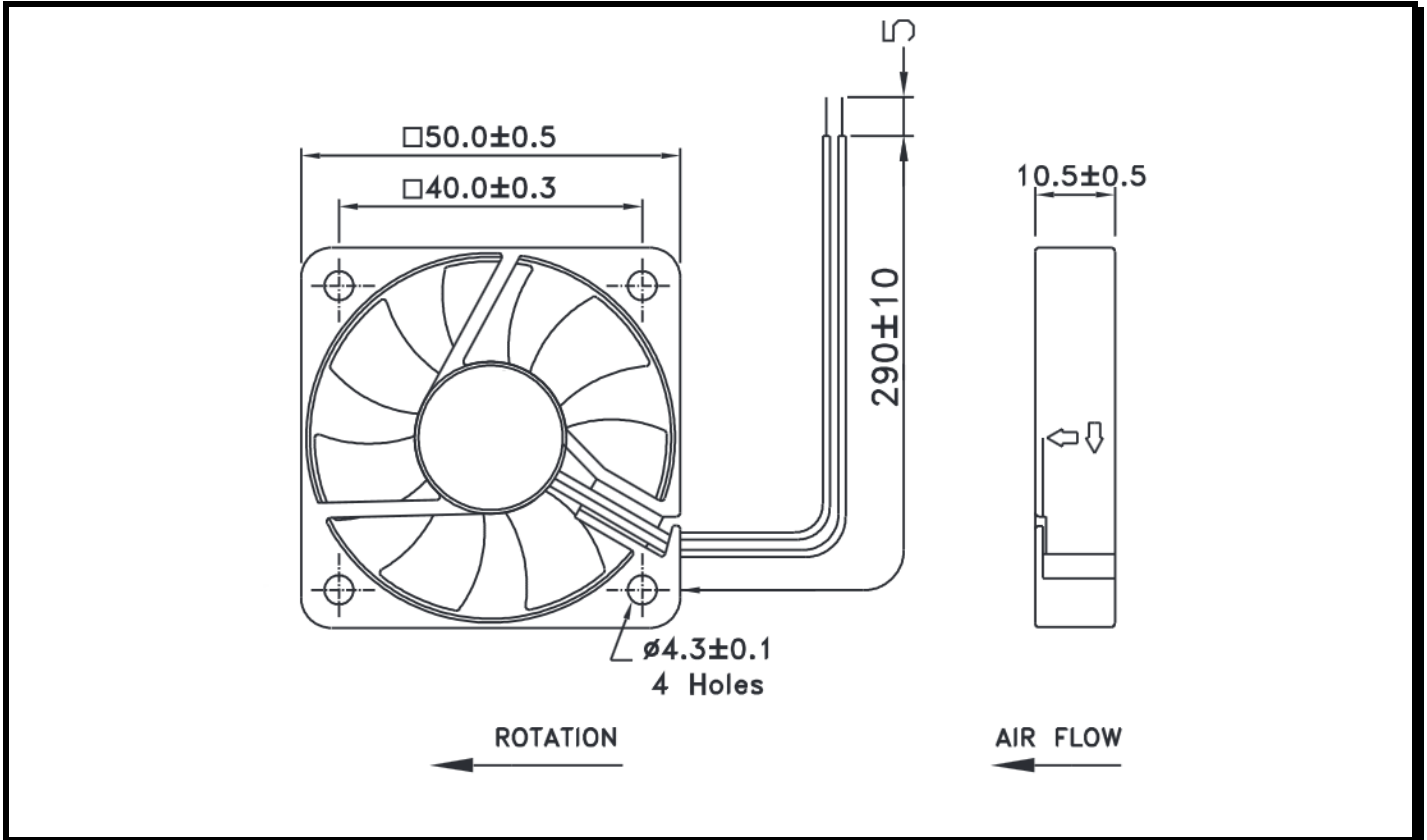
"Preliminary data"

**Model Number:** CR0505HB-G70(T)  
**Part Number:** 17000182A

**Version:**  
Apr 11, 2017



## Mechanical Drawing:



### Motor:

|                         |                                 |
|-------------------------|---------------------------------|
| Nominal Voltage         | = 5 VDC                         |
| Nominal Running Current | = 0.22 Amps                     |
| Power Input             | = 1.10 Watts                    |
| Speed                   | = 5000 RPM                      |
| Bearings                | = Ball                          |
| Air Flow                | = 10.3 CFM                      |
| Static Pressure:        | = 0.10 Inch of H <sub>2</sub> O |
| Acoustic                | = 27.5 dB(A)                    |
| Weight                  | = 18.0 g                        |

### Construction:

Housing: UL94V-0 Glass Filled Polyester (P.B.T)  
Impeller: UL94V-0 Glass Filled Polyester (P.B.T)

### Life Expectancy:

This fan is designed for continuous duty life of 70,000 hours at 40°C.

### Additional Features:

Brushless DC Motor  
Locked Rotor Protection  
Polarity Protected  
Automatic Restart Capability  
Operating Temperature: -10° C to 70° C  
Storage Temperature: -40° C to 70° C

### Termination:

290 ± 10 mm Lead wires, AWG 26, UL 1007

### Agency Approvals:

UL, CUL, TUV, CE