

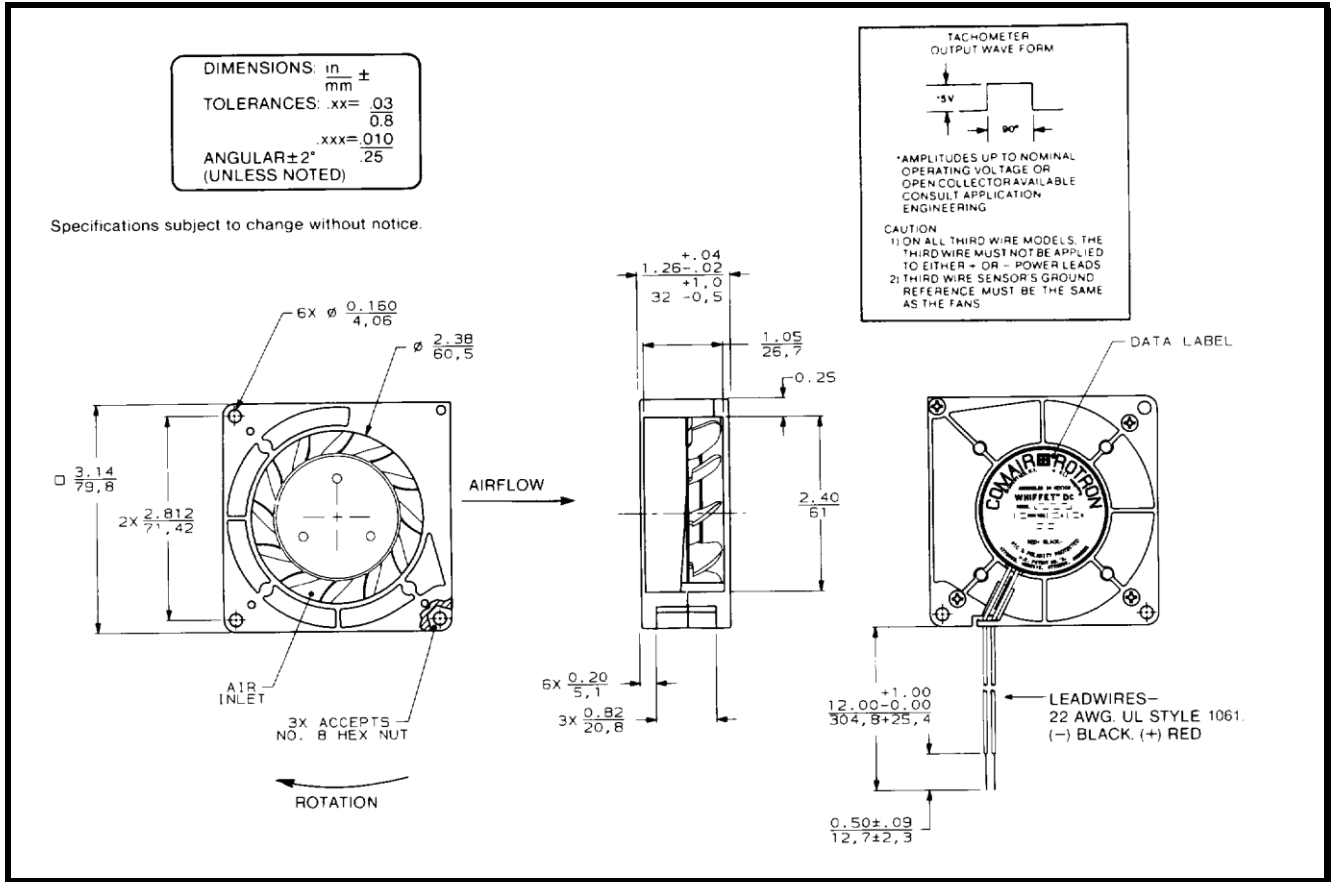
SPECIFICATIONS



Model Number: WT12Z7-E2
Part Number: 16003354A

Mar. 29, 2011

Mechanical Drawing:



Motor:

Nominal Voltage	= 12 vdc
Operating Voltage Range	= 6 - 14 vdc
Nominal Running Current	= 0.85 Amps
Max. Locked Rotor Current	= 2.80 Amps
Running Power	= 10.2 Watts
Average Speed	= 5250 RPM
Bearings	= Ball
Air Flow	= 20 CFM
Acoustic	= 51.4 dBA

Construction:

Venturi: Plastic, Black, UL 94V-0
Propeller: Polypropylene, Black, UL 94V-0

Life Expectancy:

This fan is designed for continuous duty life of 80,000 hours at 25°C.

Agency Approvals:

UL

Additional Features:

Brushless DC Motor
 Locked Rotor Protection
 Automatic Restart Capability
 Polarity Protected
 Operating Temperature: -10°C to 70°C
 Storage Temperature: -40°C to 85°C
 Enviroshield Type 2

Tachometer:

Output: 5v TTL Compatible
 I_c : 10mA Typical
 Pulses per Revolution: 2
 Isolated: No

Termination:

12" leadwires, 22AWG, UL 1061
 Red - Power (+)
 Black - Return (-)
 Blue/white - Tach