

## 110 dB, 192-kHz 8-Ch CODEC with PLL

### Features

- ◆ Eight 24-bit D/A, two 24-bit A/D Converters
- ◆ 110 dB DAC / 114 dB ADC Dynamic Range
- ◆ -100 dB THD+N
- ◆ System Sampling Rates up to 192 kHz
- ◆ Integrated Low-Jitter PLL for Increased System Jitter Tolerance
- ◆ PLL Clock or System Clock Selection
- ◆ 7 Configurable General-Purpose Outputs
- ◆ ADC High-Pass Filter for DC Offset Calibration
- ◆ Expandable ADC Channels and One-Line Mode Support
- ◆ Digital Output Volume Control with Soft Ramp
- ◆ Digital  $\pm 15$  dB Input Gain Adjust for ADC
- ◆ Differential Analog Architecture
- ◆ Supports Logic Levels between 1.8 V and 5 V

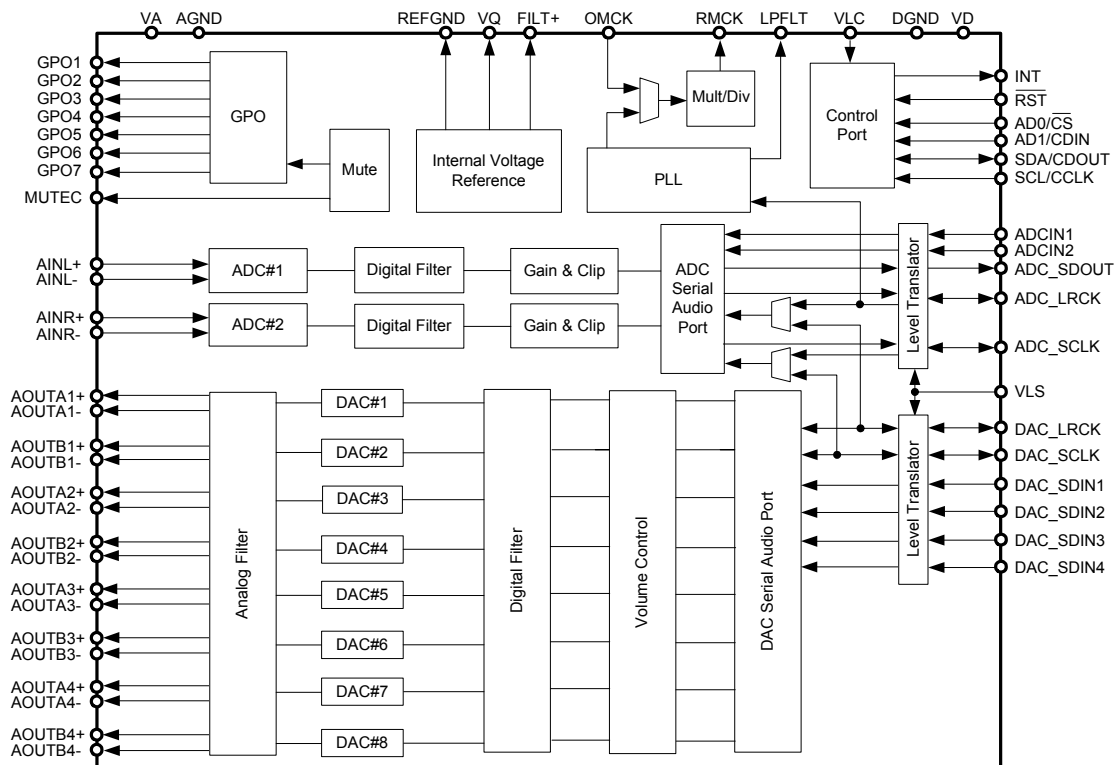
### General Description

The CS42418 provides two analog-to-digital and eight digital-to-analog delta-sigma converters, as well as an integrated PLL.

The CS42418 integrated PLL provides a low-jitter system clock. The internal stereo ADC is capable of independent channel gain control for single-ended or differential analog inputs. All eight channels of DAC provide digital volume control and differential analog outputs. The general-purpose outputs may be driven high or low, or mapped to a variety of DAC mute controls or ADC overflow indicators.

The CS42418 is ideal for audio systems requiring wide dynamic range, negligible distortion and low noise, such as A/V receivers, DVD receivers, and digital speakers.

The CS42418 is available in a 64-pin LQFP package in Commercial ( $-10^{\circ}$  to  $+70^{\circ}$  C) grades. The CDB42428 Customer Demonstration board is also available for device evaluation. Refer to [“Ordering Information”](#) on page 71.



---

**TABLE OF CONTENTS**

<b>1. CHARACTERISTICS AND SPECIFICATIONS</b> .....	<b>6</b>
SPECIFIED OPERATING CONDITIONS .....	6
ABSOLUTE MAXIMUM RATINGS .....	6
ANALOG INPUT CHARACTERISTICS .....	7
A/D DIGITAL FILTER CHARACTERISTICS .....	8
ANALOG OUTPUT CHARACTERISTICS .....	9
D/A DIGITAL FILTER CHARACTERISTICS .....	10
SWITCHING CHARACTERISTICS .....	11
SWITCHING CHARACTERISTICS - CONTROL PORT - I <sup>2</sup> C™ FORMAT .....	12
SWITCHING CHARACTERISTICS - CONTROL PORT - SPI™ FORMAT .....	13
DC ELECTRICAL CHARACTERISTICS .....	14
DIGITAL INTERFACE CHARACTERISTICS .....	15
<b>2. PIN DESCRIPTIONS</b> .....	<b>16</b>
<b>3. TYPICAL CONNECTION DIAGRAMS</b> .....	<b>18</b>
<b>4. APPLICATIONS</b> .....	<b>20</b>
4.1 Overview .....	20
4.2 Analog Inputs .....	20
4.2.1 Line-Level Inputs .....	20
4.2.2 High-Pass Filter and DC Offset Calibration .....	21
4.3 Analog Outputs .....	21
4.3.1 Line-Level Outputs and Filtering .....	21
4.3.2 Interpolation Filter .....	21
4.3.3 Digital Volume and Mute Control .....	22
4.3.4 ATAPI Specification .....	22
4.4 Clock Generation .....	23
4.4.1 PLL and Jitter Attenuation .....	23
4.4.2 OMCK System Clock Mode .....	24
4.4.3 Master Mode .....	24
4.4.4 Slave Mode .....	24
4.5 Digital Interfaces .....	25
4.5.1 Serial Audio Interface Signals .....	25
4.5.2 Serial Audio Interface Formats .....	27
4.5.3 ADCIN1/ADCIN2 Serial Data Format .....	30
4.5.4 One-Line Mode (OLM) Configurations .....	31
4.5.4.1 OLM Config #1 .....	31
4.5.4.2 OLM Config #2 .....	32
4.5.4.3 OLM Config #3 .....	33
4.5.4.4 OLM Config #4 .....	34
4.6 Control Port Description and Timing .....	34
4.6.1 SPI Mode .....	35
4.6.2 I <sup>2</sup> C Mode .....	36
4.7 Interrupts .....	37
4.8 Reset and Power-Up .....	37
4.9 Power Supply, Grounding, and PCB Layout .....	37
<b>5. REGISTER QUICK REFERENCE</b> .....	<b>39</b>
<b>6. REGISTER DESCRIPTION</b> .....	<b>42</b>
6.1 Memory Address Pointer (MAP) .....	42
6.2 Chip I.D. and Revision Register (address 01h) (Read Only) .....	42
6.3 Power Control (address 02h) .....	43
6.4 Functional Mode (address 03h) .....	43
6.5 Interface Formats (address 04h) .....	45
6.6 Misc Control (address 05h) .....	46

6.7 Clock Control (address 06h) .....	48
6.8 OMCK/PLL_CLK Ratio (address 07h) (Read Only) .....	49
6.9 Clock Status (address 08h) (Read Only) .....	50
6.10 Volume Transition Control (address 0Dh) .....	51
6.11 Channel Mute (address 0Eh) .....	52
6.12 Volume Control (addresses 0Fh, 10h, 11h, 12h, 13h, 14h, 15h, 16h) .....	53
6.13 Channel Invert (address 17h) .....	53
6.14 Mixing Control Pair 1 (Channels A1 & B1) (address 18h)	
Mixing Control Pair 2 (Channels A2 & B2) (address 19h)	
Mixing Control Pair 3 (Channels A3 & B3) (address 1Ah)	
Mixing Control Pair 4 (Channels A4 & B4) (address 1Bh) .....	53
6.15 ADC Left Channel Gain (address 1Ch) .....	55
6.16 ADC Right Channel Gain (address 1Dh) .....	55
6.17 Interrupt Control (address 1Eh) .....	55
6.18 Interrupt Status (address 20h) (Read Only) .....	56
6.19 Interrupt Mask (address 21h) .....	57
6.20 Interrupt Mode MSB (address 22h)	
Interrupt Mode LSB (address 23h) .....	57
6.21 Mute Pin Control (address 28h) .....	57
6.22 General-Purpose Pin Control (addresses 29h to 2Fh) .....	58
<b>7. PARAMETER DEFINITIONS .....</b>	<b>60</b>
<b>8. APPENDIX A: EXTERNAL FILTERS .....</b>	<b>61</b>
8.1 ADC Input Filter .....	61
8.2 DAC Output Filter .....	61
<b>9. APPENDIX B: PLL FILTER .....</b>	<b>62</b>
9.1 External Filter Components .....	62
9.1.1 General .....	62
9.1.2 Capacitor Selection .....	62
9.1.3 Circuit Board Layout .....	63
<b>10. APPENDIX C: ADC FILTER PLOTS .....</b>	<b>64</b>
<b>11. APPENDIX D: DAC FILTER PLOTS .....</b>	<b>66</b>
<b>12. PACKAGE DIMENSIONS .....</b>	<b>70</b>
THERMAL CHARACTERISTICS .....	70
<b>13. ORDERING INFORMATION .....</b>	<b>71</b>
<b>14. REFERENCES .....</b>	<b>71</b>
<b>15. REVISION HISTORY .....</b>	<b>72</b>

## LIST OF FIGURES

Figure 1. Serial Audio Port Master Mode Timing .....	11
Figure 2. Serial Audio Port Slave Mode Timing .....	11
Figure 3. Control Port Timing - I <sup>2</sup> C Format .....	12
Figure 4. Control Port Timing - SPI Format .....	13
Figure 5. Typical Connection Diagram .....	18
Figure 6. Typical Connection Diagram using the PLL .....	19
Figure 7. Full-Scale Analog Input .....	20
Figure 8. Full-Scale Output .....	21
Figure 9. ATAPI Block Diagram (x = channel pair 1, 2, 3, 4) .....	22
Figure 10. Clock Generation .....	23
Figure 11. Right-Justified Serial Audio Formats .....	27
Figure 12. I <sup>2</sup> S Serial Audio Formats .....	28
Figure 13. Left-Justified Serial Audio Formats .....	28
Figure 14. One Line Mode #1 Serial Audio Format .....	29
Figure 15. One Line Mode #2 Serial Audio Format .....	29

---

Figure 16. ADCIN1/ADCIN2 Serial Audio Format .....	30
Figure 17. OLM Configuration #1 .....	31
Figure 18. OLM Configuration #2 .....	32
Figure 19. OLM Configuration #3 .....	33
Figure 20. OLM Configuration #4 .....	35
Figure 21. Control Port Timing in SPI Mode .....	35
Figure 22. Control Port Timing, I <sup>2</sup> C Write .....	36
Figure 23. Control Port Timing, I <sup>2</sup> C Read .....	36
Figure 24. Recommended Analog Input Buffer .....	61
Figure 25. Recommended Analog Output Buffer .....	61
Figure 26. Recommended Layout Example .....	63
Figure 27. Single-Speed Mode Stopband Rejection .....	64
Figure 28. Single-Speed Mode Transition Band .....	64
Figure 29. Single-Speed Mode Transition Band (Detail) .....	64
Figure 30. Single-Speed Mode Passband Ripple .....	64
Figure 31. Double-Speed Mode Stopband Rejection .....	64
Figure 32. Double-Speed Mode Transition Band .....	64
Figure 33. Double-Speed Mode Transition Band (Detail) .....	65
Figure 34. Double-Speed Mode Passband Ripple .....	65
Figure 35. Quad-Speed Mode Stopband Rejection .....	65
Figure 36. Quad-Speed Mode Transition Band .....	65
Figure 37. Quad-Speed Mode Transition Band (Detail) .....	65
Figure 38. Quad-Speed Mode Passband Ripple .....	65
Figure 39. Single-Speed (fast) Stopband Rejection .....	66
Figure 40. Single-Speed (fast) Transition Band .....	66
Figure 41. Single-Speed (fast) Transition Band (detail) .....	66
Figure 42. Single-Speed (fast) Passband Ripple .....	66
Figure 43. Single-Speed (slow) Stopband Rejection .....	66
Figure 44. Single-Speed (slow) Transition Band .....	66
Figure 45. Single-Speed (slow) Transition Band (detail) .....	67
Figure 46. Single-Speed (slow) Passband Ripple .....	67
Figure 47. Double-Speed (fast) Stopband Rejection .....	67
Figure 48. Double-Speed (fast) Transition Band .....	67
Figure 49. Double-Speed (fast) Transition Band (detail) .....	67
Figure 50. Double-Speed (fast) Passband Ripple .....	67
Figure 51. Double-Speed (slow) Stopband Rejection .....	68
Figure 52. Double-Speed (slow) Transition Band .....	68
Figure 53. Double-Speed (slow) Transition Band (detail) .....	68
Figure 54. Double-Speed (slow) Passband Ripple .....	68
Figure 55. Quad-Speed (fast) Stopband Rejection .....	68
Figure 56. Quad-Speed (fast) Transition Band .....	68
Figure 57. Quad-Speed (fast) Transition Band (detail) .....	69
Figure 58. Quad-Speed (fast) Passband Ripple .....	69
Figure 59. Quad-Speed (slow) Stopband Rejection .....	69
Figure 60. Quad-Speed (slow) Transition Band .....	69
Figure 61. Quad-Speed (slow) Transition Band (detail) .....	69
Figure 62. Quad-Speed (slow) Passband Ripple .....	69

---

**LIST OF TABLES**

Table 1. Common OMCK Clock Frequencies .....	24
Table 2. Common PLL Output Clock Frequencies.....	24
Table 3. Slave Mode Clock Ratios .....	25
Table 4. Serial Audio Port Channel Allocations .....	26
Table 5. DAC De-Emphasis .....	44
Table 6. Digital Interface Formats .....	45
Table 7. ADC One-Line Mode .....	45
Table 8. DAC One-Line Mode .....	45
Table 9. RMCK Divider Settings .....	48
Table 10. OMCK Frequency Settings .....	48
Table 11. Master Clock Source Select.....	49
Table 12. PLL Clock Frequency Detection.....	50
Table 13. Example Digital Volume Settings .....	53
Table 14. ATAPI Decode .....	54
Table 15. Example ADC Input Gain Settings .....	55
Table 16. PLL External Component Values .....	62

## 1. CHARACTERISTICS AND SPECIFICATIONS

(All Min/Max characteristics and specifications are guaranteed over the Specified Operating Conditions. Typical performance characteristics and specifications are derived from measurements taken at nominal supply voltages and  $T_A = 25^\circ \text{C}$ .)

### SPECIFIED OPERATING CONDITIONS

(AGND=DGND=0, all voltages with respect to ground; OMCK=12.288 MHz; Master Mode)

Parameter	Symbol	Min	Typ	Max	Units	
DC Power Supply	Analog	VA	4.75	5.0	5.25	V
	Digital	VD	3.13	3.3	5.25	V
	Serial Port Interface	VLS	1.8	5.0	5.25	V
	Control Port Interface	VLC	1.8	5.0	5.25	V
Ambient Operating Temperature (power applied)	$T_A$	-10	-	+70	$^\circ\text{C}$	

### ABSOLUTE MAXIMUM RATINGS

(AGND = DGND = 0 V; all voltages with respect to ground.)

Parameters	Symbol	Min	Max	Units	
DC Power Supply	Analog	VA	-0.3	6.0	V
	Digital	VD	-0.3	6.0	V
	Serial Port Interface	VLS	-0.3	6.0	V
	Control Port Interface	VLC	-0.3	6.0	V
Input Current	(Note 1) $I_{in}$	-	$\pm 10$	mA	
Analog Input Voltage	(Note 2) $V_{IN}$	AGND-0.7	VA+0.7	V	
Digital Input Voltage	Serial Port Interface	$V_{IND-S}$	-0.3	VLS+ 0.4	V
	Control Port Interface	$V_{IND-C}$	-0.3	VLC+ 0.4	V
Ambient Operating Temperature(power applied)	$T_A$	-20	+85	$^\circ\text{C}$	
	$T_A$	-50	+95	$^\circ\text{C}$	
Storage Temperature	$T_{stg}$	-65	+150	$^\circ\text{C}$	

**WARNING:** Operation at or beyond these limits may result in permanent damage to the device. Normal operation is not guaranteed at these extremes.

#### Notes:

- Any pin except supplies. Transient currents of up to  $\pm 100$  mA on the analog input pins will not cause SCR latch-up.
- The maximum over/under voltage is limited by the input current.

## ANALOG INPUT CHARACTERISTICS

( $T_A = 25^\circ\text{C}$ ;  $V_A = 5\text{ V}$ ,  $V_D = 3.3\text{ V}$ , Logic “0” = DGND =AGND = 0 V; Logic “1” = VLS = VLC = 5 V; Measurement Bandwidth is 10 Hz to 20 kHz unless otherwise specified. Full-scale input sine wave, 997 Hz.; PDN\_PLL = 1; OMCK = 12.288 MHz; Single-Speed Mode DAC\_SCLK = 3.072 MHz; Double-Speed Mode DAC\_SCLK = 6.144 MHz; Quad-Speed Mode DAC\_SCLK = 12.288 MHz.)

Parameter	Symbol	Min	Typ	Max	Unit
<b>Single-Speed Mode (Fs=48 kHz)</b>					
Dynamic Range	A-weighted	108	114	-	dB
	unweighted	105	111	-	dB
Total Harmonic Distortion + Noise (Note 3)	-1 dB	-	-100	-94	dB
	-20 dB	-	-91	-	dB
	-60 dB	-	-51	-	dB
<b>Double-Speed Mode (Fs=96 kHz)</b>					
Dynamic Range	A-weighted	108	114	-	dB
	unweighted	105	111	-	dB
	40 kHz bandwidth unweighted	-	108	-	dB
Total Harmonic Distortion + Noise (Note 3)	-1 dB	-	-100	-94	dB
	-20 dB	-	-91	-	dB
	-60 dB	-	-51	-	dB
	40 kHz bandwidth	-	-97	-	dB
<b>Quad-Speed Mode (Fs=192 kHz)</b>					
Dynamic Range	A-weighted	108	114	-	dB
	unweighted	105	111	-	dB
	40 kHz bandwidth unweighted	-	108	-	dB
Total Harmonic Distortion+ Noise (Note 3)	-1 dB	-	-100	-94	dB
	-20 dB	-	-91	-	dB
	-60 dB	-	-51	-	dB
	40 kHz bandwidth	-	-97	-	dB
<b>Dynamic Performance for All Modes</b>					
Interchannel Isolation		-	110	-	dB
Interchannel Phase Deviation		-	0.0001	-	Degree
<b>DC Accuracy</b>					
Interchannel Gain Mismatch		-	0.1	-	dB
Gain Drift		-	+/-100	-	ppm/°C
Offset Error	HPF_FREEZE disabled	-	0	-	LSB
	HPF_FREEZE enabled	-	100	-	LSB
<b>Analog Input</b>					
Full-scale Differential Input Voltage		1.05 VA	1.10 VA	1.16 VA	Vpp
Input Impedance (Differential) (Note 4)		17	-	-	kΩ
Common Mode Rejection Ratio	CMRR	-	82	-	dB

### Notes:

3. Referred to the typical full-scale voltage.
4. Measured between AIN+ and AIN-

**A/D DIGITAL FILTER CHARACTERISTICS**

Parameter	Symbol	Min	Typ	Max	Unit
<b>Single-Speed Mode (2 to 50 kHz sample rates)</b>					
Passband (-0.1 dB) (Note 5)		0	-	0.47	Fs
Passband Ripple		-	-	±0.035	dB
Stopband (Note 5)		0.58	-	-	Fs
Stopband Attenuation		-95	-	-	dB
Total Group Delay (Fs = Output Sample Rate)	$t_{gd}$	-	12/Fs	-	s
Group Delay Variation vs. Frequency	$\Delta t_{gd}$	-	-	0.0	μs
<b>Double-Speed Mode (50 to 100 kHz sample rates)</b>					
Passband (-0.1 dB) (Note 5)		0	-	0.45	Fs
Passband Ripple		-	-	±0.035	dB
Stopband (Note 5)		0.68	-	-	Fs
Stopband Attenuation		-92	-	-	dB
Total Group Delay (Fs = Output Sample Rate)	$t_{gd}$	-	9/Fs	-	s
Group Delay Variation vs. Frequency	$\Delta t_{gd}$	-	-	0.0	μs
<b>Quad-Speed Mode (100 to 192 kHz sample rates)</b>					
Passband (-0.1 dB) (Note 5)		0	-	0.24	Fs
Passband Ripple		-	-	±0.035	dB
Stopband (Note 5)		0.78	-	-	Fs
Stopband Attenuation		-97	-	-	dB
Total Group Delay (Fs = Output Sample Rate)	$t_{gd}$	-	5/Fs	-	s
Group Delay Variation vs. Frequency	$\Delta t_{gd}$	-	-	0.0	μs
<b>High-Pass Filter Characteristics</b>					
Frequency Response -3.0 dB		-	1	-	Hz
-0.13 dB (Note 6)		-	20	-	Hz
Phase Deviation @ 20 Hz (Note 6)		-	10	-	Deg
Passband Ripple		-	-	0	dB
Filter Setting Time		-	10 <sup>9</sup> /Fs	-	s

**Notes:**

5. The filter frequency response scales precisely with Fs.
6. Response shown is for Fs equal to 48 kHz. Filter characteristics scale with Fs.



## ANALOG OUTPUT CHARACTERISTICS

( $T_A = 25^\circ\text{C}$ ;  $V_A = 5\text{ V}$ ,  $V_D = 3.3\text{ V}$ , Logic “0” = DGND = AGND = 0 V; Logic “1” = VLS = VLC = 5V; Measurement Bandwidth 10 Hz to 20 kHz unless otherwise specified.; Full-scale output 997 Hz sine wave, Test load  $R_L = 3\text{ k}\Omega$ ,  $C_L = 30\text{ pF}$ ; PDN\_PLL = 1; OMCK = 12.288 MHz; Single-Speed Mode, DAC\_SCLK = 3.072 MHz; Double-Speed Mode, DAC\_SCLK = 6.144 MHz; Quad-Speed Mode, DAC\_SCLK = 12.288 MHz.)

Parameter	Symbol	Min	Typ	Max	Unit
<b>Dynamic performance for all modes</b>					
Dynamic Range (Note 7)					
24-bit A-Weighted unweighted		104	110	-	dB
16-bit A-Weighted (Note 8) unweighted		101	107	-	dB
		-	97	-	dB
		-	94	-	dB
Total Harmonic Distortion + Noise					
24-bit 0 dB	THD+N	-	-100	-94	dB
24-bit -20 dB		-	-91	-	dB
24-bit -60 dB		-	-51	-	dB
16-bit 0 dB		-	-94	-	dB
16-bit (Note 8) -20 dB		-	-74	-	dB
16-bit (Note 8) -60 dB		-	-34	-	dB
Idle Channel Noise/Signal-to-Noise Ratio (A-Weighted)		-	110	-	dB
Interchannel Isolation (1 kHz)		-	90	-	dB
<b>Analog Output Characteristics for all modes</b>					
Unloaded Full-Scale Differential Output Voltage	$V_{FS}$	.89 VA	.94 VA	.99 VA	Vpp
Interchannel Gain Mismatch		-	0.1	-	dB
Gain Drift		-	300	-	ppm/°C
Output Impedance	$Z_{OUT}$	-	150	-	$\Omega$
AC-Load Resistance	$R_L$	3	-	-	k $\Omega$
Load Capacitance	$C_L$	-	-	30	pF

### Notes:

7. One LSB of triangular PDF dither is added to data.
8. Performance limited by 16-bit quantization noise.

**D/A DIGITAL FILTER CHARACTERISTICS**

Parameter	Fast Roll-Off			Slow Roll-Off			Unit	
	Min	Typ	Max	Min	Typ	Max		
<b>Combined Digital and On-chip Analog Filter Response - Single-Speed Mode - 48 kHz</b>								
Passband (Note 9)	to -0.01 dB corner	0	-	0.4535	0	-	0.4166	Fs
	to -3 dB corner	0	-	0.4998	0	-	0.4998	Fs
Frequency Response 10 Hz to 20 kHz	-0.01	-	+0.01	-0.01	-	+0.01		dB
StopBand	0.5465	-	-	0.5834	-	-		Fs
StopBand Attenuation (Note 10)	90	-	-	64	-	-		dB
Group Delay	-	12/Fs	-	-	6.5/Fs	-		s
Passband Group Delay Deviation 0 - 20 kHz	-	-	±0.41/Fs	-	-	±0.14/Fs		s
De-emphasis Error (Note 11) (Relative to 1 kHz)	Fs = 32 kHz	-	-	±0.23	-	-	±0.23	dB
	Fs = 44.1 kHz	-	-	±0.14	-	-	±0.14	dB
	Fs = 48 kHz	-	-	±0.09	-	-	±0.09	dB
<b>Combined Digital and On-chip Analog Filter Response - Double-Speed Mode - 96 kHz</b>								
Passband (Note 9)	to -0.01 dB corner	0	-	0.4166	0	-	0.2083	Fs
	to -3 dB corner	0	-	0.4998	0	-	0.4998	Fs
Frequency Response 10 Hz to 20 kHz	-0.01	-	0.01	-0.01	-	0.01		dB
StopBand	0.5834	-	-	0.7917	-	-		Fs
StopBand Attenuation (Note 10)	80	-	-	70	-	-		dB
Group Delay	-	4.6/Fs	-	-	3.9/Fs	-		s
Passband Group Delay Deviation 0 - 20 kHz	-	-	±0.03/Fs	-	-	±0.01/Fs		s
<b>Combined Digital and On-chip Analog Filter Response - Quad-Speed Mode - 192 kHz</b>								
Passband (Note 9)	to -0.01 dB corner	0	-	0.1046	0	-	0.1042	Fs
	to -3 dB corner	0	-	0.4897	0	-	0.4813	Fs
Frequency Response 10 Hz to 20 kHz	-0.01	-	0.01	-0.01	-	0.01		dB
StopBand	0.6355	-	-	0.8683	-	-		Fs
StopBand Attenuation (Note 10)	90	-	-	75	-	-		dB
Group Delay	-	4.7/Fs	-	-	4.2/Fs	-		s
Passband Group Delay Deviation 0 - 20 kHz	-	-	±0.01/Fs	-	-	±0.01/Fs		s

**Notes:**

9. Response is clock dependent and will scale with Fs. Note that the response plots (Figures 39 to 62) have been normalized to Fs and can be de-normalized by multiplying the X-axis scale by Fs.
10. Single- and Double-Speed Mode Measurement Bandwidth is from stopband to 3 Fs.  
Quad-Speed Mode Measurement Bandwidth is from stopband to 1.34 Fs.
11. De-emphasis is available only in Single-Speed Mode.

## SWITCHING CHARACTERISTICS

( $T_A = -10$  to  $+70^\circ\text{C}$ ;  $V_A = 5\text{ V}$ ,  $V_D = V_{LC} = 3.3\text{ V}$ ,  $V_{LS} = 1.8\text{ V}$  to  $5.25\text{ V}$ ; Inputs: Logic 0 = DGND, Logic 1 = VLS,  $C_L = 30\text{ pF}$ )

Parameters	Symbol	Min	Typ	Max	Units
$\overline{\text{RST}}$ Pin Low Pulse Width (Note 12)		1	-	-	ms
PLL Clock Recovery Sample Rate Range		30	-	200	kHz
RMCK Output Jitter (Note 14)		-	200	-	ps RMS
RMCK Output Duty Cycle (Note 15)		45	50	55	%
OMCK Frequency (Note 13)		1.024	-	25.600	MHz
OMCK Duty Cycle (Note 13)		40	50	60	%
DAC_SCLK, ADC_SCLK Duty Cycle		45	50	55	%
DAC_LRCK, ADC_LRCK Duty Cycle		45	50	55	%
<b>Master Mode</b>					
RMCK to DAC_SCLK, ADC_SCLK active edge delay	$t_{\text{smd}}$	0	-	15	ns
RMCK to DAC_LRCK, ADC_LRCK delay	$t_{\text{imd}}$	0	-	15	ns
<b>Slave Mode</b>					
DAC_SCLK, ADC_SCLK Falling Edge to ADC_SDOUT, ADC_SDOUT Output Valid	$t_{\text{dpd}}$		-	(Note 16)	ns
DAC_LRCK, ADC_LRCK Edge to MSB Valid	$t_{\text{lrpd}}$		-	26.5	ns
DAC_SDIN Setup Time Before DAC_SCLK Rising Edge	$t_{\text{ds}}$	10	-	-	ns
DAC_SDIN Hold Time After DAC_SCLK Rising Edge	$t_{\text{dh}}$	30	-	-	ns
DAC_SCLK, ADC_SCLK High Time	$t_{\text{sckh}}$	20	-	-	ns
DAC_SCLK, ADC_SCLK Low Time	$t_{\text{sckl}}$	20	-	-	ns
DAC_SCLK, ADC_SCLK falling to DAC_LRCK, SAI_LRCK Edge	$t_{\text{lrck}}$	-25	-	+25	ns

### Notes:

- After powering-up the CS42418,  $\overline{\text{RST}}$  should be held low after the power supplies and clocks are settled.
- See [Table 1 on page 24](#) for suggested OMCK frequencies
- Limit the loading on RMCK to 1 CMOS load if operating above 24.576 MHz.
- Not valid when RMCK\_DIV in “Clock Control (address 06h)” on [page 48](#) is set to Multiply by 2.
- 76.5 ns for Single-Speed and Double-Speed modes, 23 ns for Quad-Speed Mode.

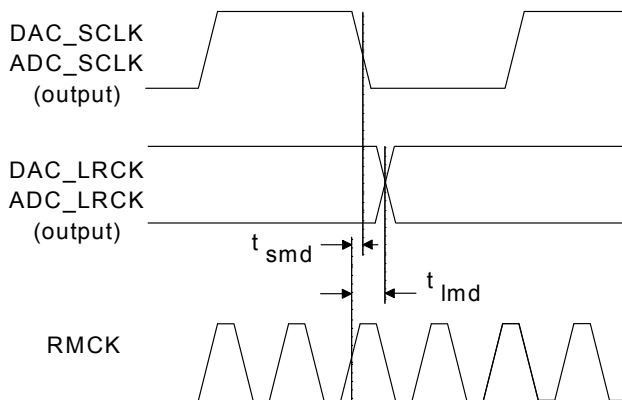


Figure 1. Serial Audio Port Master Mode Timing

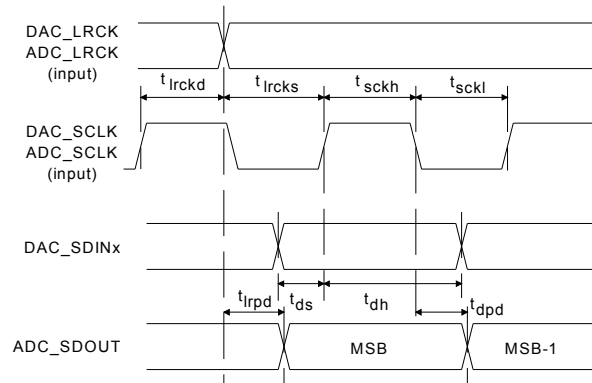


Figure 2. Serial Audio Port Slave Mode Timing

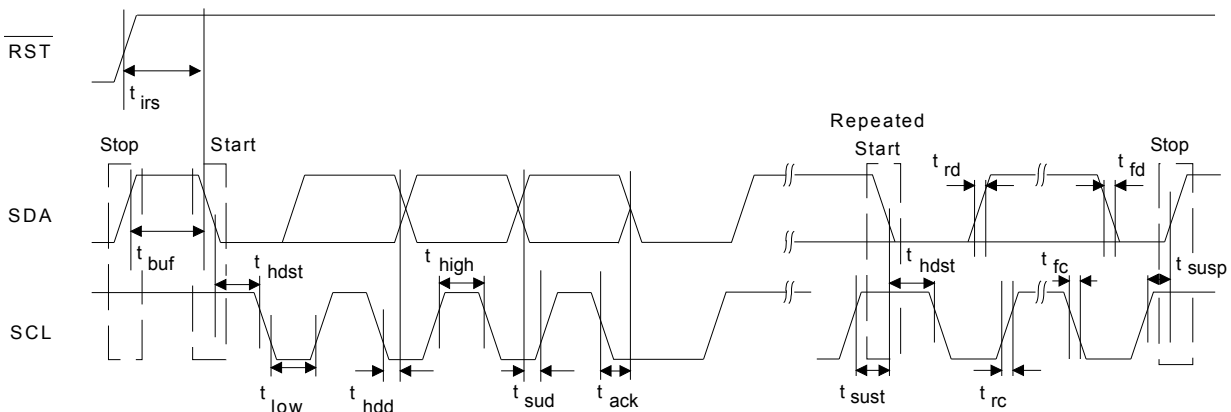
**SWITCHING CHARACTERISTICS - CONTROL PORT - I<sup>2</sup>C™ FORMAT**

(T<sub>A</sub> = -10 to +70° C; V<sub>A</sub> = 5 V, V<sub>D</sub> = V<sub>LS</sub> = 3.3 V; V<sub>LC</sub> = 1.8 V to 5.25 V; Inputs: Logic 0 = DGND, Logic 1 = VLC, C<sub>L</sub> = 30 pF)

Parameter	Symbol	Min	Max	Unit
SCL Clock Frequency	f <sub>scl</sub>	-	100	kHz
RST Rising Edge to Start	t <sub>irs</sub>	500	-	ns
Bus Free Time Between Transmissions	t <sub>buf</sub>	4.7	-	μs
Start Condition Hold Time (prior to first clock pulse)	t <sub>hdst</sub>	4.0	-	μs
Clock Low time	t <sub>low</sub>	4.7	-	μs
Clock High Time	t <sub>high</sub>	4.0	-	μs
Setup Time for Repeated Start Condition	t <sub>sust</sub>	4.7	-	μs
SDA Hold Time from SCL Falling (Note 17)	t <sub>hdd</sub>	0	-	μs
SDA Setup time to SCL Rising	t <sub>sud</sub>	250	-	ns
Rise Time of SCL and SDA	t <sub>rc</sub>	-	1	μs
Fall Time SCL and SDA	t <sub>fc</sub>	-	300	ns
Setup Time for Stop Condition	t <sub>susp</sub>	4.7	-	μs
Acknowledge Delay from SCL Falling (Note 18)	t <sub>ack</sub>	-	(Note 19)	ns

**Notes:**

17. Data must be held for sufficient time to bridge the transition time, t<sub>fc</sub>, of SCL.
18. The acknowledge delay is based on MCLK and can limit the maximum transaction speed.
19.  $\frac{15}{256 \times F_s}$  for Single-Speed Mode,  $\frac{15}{128 \times F_s}$  for Double-Speed Mode,  $\frac{15}{64 \times F_s}$  for Quad-Speed Mode


**Figure 3. Control Port Timing - I<sup>2</sup>C Format**

**SWITCHING CHARACTERISTICS - CONTROL PORT - SPI™ FORMAT**

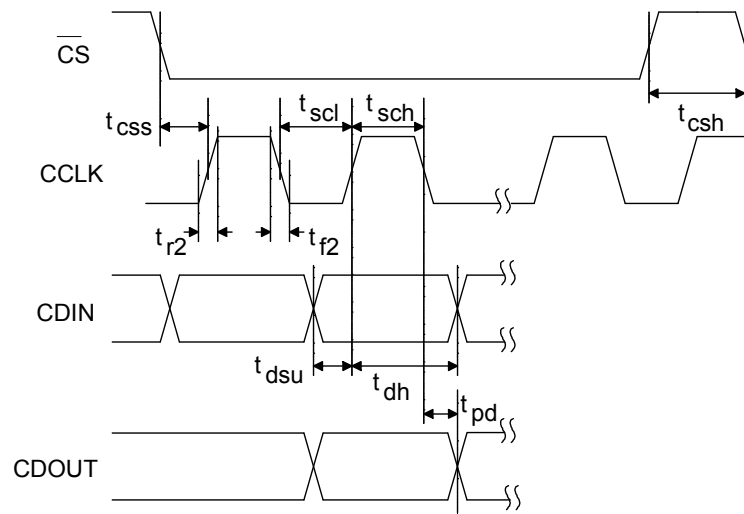
( $T_A = -10$  to  $+70^\circ\text{C}$ ;  $V_A = 5\text{ V}$ ,  $V_D = V_{LS} = 3.3\text{ V}$ ;  $V_{LC} = 1.8\text{ V}$  to  $5.25\text{ V}$ ; Inputs: Logic 0 = DGND, Logic 1 = VLC,  $C_L = 30\text{ pF}$ )

Parameter	Symbol	Min	Typ	Max	Units
CCLK Clock Frequency	$f_{\text{sck}}$	0	-	6.0	MHz
$\overline{\text{CS}}$ High Time Between Transmissions	$t_{\text{csh}}$	1.0	-	-	$\mu\text{s}$
$\overline{\text{CS}}$ Falling to CCLK Edge	$t_{\text{css}}$	20	-	-	ns
CCLK Low Time	$t_{\text{scl}}$	66	-	-	ns
CCLK High Time	$t_{\text{sch}}$	66	-	-	ns
CDIN to CCLK Rising Setup Time	$t_{\text{dsu}}$	40	-	-	ns
CCLK Rising to DATA Hold Time	(Note 20) $t_{\text{dh}}$	15	-	-	ns
CCLK Falling to CDOUT Stable	$t_{\text{pd}}$	-	-	50	ns
Rise Time of CDOUT	$t_{\text{r1}}$	-	-	25	ns
Fall Time of CDOUT	$t_{\text{f1}}$	-	-	25	ns
Rise Time of CCLK and CDIN	(Note 21) $t_{\text{r2}}$	-	-	100	ns
Fall Time of CCLK and CDIN	(Note 21) $t_{\text{f2}}$	-	-	100	ns

**Notes:**

20. Data must be held for sufficient time to bridge the transition time of CCLK.

21. For  $f_{\text{sck}} < 1\text{ MHz}$ .



**Figure 4. Control Port Timing - SPI Format**

**DC ELECTRICAL CHARACTERISTICS**

(T<sub>A</sub> = 25° C; AGND=DGND=0, all voltages with respect to ground; OMCK=12.288 MHz; Master Mode)

Parameter	Symbol	Min	Typ	Max	Units	
Power Supply Current (Note 22)	normal operation, V <sub>A</sub> = 5 V	I <sub>A</sub>	-	75	-	mA
	VD = 5 V	I <sub>D</sub>	-	85	-	mA
	VD = 3.3 V	I <sub>D</sub>	-	51	-	mA
	Interface current, V <sub>LC</sub> =5 V (Note 23)	I <sub>LC</sub>	-	250	-	μA
	V <sub>LS</sub> =5 V	I <sub>LS</sub>	-	13	-	mA
	power-down state (all supplies) (Note 24)	I <sub>pd</sub>	-	250	-	μA
Power Consumption (Note 22)	VA=5 V, VD=VLS=VLC=3.3 V		-	587	650	mW
	normal operation		-	1.25	-	mW
	power-down (Note 24)		-	866	960	mW
	VA=5 V, VD=VLS=VLC=5 V		-	1.25	-	mW
Power Supply Rejection Ratio (Note 25)	(1 kHz)	PSRR	-	60	-	dB
	(60 Hz)		-	40	-	dB
VQ Nominal Voltage		-	2.7	-	V	
VQ Output Impedance		-	50	-	kΩ	
VQ Maximum allowable DC current		-	0.01	-	mA	
FILT+ Nominal Voltage		-	5.0	-	V	
FILT+ Output Impedance		-	35	-	kΩ	
FILT+ Maximum allowable DC current		-	0.01	-	mA	

**Notes:**

22. Current consumption increases with increasing FS and increasing OMCK. Max values are based on highest FS and highest OMCK. Variance between speed modes is negligible.
23. I<sub>LC</sub> measured with no external loading on the SDA pin.
24. Power-Down Mode is defined as  $\overline{RST}$  pin = Low with all clock and data lines held static.
25. Valid with the recommended capacitor values on FILT+ and VQ as shown in Figure 5.

**DIGITAL INTERFACE CHARACTERISTICS**

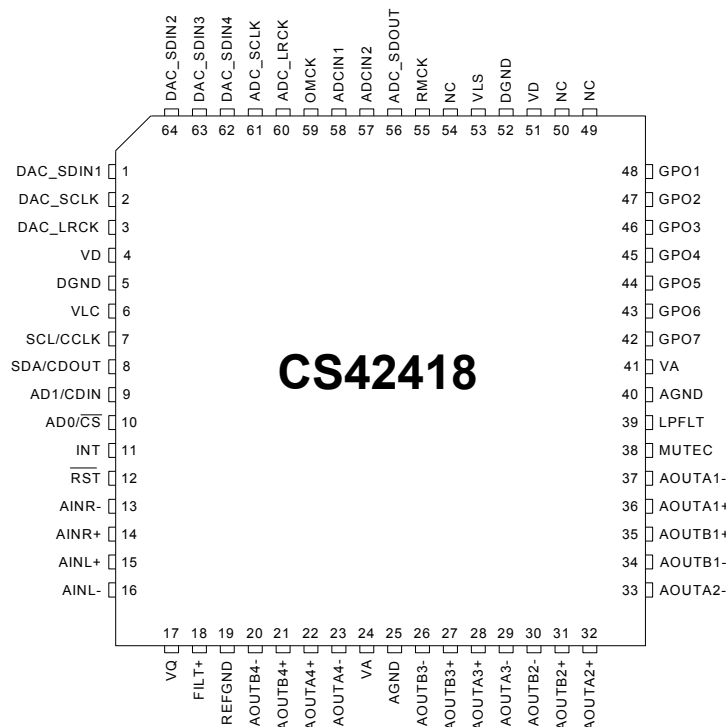
 (T<sub>A</sub> = +25° C)

Parameters (Note 26)		Symbol	Min	Typ	Max	Units
High-Level Input Voltage	Serial Port	V <sub>IH</sub>	0.7xVLS	-	-	V
	Control Port		0.7xVLC	-	-	V
Low-Level Input Voltage	Serial Port	V <sub>IL</sub>	-	-	0.2xVLS	V
	Control Port		-	-	0.2xVLC	V
High-Level Output Voltage at I <sub>o</sub> =2 mA	(Note 27) Serial Port	V <sub>OH</sub>	VLS-1.0	-	-	V
	Control Port		VLC-1.0	-	-	V
	MUTE <sub>C</sub> , GPO <sub>x</sub>		VA-1.0	-	-	V
Low-Level Output Voltage at I <sub>o</sub> =2 mA	(Note 27) Serial Port, Control Port, MUTE <sub>C</sub> , GPO <sub>x</sub>	V <sub>OL</sub>	-	-	0.4	V
High-Level Output Voltage at I <sub>o</sub> =100 μA	(Note 27) Serial Port	V <sub>OH</sub>	0.8xVLS	-	-	V
	Control Port		0.8xVLC	-	-	V
	MUTE <sub>C</sub> , GPO <sub>x</sub>		0.8xVA	-	-	V
Low-Level Output Voltage at I <sub>o</sub> =100 μA	(Note 27) Serial Port	V <sub>OL</sub>	-	-	0.2xVLS	V
	Control Port		-	-	0.2xVLC	V
	MUTE <sub>C</sub> , GPO <sub>x</sub>		-	-	0.2xVA	V
Input Leakage Current		I <sub>in</sub>	-	-	±10	μA
Input Capacitance			-	8	-	pF
MUTE <sub>C</sub> Drive Current			-	3	-	mA

**Notes:**

26. Serial Port signals include: RMCK, OMCK, ADC\_SCLK, ADC\_LRCK, DAC\_SCLK, DAC\_LRCK, AD-C\_SDOUT, DAC\_SDIN1-4, AD-CIN1/2  
Control Port signals include: SCL/CCLK, SDA/CDO<sub>UT</sub>, AD0/ $\overline{\text{CS}}$ , AD1/CDIN, INT,  $\overline{\text{RST}}$
27. When operating RMCK above 24.576 MHz, limit the loading on the signal to 1 CMOS load.

## 2. PIN DESCRIPTIONS

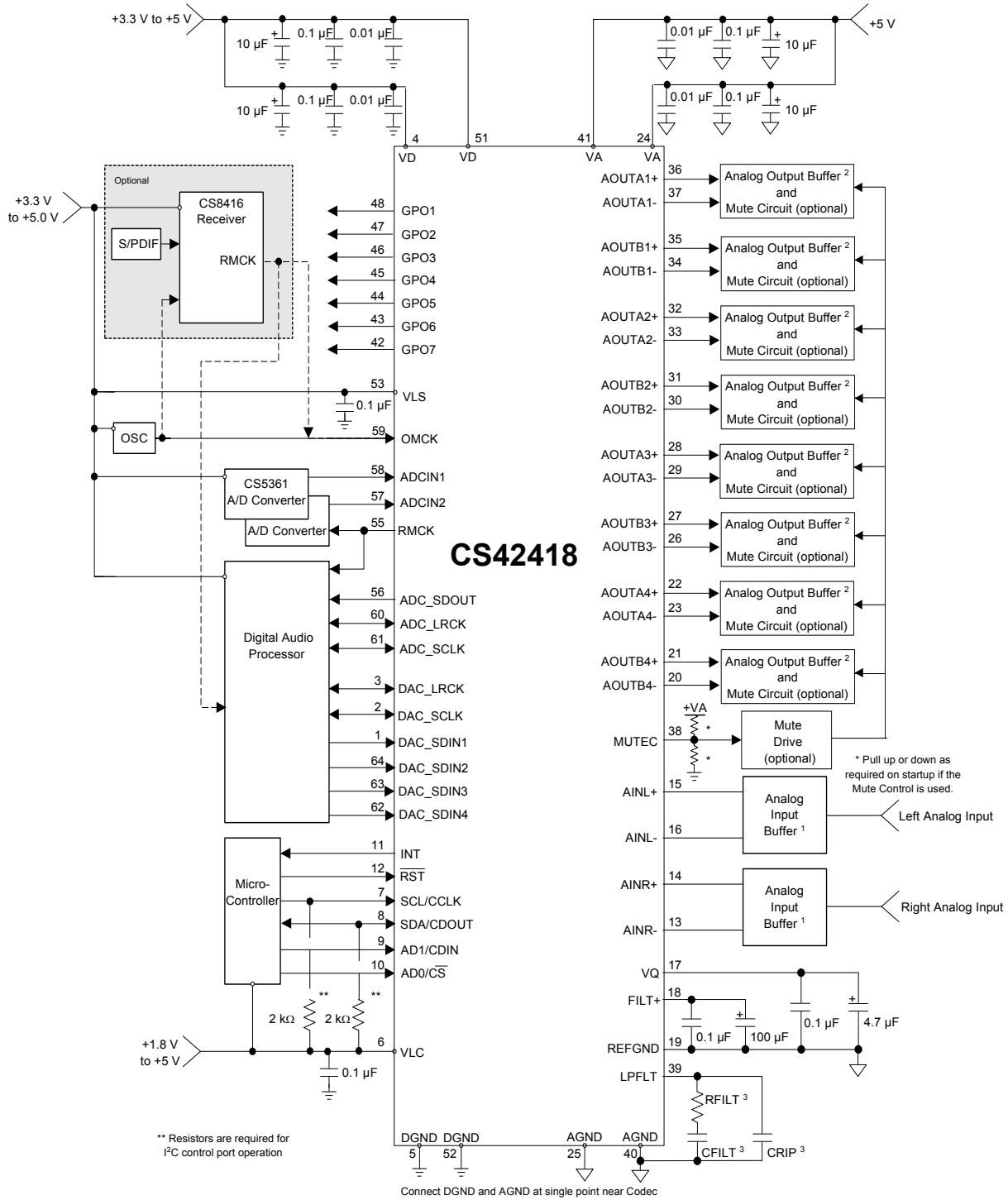


Pin Name	#	Pin Description
DAC_SDIN1	1	
DAC_SDIN2	64	<b>DAC Serial Audio Data Input (Input)</b> - Input for two's complement serial audio data.
DAC_SDIN3-	63	
DAC_SDIN4	62	
DAC_SCLK	2	
DAC_LRCK	3	<b>DAC Left Right Clock (Input/Output)</b> - Determines which channel, Left or Right, is currently active on the DAC serial audio data line.
VD	4 51	<b>Digital Power (Input)</b> - Positive power supply for the digital section.
DGND	5 52	<b>Digital Ground (Input)</b> - Ground reference. Should be connected to digital ground.
VLC	6	<b>Control Port Power (Input)</b> - Determines the required signal level for the control port.
SCL/CCLK	7	<b>Serial Control Port Clock (Input)</b> - Serial clock for the serial control port. Requires an external pull-up resistor to the logic interface voltage in I <sup>2</sup> C mode as shown in the Typical Connection Diagram.
SDA/CDOUT	8	<b>Serial Control Data (Input/Output)</b> - SDA is a data I/O line in I <sup>2</sup> C mode and requires an external pull-up resistor to the logic interface voltage, as shown in the Typical Connection Diagram. CDOUT is the output data line for the control port interface in SPI mode.
AD1/CDIN	9	<b>Address Bit 1 (I<sup>2</sup>C)/Serial Control Data (SPI) (Input)</b> - AD1 is a chip address pin in I <sup>2</sup> C mode; CDIN is the input data line for the control port interface in SPI mode.
AD0/ $\overline{\text{CS}}$	10	<b>Address Bit 0 (I<sup>2</sup>C)/Control Port Chip Select (SPI) (Input)</b> - AD0 is a chip address pin in I <sup>2</sup> C mode; $\overline{\text{CS}}$ is the chip select signal in SPI mode.
INT	11	<b>Interrupt (Output)</b> - The CS42418 will generate an interrupt condition as per the Interrupt Mask register. See " <a href="#">Interrupts</a> " on page 37 for more details.



$\overline{\text{RST}}$	12	<b>Reset (Input)</b> - The device enters a low power mode and all internal registers are reset to their default settings when low.
AINR- AINR+	13 14	<b>Differential Right Channel Analog Input (Input)</b> - Signals are presented differentially to the delta-sigma modulators via the AINR+/- pins.
AINL+ AINL-	15 16	<b>Differential Left Channel Analog Input (Input)</b> - Signals are presented differentially to the delta-sigma modulators via the AINL+/- pins.
VQ	17	<b>Quiescent Voltage (Output)</b> - Filter connection for internal quiescent reference voltage.
FILT+	18	<b>Positive Voltage Reference (Output)</b> - Positive reference voltage for the internal sampling circuits.
REFGND	19	<b>Reference Ground (Input)</b> - Ground reference for the internal sampling circuits.
AOUTA1 +,- AOUTB1 +,- AOUTA2 +,- AOUTB2 +,- AOUTA3 +,- AOUTB3 +,- AOUTA4 +,- AOUTB4 +,-	36,37 35,34 32,33 31,30 28,29 27,26 22,23 21,20	<b>Differential Analog Output (Output)</b> - The full-scale differential analog output level is specified in the Analog Characteristics specification table.
VA	24 41	<b>Analog Power (Input)</b> - Positive power supply for the analog section.
AGND	25 40	<b>Analog Ground (Input)</b> - Ground reference. Should be connected to analog ground.
MUTE <sub>CC</sub>	38	<b>Mute Control (Output)</b> - The Mute Control pin outputs high impedance following an initial power-on condition or whenever the PDN bit is set to a '1', forcing the codec into power-down mode. The signal will remain in a high impedance state as long as the part is in power-down mode. The Mute Control pin goes to the selected "active" state during reset, muting, or if the master clock to left/right clock frequency ratio is incorrect. This pin is intended to be used as a control for external mute circuits to prevent the clicks and pops that can occur in any single supply system. The use of external mute circuits are not mandatory but may be desired for designs requiring the absolute minimum in extraneous clicks and pops.
LPFLT	39	<b>PLL Loop Filter (Output)</b> - An RC network should be connected between this pin and ground.
GPO7 GPO6 GPO5 GPO4 GPO3 GPO2 GPO1	42 43 44 45 46 47 48	<b>General Purpose Output (Output)</b> - These pins can be configured as general purpose output pins, an ADC overflow interrupt or Mute Control outputs according to the General Purpose Pin Control registers.
VLS	53	<b>Serial Port Interface Power (Input)</b> - Determines the required signal level for the serial port interfaces.
RMCK	55	<b>Recovered Master Clock (Output)</b> - Recovered master clock output from the External Clock Reference (OMCK, pin 59) or the PLL which is locked to the incoming ADC_LRCK.
ADC_SDO <sub>UT</sub>	56	<b>ADC Serial Data Output (Output)</b> - Output for two's complement serial audio PCM data from the output of the internal and external ADCs.
ADCIN1 ADCIN2	58 57	<b>External ADC Serial Input (Input)</b> - The CS42418 provides for up to two external stereo analog to digital converter inputs to provide a maximum of six channels on one serial data output line when the CS42418 is placed in One-Line Mode.
OMCK	59	<b>External Reference Clock (Input)</b> - External clock reference that must be within the ranges specified in the register " <a href="#">OMCK Frequency (OMCK Freqx)</a> " on page 48.
ADC_LRCK	60	<b>ADC Left/Right Clock (Input/Output)</b> - Determines which channel, Left or Right, is currently active on the ADC serial audio data line.
ADC_SCLK	61	<b>ADC Serial Clock (Input/Output)</b> - Serial clock for the ADC serial audio interface.

### 3. TYPICAL CONNECTION DIAGRAMS



1. See the ADC Input Filter section in the Appendix.  
 2. See the DAC Output Filter section in the Appendix.  
 3. See the PLL Filter section in the Appendix.

Figure 5. Typical Connection Diagram

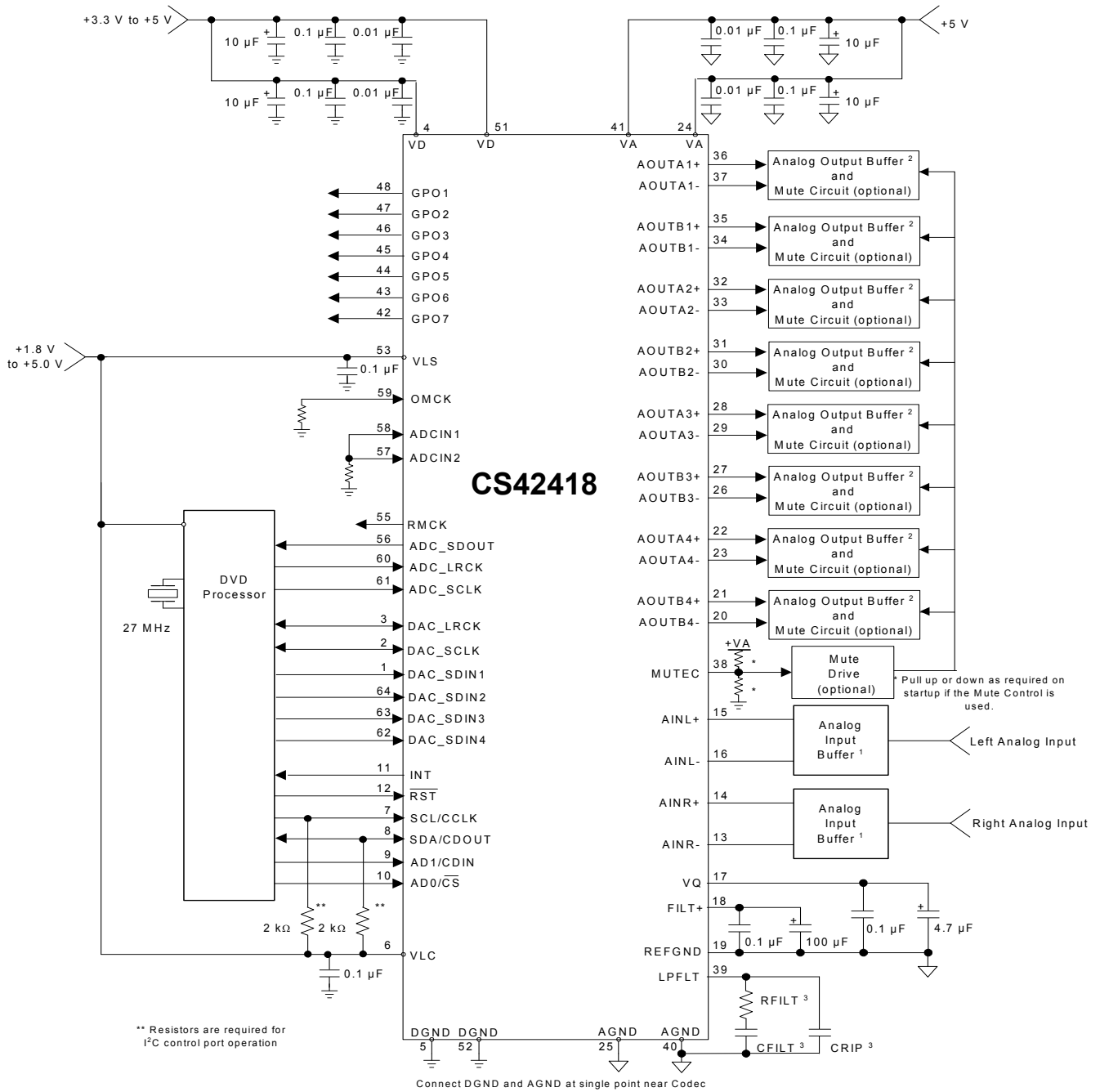


Figure 6. Typical Connection Diagram using the PLL

## 4. APPLICATIONS

### 4.1 Overview

The CS42418 is a highly integrated mixed-signal 24-bit audio codec comprised of 2 analog-to-digital converters (ADC), implemented using multi-bit delta-sigma techniques, and 8 digital-to-analog converters (DAC). Other functions integrated within the codec include independent digital volume controls for each DAC, digital de-emphasis filters for DAC, digital gain control for ADC channels, ADC high-pass filters, and an on-chip voltage reference. All serial data is transmitted through one configurable serial audio interface for the ADC with enhanced one-line modes of operation, allowing up to 6 channels of serial audio data on one data line. All functions are configured through a serial control port operable in SPI mode or in I<sup>2</sup>C mode. [5](#) and [6](#) show the recommended connections for the CS42418.

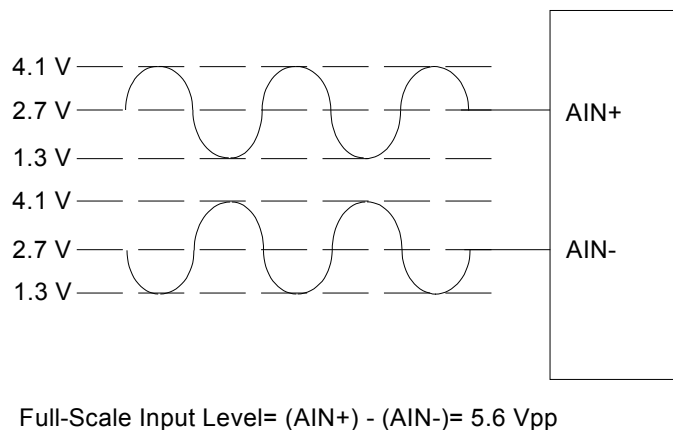
The CS42418 operates in one of three oversampling modes based on the input sample rate. Mode selection is determined by the FM bits in register “[Functional Mode \(address 03h\)](#)” on [page 43](#). Single-Speed Mode (SSM) supports input sample rates up to 50 kHz and uses a 128x oversampling ratio. Double-Speed Mode (DSM) supports input sample rates up to 100 kHz and uses an oversampling ratio of 64x. Quad-Speed Mode (QSM) supports input sample rates up to 192 kHz and uses an oversampling ratio of 32x.

Using the integrated PLL, a low-jitter clock is recovered from the ADC LRCK input signal. The recovered clock or an externally supplied clock attached to the OMCK pin can be used as the System Clock.

### 4.2 Analog Inputs

#### 4.2.1 Line-Level Inputs

AINR+, AINR-, AINL+, and AINL- are the line-level differential analog inputs. The analog signal must be externally biased to V<sub>Q</sub>, approximately 2.7 V, before being applied to these inputs. The level of the signal can be adjusted for the left and right ADC independently through the ADC Left and Right Channel Gain Control Registers on [page 55](#). The ADC output data is in two’s complement binary format. For inputs above positive full scale or below negative full scale, the ADC will output 7FFFFFFH or 800000H, respectively and cause the ADC Overflow bit in the register “[Interrupt Status \(address 20h\) \(Read Only\)](#)” on [page 56](#) to be set to a ‘1’. The GPO pins may also be configured to indicate an overflow condition has occurred in the ADC. See “[General-Purpose Pin Control \(addresses 29h to 2Fh\)](#)” on [page 58](#) for proper configuration. [Figure 7](#) shows the full-scale analog input levels. See “[ADC Input Filter](#)” on [page 61](#) for a recommended input buffer.



**Figure 7. Full-Scale Analog Input**

### 4.2.2 High-Pass Filter and DC Offset Calibration

The high-pass filter continuously subtracts a measure of the DC offset from the output of the decimation filter. The high-pass filter can be independently enabled and disabled. If the HPF\_Freeze bit is set during normal operation, the current value of the DC offset for the corresponding channel is frozen and this DC offset will continue to be subtracted from the conversion result. This feature makes it possible to perform a system DC offset calibration by:

1. Running the CS42418 with the high-pass filter enabled until the filter settles. See the Digital Filter Characteristics for filter settling time.
2. Disabling the high-pass filter and freezing the stored DC offset.

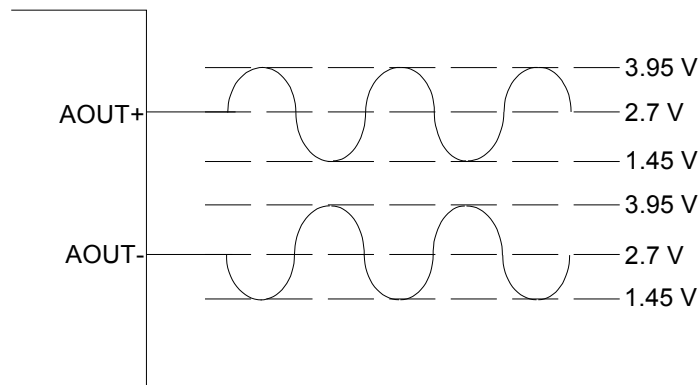
The high-pass filters are controlled using the HPF\_FREEZE bit in the register [“Misc Control \(address 05h\)”](#) on page 46.

## 4.3 Analog Outputs

### 4.3.1 Line-Level Outputs and Filtering

The CS42418 contains on-chip buffer amplifiers capable of producing line-level differential outputs. These amplifiers are biased to a quiescent DC level of approximately V<sub>Q</sub>.

The delta-sigma conversion process produces high-frequency noise beyond the audio passband, most of which is removed by the on-chip analog filters. The remaining out-of-band noise can be attenuated using an off-chip low-pass filter. See [“DAC Output Filter”](#) on page 61 for a recommended output buffer. This filter configuration accounts for the normally differing AC loads on the AOUT+ and AOUT- differential output pins. It also shows an AC coupling configuration which minimizes the number of required AC coupling capacitors. [Figure 8](#) shows the full-scale analog output levels.



Full-Scale Output Level = (A<sub>IN+</sub>) - (A<sub>IN-</sub>) = 5 V<sub>pp</sub>

**Figure 8. Full-Scale Output**

### 4.3.2 Interpolation Filter

To accommodate the increasingly complex requirements of digital audio systems, the CS42418 incorporates selectable interpolation filters for each mode of operation. A “fast” and a “slow” roll-off filter is available in Single-, Double-, and Quad-Speed Modes. These filters have been designed to accommodate a variety of musical tastes and styles. The FILT\_SEL bit found in the register [“Misc Control \(address 05h\)”](#) on page 46 selects which filter is used. Filter response plots can be found in [Figures 39 to 62](#).

### 4.3.3 Digital Volume and Mute Control

Each DAC's output level is controlled via the Volume Control registers operating over the range of 0 to -127 dB attenuation with 0.5 dB resolution. See "Volume Control (addresses 0Fh, 10h, 11h, 12h, 13h, 14h, 15h, 16h)" on page 53. Volume control changes are programmable to ramp in increments of 0.125 dB at the rate controlled by the SZC[1:0] bits in the Digital Volume Control register. See "Volume Transition Control (address 0Dh)" on page 51.

Each output can be independently muted via mute control bits in the register "Channel Mute (address 0Eh)" on page 52. When enabled, each XX\_MUTE bit attenuates the corresponding DAC to its maximum value (-127 dB). When the XX\_MUTE bit is disabled, the corresponding DAC returns to the attenuation level set in the Volume Control register. The attenuation is ramped up and down at the rate specified by the SZC[1:0] bits.

The Mute Control pin, MUTE<sub>C</sub>, is typically connected to an external mute control circuit. The Mute Control pin outputs high impedance during Power-Up or in Power-Down Mode by setting the PDN bit in the register "Power Control (address 02h)" on page 43 to a '1'. Once out of Power-Down Mode, the pin can be controlled by the user via the control port, or automatically asserted high when zero data is present on all DAC inputs, or when serial port clock errors are present. To prevent large transients on the output, it is desirable to mute the DAC outputs before the Mute Control pin is asserted. Please see the MUTE<sub>C</sub> pin in the Pin Descriptions section for more information.

Each of the GPO1-GPO7 can be programmed to provide a hardware MUTE signal to individual circuits. Each pin can be programmed as an output, with specific muting capabilities as defined by the function bits in the register "General-Purpose Pin Control (addresses 29h to 2Fh)" on page 58.

### 4.3.4 ATAPI Specification

The CS42418 implements the channel-mixing functions of the ATAPI CD-ROM specification. The ATAPI functions are applied per A-B pair. Refer to Table 14 on page 54 and Figure 9 for additional information.

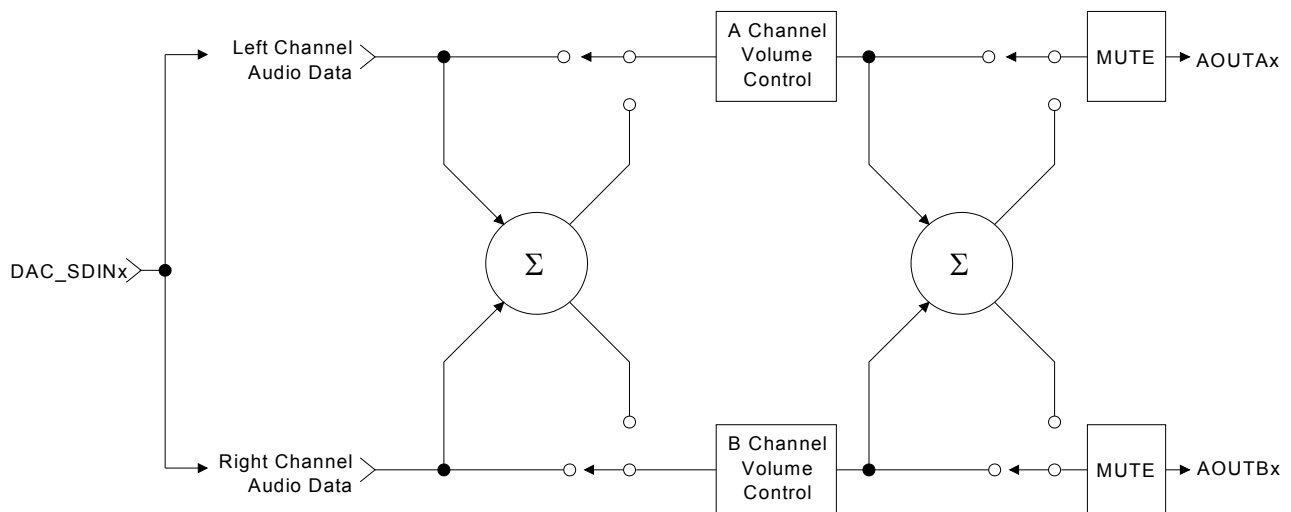
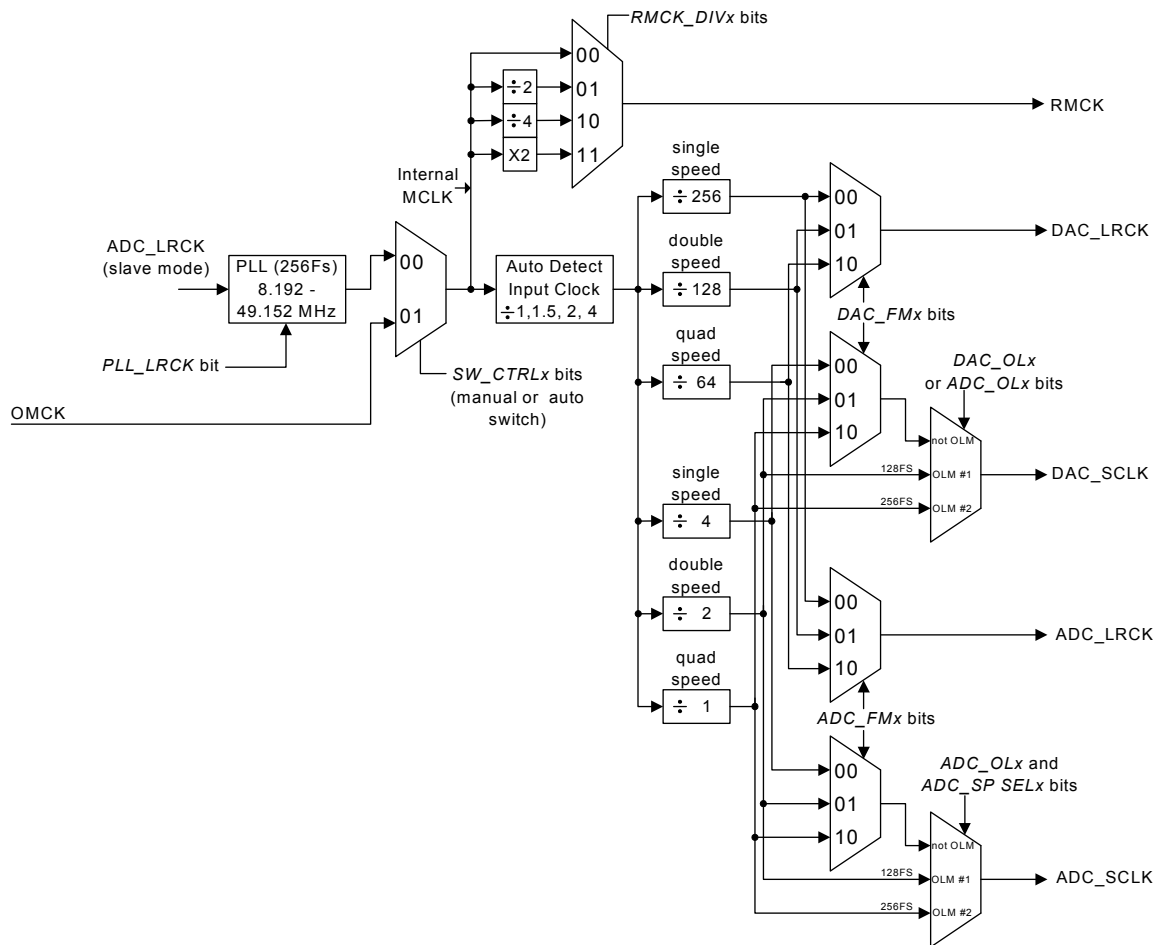


Figure 9. ATAPI Block Diagram (x = channel pair 1, 2, 3, 4)

## 4.4 Clock Generation

The clock generation for the CS42418 is shown in the figure below. The internal MCLK is derived from the output of the PLL or a master clock source attached to OMCK. The mux selection is controlled by the SW\_CTRLx bits and can be configured to manual switch mode only, or automatically switch on loss of PLL lock to the other source input.



**Figure 10. Clock Generation**

### 4.4.1 PLL and Jitter Attenuation

The PLL can be configured to lock onto the incoming ADC\_LRCK signal from the ADC Serial Port and generate the required internal master clock frequency. There are some applications where low jitter in the recovered clock, presented on the RMCK pin, is important. For this reason, the PLL has been designed to have good jitter-attenuation characteristics. By setting the PLL\_LRCK bit to a '1' in the register [“Clock Control \(address 06h\)” on page 48](#), the PLL will lock to the incoming ADC\_LRCK and generate an output master clock (RMCK) of 256Fs. [Table 2](#) shows the output of the PLL with typical input Fs values for ADC\_LRCK.

See [“Appendix B: PLL Filter” on page 62](#) for more information concerning PLL operation, required filter components, optimal layout guidelines, and jitter-attenuation characteristics.

#### 4.4.2 OMCK System Clock Mode

A special clock-switching mode is available that allows the clock that is input through the OMCK pin to be used as the internal master clock. This feature is controlled by the SW\_CTRLx bits in register “[Clock Control \(address 06h\)](#)” on page 48. An advanced auto-switching mode is also implemented to maintain master clock functionality. The clock auto-switching mode allows the clock input through OMCK to be used as a clock in the system without any disruption when the PLL loses lock, for example, when the LRCK is removed from ADC\_LRCK. This clock-switching is done glitch-free. A clock adhering to the specifications detailed in the Switching Characteristics table on page 11 must be applied to the OMCK pin at all times that the FRC\_PLL\_LK bit is set to ‘0’ (See “[Force PLL Lock \(FRC\\_PLL\\_LK\)](#)” on page 49).

Sample Rate (kHz)	OMCK (MHz)								
	Single-Speed (4 to 50 kHz)			Double-Speed (50 to 100 kHz)			Quad-Speed (100 to 192 kHz)		
	256x	384x	512x	128x	192x	256x	64x	96x	128x
48	12.2880	18.4320	24.5760	-	-	-	-	-	-
96	-	-	-	12.2880	18.4320	24.5760	-	-	-
192	-	-	-	-	-	-	12.2880	18.4320	24.5760

Table 1. Common OMCK Clock Frequencies

#### 4.4.3 Master Mode

In Master Mode, the serial interface timings are derived from an external clock attached to OMCK or from the output of the PLL with an input reference to the ADC\_LRCK input from the ADC serial port. The DAC Serial Port and ADC Serial Port can both be masters only when OMCK is used as the clock source. When using the PLL output, the ADC Serial Port must be slave and the DAC Serial Port can operate in Master Mode. Master clock selection and operation is configured with the SW\_CTRL1:0 bits in the Clock Control Register (See “[Clock Control \(address 06h\)](#)” on page 48).

#### 4.4.4 Slave Mode

In Slave Mode, DAC\_LRCK, DAC\_SCLK and/or ADC\_LRCK and ADC\_SCLK operate as inputs. The Left/Right clock signal must be equal to the sample rate, Fs, and must be synchronously derived from the supplied master clock, OMCK, or must be synchronous to the supplied ADC\_LRCK used as the input to the PLL. In this latter scenario, the PLL output becomes the internal master clock. The supported PLL output frequencies are shown in Table 2.

Sample Rate (kHz)	PLL Output (MHz)		
	Single-Speed (4 to 50kHz)	Double-Speed (50 to 100kHz)	Quad-Speed (100 to 192kHz)
	256x	256x	256x
32	8.1920	-	-
44.1	11.2896	-	-
48	12.2880	-	-
64	-	16.3840	-
88.2	-	22.5792	-
96	-	24.5760	-
176.4	-	-	45.1584
192	-	-	49.1520

The serial bit clock, DAC\_SCLK and/or ADC\_SCLK, must be synchronous to the corresponding DAC\_LRCK/ADC\_LRCK and be equal to 128x, 64x, 48x or 32x Fs, depending on the interface format selected and desired speed mode.



When the device is clocked from OMCK, the frequency of OMCK must be at least twice the frequency of the fastest Slave Mode, SCLK. For example, if both serial ports are in Slave Mode with one SCLK running at 32x Fs and the other at 64x Fs, the slowest OMCK signal that can be used to clock the device is 128x Fs.

When either serial port is in Slave Mode, its respective LRCK signal must be present for proper device operation.

In Slave Mode, One-Line Mode #1 is supported; One-Line Mode #2 is not.

The sample rate to OMCK ratios and OMCK frequency requirements for Slave Mode operation are shown in [Table 1](#). Refer to [Table 3](#) for required clock ratios.

	Single-Speed	Double-Speed	Quad-Speed	One-Line Mode #1
OMCK/LRCK Ratio	256x, 384x, 512x	128x, 192x, 256x	64x, 96x, 128x	256x
SCLK/LRCK Ratio	32x, 48x, 64x, 128x	32x, 48x, 64x	32x, 48x, 64x	128x

**Table 3. Slave Mode Clock Ratios**

## 4.5 Digital Interfaces

### 4.5.1 Serial Audio Interface Signals

The CS42418 interfaces to an external Digital Audio Processor via two independent serial ports, the DAC serial port, DAC\_SP, and the ADC serial port, ADC\_SP. The digital output of the internal ADCs use the ADC\_SDOUT pin and can be configured to use either the ADC or DAC serial port timings. These configuration bits and the selection of Single-, Double- or Quad-Speed Mode for DAC\_SP and ADC\_SP are found in register [“Functional Mode \(address 03h\)”](#) on page 43.

The serial interface clocks, ADC\_SCLK for ADC\_SP and DAC\_SCLK for DAC\_SP, are used for transmitting and receiving audio data. Either ADC\_SCLK or DAC\_SCLK can be generated by the CS42418 (Master Mode), or it can be input from an external source (Slave Mode). Master or Slave Mode selection is made using bits DAC\_SP M/S and ADC\_SP M/S in register [“Misc Control \(address 05h\)”](#) on page 46.

The Left/Right clock (ADC\_LRCK or DAC\_LRCK) is used to indicate left and right data frames and the start of a new sample period. It may be an output of the CS42418 (Master Mode), or it may be generated by an external source (Slave Mode). As described in later sections, particular modes of operation do allow the sample rate, Fs, of the ADC\_SP and the DAC\_SP to be different, but must be multiples of each other.

The serial data interface format selection (Left/Right-Justified, I<sup>2</sup>S or One-Line Mode) for the ADC serial port data out pin, ADC\_SDOUT, and the DAC input pins, DAC\_SDIN1:4, is configured using the appropriate bits in the register [“Interface Formats \(address 04h\)”](#) on page 45. The serial audio data is presented in two's complement binary form with the MSB first in all formats.

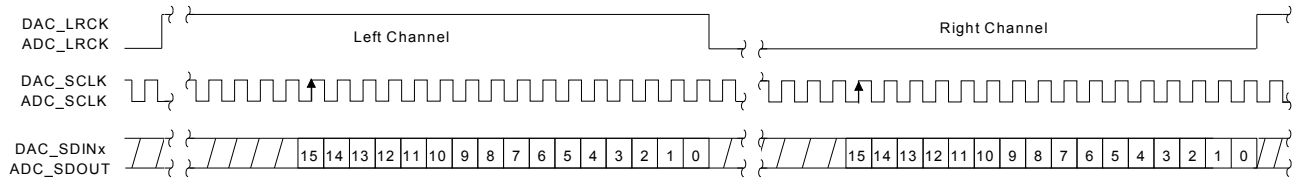
DAC\_SDIN1, DAC\_SDIN2, DAC\_SDIN3 and DAC\_SDIN4 are the serial data input pins supplying the internal DAC. ADC\_SDOUT, the ADC data output pin, carries data from the two internal 24-bit ADCs and, when configured for one-line mode, up to four additional ADC channels attached externally to the signals ADCIN1 and ADCIN2 (typically two CS5361 stereo ADCs). When operated in One-Line Mode, 6 channels of DAC data are input on DAC\_SDIN1, two additional DAC channels on DAC\_SDIN4, and 6 channels of ADC data are output on ADC\_SDOUT. [Table 4 on page 26](#) outlines the serial port channel allocations.

Serial Inputs / Outputs		
DAC_SDIN1	left channel right channel One-Line Mode	DAC #1 DAC #2 DAC channels 1,2,3,4,5,6
DAC_SDIN2	left channel right channel One-Line Mode	DAC #3 DAC #4 not used
DAC_SDIN3	left channel right channel One-Line Mode	DAC #5 DAC #6 not used
DAC_SDIN4	left channel right channel one line mode	DAC #7 DAC #8 DAC channels 7,8
ADC_SDOUT	left channel right channel One-Line Mode	ADC #1 ADC #2 ADC channels 1,2,3,4,5,6
ADCIN1	left channel right channel	External ADC #3 External ADC #4
ADCIN2	left channel right channel	External ADC #5 External ADC #6

**Table 4. Serial Audio Port Channel Allocations**

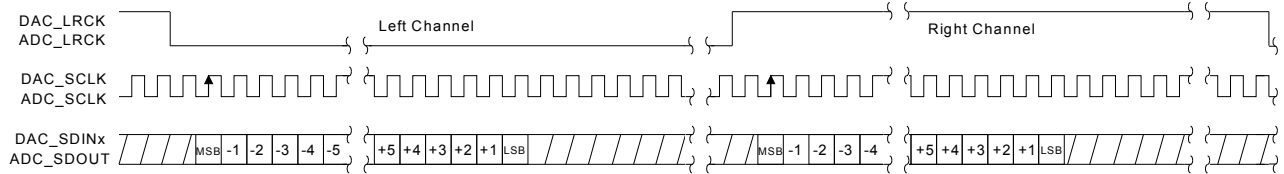
### 4.5.2 Serial Audio Interface Formats

The DAC\_SP and ADC\_SP digital audio serial ports support five formats with varying bit depths from 16 to 24 as shown in Figures 11 to 15. These formats are selected using the configuration bits in the registers, “Functional Mode (address 03h)” on page 43 and “Interface Formats (address 04h)” on page 45. For the diagrams below, Single-Speed Mode is equivalent to  $F_s = 32, 44.1, 48$  kHz; Double-Speed Mode is for  $F_s = 64, 88.2, 96$  kHz; and Quad-Speed Mode is for  $F_s = 176.4, 196$  kHz.

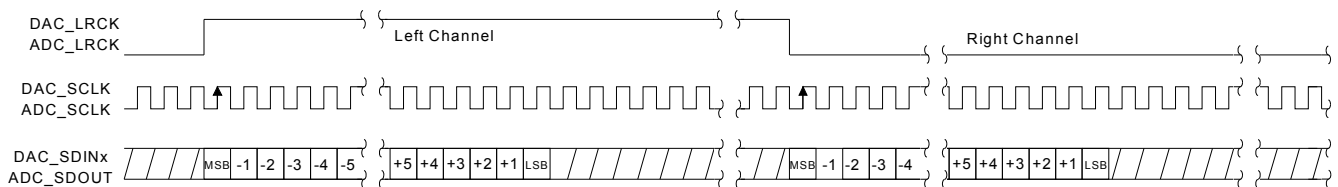


Right-Justified Mode, Data Valid on Rising Edge of SCLK			
Bits/Sample	SCLK Rate(s)		Notes
	Master	Slave	
16	64 $F_s$	48, 64, 128 $F_s$	Single-Speed Mode
	64 $F_s$	64 $F_s$	Double-Speed Mode
	64 $F_s$	64 $F_s$	Quad-Speed Mode
24	64, 128, 256 $F_s$	64, 128 $F_s$	Single-Speed Mode
	64 $F_s$	64 $F_s$	Double-Speed Mode
	64 $F_s$	64 $F_s$	Quad-Speed Mode

**Figure 11. Right-Justified Serial Audio Formats**

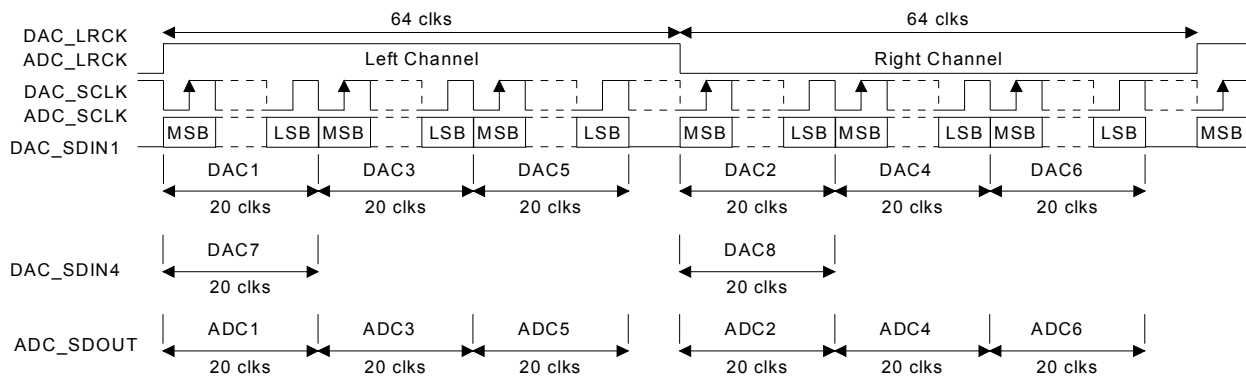


I <sup>2</sup> S Mode, Data Valid on Rising Edge of SCLK			
Bits/Sample	SCLK Rate(s)		Notes
	Master	Slave	
16	64 Fs	48, 64, 128 Fs	Single-Speed Mode
	64 Fs	64 Fs	Double-Speed Mode
	64 Fs	64 Fs	Quad-Speed Mode
18 to 24	64, 128, 256 Fs	48, 64, 128 Fs	Single-Speed Mode
	64 Fs	64 Fs	Double-Speed Mode
	64 Fs	64 Fs	Quad-Speed Mode

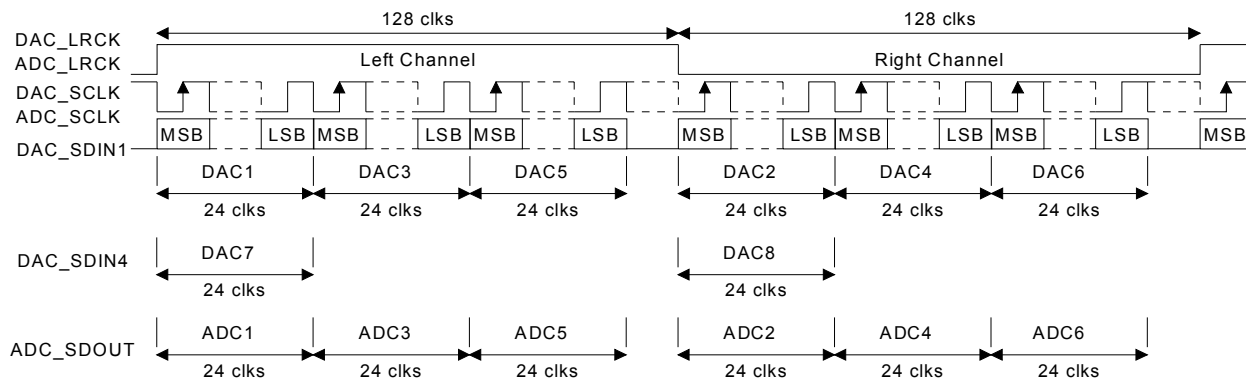
**Figure 12. I<sup>2</sup>S Serial Audio Formats**


Left-Justified Mode, Data Valid on Rising Edge of SCLK			
Bits/Sample	SCLK Rate(s)		Notes
	Master	Slave	
16	64 Fs	32, 48, 64, 128 Fs	Single-Speed Mode
	64 Fs	32, 64 Fs	Double-Speed Mode
	64 Fs	32, 64 Fs	Quad-Speed Mode
18 to 24	64, 128, 256 Fs	48, 64, 128 Fs	Single-Speed Mode
	64 Fs	64 Fs	Double-Speed Mode
	64 Fs	64 Fs	Quad-Speed Mode

**Figure 13. Left-Justified Serial Audio Formats**



One Line Data Mode #1, Data Valid on Rising Edge of SCLK			
Bits/Sample	SCLK Rate(s)		Notes
	Master	Slave	
20	128 Fs	128 Fs	single-speed mode
	128 Fs	128Fs	double-speed mode

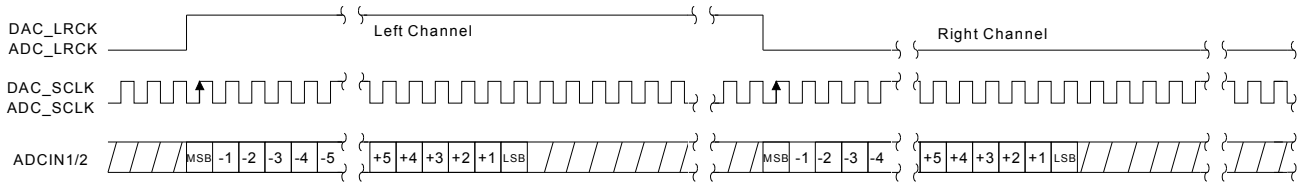
**Figure 14. One Line Mode #1 Serial Audio Format**


One Line Data Mode #2, Data Valid on Rising Edge of SCLK			
Bits/Sample	SCLK Rate(s)		Notes
	Master	Slave	
24	256 Fs	not supported	single-speed mode

**Figure 15. One Line Mode #2 Serial Audio Format**

### 4.5.3 ADCIN1/ADCIN2 Serial Data Format

The two serial data lines which interface to the optional external ADCs, ADCIN1 and ADCIN2, support only left-justified, 24-bit samples at 64Fs or 128Fs. This interface is not affected by any of the serial port configuration register bit settings. These serial data lines are used when supporting One-Line Mode of operation with external ADCs attached. If these signals are not being used, they should be tied together and wired to GND via a pull-down resistor.



Left-Justified Mode, Data Valid on Rising Edge of SCLK		
Bits/Sample	SCLK Rate(s)	Notes
24	64, 128 Fs	Single-Speed Mode, Fs= 32, 44.1, 48 KHz
	64 Fs	Double-Speed Mode, Fs= 64, 88.2, 96 KHz
	not supported	Quad-Speed Mode, Fs= 176.4, 192 KHz

**Figure 16. ADCIN1/ADCIN2 Serial Audio Format**

For proper operation, the CS42418 must be configured to select which SCLK/LRCK is being used to clock the external ADCs. The EXT ADC SCLK bit in register [“Misc Control \(address 05h\)”](#) on page 46 must be set accordingly. Set this bit to ‘1’ if the external ADCs are wired using the DAC\_SP clocks. If the ADCs are wired to use the ADC\_SP clocks, set this bit to ‘0’.

## 4.5.4 One-Line Mode (OLM) Configurations

### 4.5.4.1 OLM Config #1

One-Line Mode Configuration #1 can support up to 8 channels of DAC data, and 6 channels of ADC data. This is the only configuration which will support up to 24-bit samples at a sampling frequency of 48 kHz on all channels for both the DAC and ADC.

Register / Bit Settings	Description
<b>Functional Mode Register (addr = 03h)</b>	
Set DAC_FmX = ADC_FmX = 00,01,10	DAC_LRCK must equal ADC_LRCK; sample rate conversion not supported
Set ADC_CLK_SEL = 0	Configure ADC_SDOUt to be clocked from the DAC_SP clocks.
<b>Interface Format Register (addr = 04h)</b>	
Set DIFx bits to proper serial format	Select the digital interface format when not in One-Line Mode
Set ADC_OLx bits = 00,01,10	Select ADC operating mode, see table below for valid combinations
Set DAC_OLx bits = 00,01,10	Select DAC operating mode, see table below for valid combinations
<b>Misc. Control Register (addr = 05h)</b>	
Set DAC_SP M/S = 1	Configure DAC Serial Port to Master Mode.
Set ADC_SP M/S = 1	Configure ADC Serial Port to Master Mode.
Set EXT ADC SCLK = 0	Identify external ADC clock source as SAI Serial Port.

		DAC Mode		
		Not One-Line Mode	One-Line Mode #1	One-Line Mode #2
ADC Mode	Not One-Line Mode	DAC_SCLK=64Fs DAC_LRCK=SSM/DSM/QSM	DAC_SCLK=128Fs DAC_LRCK=SSM/DSM ADC_SCLK=64Fs ADC_LRCK=DAC_LRCK	not valid
	One-Line Mode #1	DAC_SCLK=128Fs DAC_LRCK=SSM/DSM ADC_SCLK=64Fs ADC_LRCK=DAC_LRCK	DAC_SCLK=128Fs DAC_LRCK=SSM/DSM ADC_SCLK=64Fs ADC_LRCK=DAC_LRCK	not valid
	One-Line Mode #2	DAC_SCLK=256Fs DAC_LRCK=SSM ADC_SCLK=64Fs ADC_LRCK=DAC_LRCK	not valid	DAC_SCLK=256Fs DAC_LRCK=SSM ADC_SCLK=64Fs ADC_LRCK=DAC_LRCK

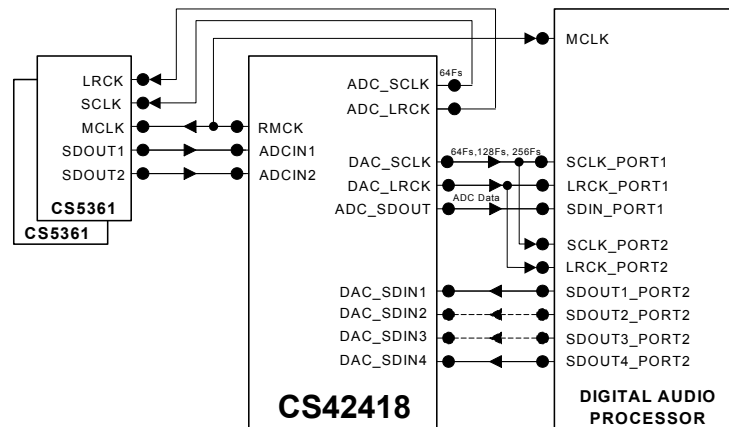


Figure 17. OLM Configuration #1

### 4.5.4.2 OLM Config #2

This configuration will support up to 8 channels of DAC data or 6 channels of ADC data and will handle up to 20-bit samples at a sampling-frequency of 96 kHz on all channels for both the DAC and ADC. The output data stream of the internal and external ADCs is configured to use the ADC\_SDOUT output and run at the DAC Serial Port sample frequency.

Register / Bit Settings	Description
<b>Functional Mode Register (addr = 03h)</b>	
Set DAC_FM <sub>x</sub> = 00,01,10	DAC_LRCK can run at SSM, DSM or QSM independent of ADC_LRCK
Set ADC_FM <sub>x</sub> = 00,01,10	ADC_LRCK can run at SSM, DSM or QSM independent of DAC_LRCK
Set ADC_CLK_SEL = 1	Configure ADC_SDOUT to be clocked from the ADC_SP clocks.
<b>Interface Format Register (addr = 04h)</b>	
Set DIF <sub>x</sub> bits to proper serial format	Select the digital interface format when not in One-Line Mode
Set ADC_OL <sub>x</sub> bits = 00,01,10	Select ADC operating mode, see table below for valid combinations
Set DAC_OL <sub>x</sub> bits = 00,01	Select DAC operating mode, see table below for valid combinations
<b>Misc. Control Register (addr = 05h)</b>	
Set DAC_SP M/S = 1	Set DAC Serial Port to Master Mode.
Set ADC_SP M/S = 1	Set ADC Serial Port to Master Mode.
Set EXT ADC SCLK = 1	Identify external ADC clock source as DAC Serial Port.

		DAC Mode		
		Not One-Line Mode	One-Line Mode #1	One-Line Mode #2
ADC Mode	Not One-Line Mode	DAC_SCLK=64Fs DAC_LRCK=SSM/DSM/QSM ADC_SCLK=64Fs ADC_LRCK=SSM/DSM/QSM	DAC_SCLK=128Fs DAC_LRCK=SSM ADC_SCLK=64Fs ADC_LRCK=SSM/DSM/QSM	not valid
	One-Line Mode #1	DAC_SCLK=64Fs DAC_LRCK=SSM/DSM ADC_SCLK=128Fs ADC_LRCK=DAC_LRCK	DAC_SCLK=128Fs DAC_LRCK=SSM ADC_SCLK=128Fs ADC_LRCK=DAC_LRCK	not valid
	One-Line Mode #2	DAC_SCLK=64Fs DAC_LRCK=SSM ADC_SCLK=256Fs ADC_LRCK=DAC_LRCK	not valid	not valid

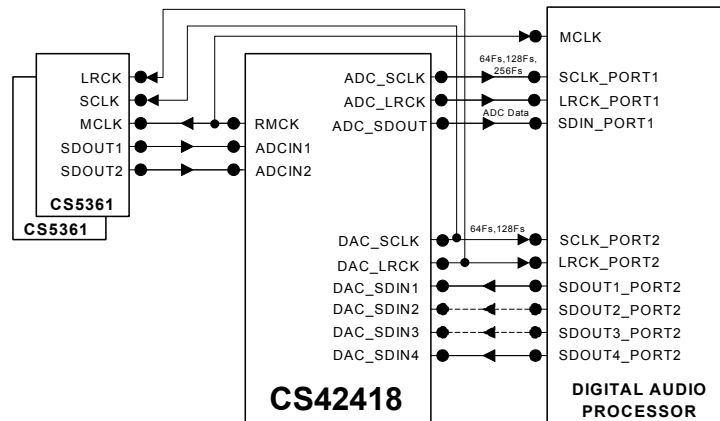


Figure 18. OLM Configuration #2



### 4.5.4.3 OLM Config #3

This configuration will support up to 8 channels of DAC data and 6 channels of ADC data. OLM Config #3 will handle up to 20-bit ADC samples at an  $F_s$  of 48 kHz and 24-bit DAC samples at an  $F_s$  of 48 kHz. Since the ADC's data stream is configured to use the ADC\_SDOUT output and the internal and external ADCs are clocked from the ADC\_SP, the sample rate for the DAC Serial Port can be different from the sample rate of the ADC serial port.

Register / Bit Settings	Description
<b>Functional Mode Register (addr = 03h)</b>	
Set DAC_FM $x$ = 00,01,10	DAC_LRCK can run at SSM, DSM, or QSM independent of ADC_LRCK
Set ADC_FM $x$ = 00,01,10	ADC_LRCK can run at SSM, DSM, or QSM independent of DAC_LRCK
Set ADC_CLK_SEL = 1	Configure ADC_SDOUT to be clocked from the ADC_SP clocks.
<b>Interface Format Register (addr = 04h)</b>	
Set DIF $x$ bits to proper serial format	Select the digital interface format when not in One-Line Mode
Set ADC_OL $x$ bits = 00,01	Select ADC operating mode, see table below for valid combinations
Set DAC_OL $x$ bits = 00,01,10	Select DAC operating mode, see table below for valid combinations
<b>Misc. Control Register (addr = 05h)</b>	
Set DAC_SP M/S = 1	Set DAC Serial Port to Master Mode.
Set ADC_SP M/S = 0 or 1	Set ADC Serial Port to Master Mode or Slave Mode.
Set EXT ADC SCLK = 0	Identify external ADC clock source as ADC Serial Port.

		DAC Mode		
		Not One-Line Mode	One-Line Mode #1	One-Line Mode #2
ADC Mode	Not One-Line Mode	DAC_SCLK=64Fs DAC_LRCK=SSM/DSM/QSM ADC_SCLK=64Fs ADC_LRCK=SSM/DSM/QSM	DAC_SCLK=128Fs DAC_LRCK=SSM/DSM ADC_SCLK=64Fs ADC_LRCK=SSM/DSM/QSM	DAC_SCLK=256Fs DAC_LRCK=SSM ADC_SCLK=64Fs ADC_LRCK=SSM/DSM/QSM
	One-Line Mode #1	DAC_SCLK=64Fs DAC_LRCK=SSM/DSM/QSM ADC_SCLK=128Fs ADC_LRCK=SSM	DAC_SCLK=128Fs DAC_LRCK=SSM/DSM ADC_SCLK=128Fs ADC_LRCK=SSM	DAC_SCLK=256Fs DAC_LRCK=SSM ADC_SCLK=128Fs ADC_LRCK=SSM
	One-Line Mode #2	not valid	not valid	not valid

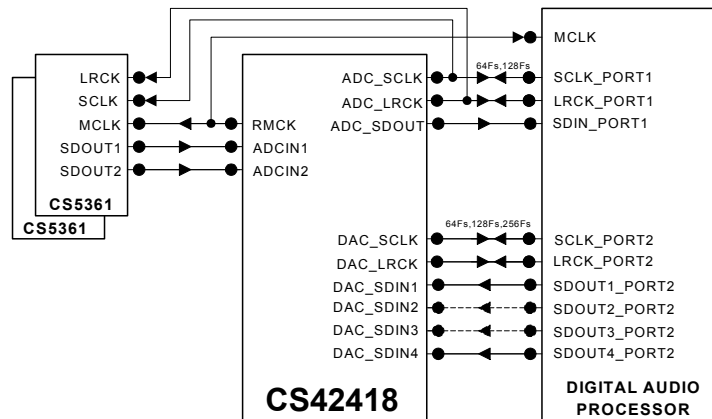


Figure 19. OLM Configuration #3

#### 4.5.4.4 OLM Config #4

This One-Line Mode configuration can support up to 8 channels of DAC data on 2 DAC\_SDIN pins and 2 channels of ADC data and will handle up to 24-bit samples at a sampling frequency of 48 kHz on all channels for both the DAC and ADC. The output data stream of the internal ADCs can be configured to run at the DAC\_SP clock speeds or to run at the ADC\_SP rate. The DAC\_SP and ADC\_SP can operate at different Fs rates.

Register / Bit Settings	Description
<b>Functional Mode Register (addr = 03h)</b>	
Set DAC_FM <sub>x</sub> = 00,01,10	DAC_LRCK can run at SSM, DSM, or QSM independent of ADC_LRCK
Set ADC_FM <sub>x</sub> = 00,01,10	ADC_LRCK can run at SSM, DSM, or QSM independent of DAC_LRCK
Set ADC_CLK_SEL = 0 or 1	Configure ADC_SDO <sub>UT</sub> to be clocked from the ADC_SP or DAC_SP clocks.
<b>Interface Format Register (addr = 04h)</b>	
Set DIF <sub>x</sub> bits to proper serial format	Select the digital interface format when not in One-Line Mode
Set ADC_OL <sub>x</sub> bits = 00	Set ADC operating mode to Not One-Line Mode since only 2 channels of ADC are supported
Set DAC_OL <sub>x</sub> bits = 00,01,10	Select DAC operating mode, see table below for valid combinations
<b>Misc. Control Register (addr = 05h)</b>	
Set DAC_SP M/S = 0 or 1	Set DAC Serial Port to Master Mode or Slave Mode.
Set ADC_SP M/S = 0 or 1	Set ADC Serial Port to Master Mode or Slave Mode.
Set EXT ADC SCLK = 0	External ADCs are not used. Leave bit in default state.

		DAC Mode		
		Not One-Line Mode	One-Line Mode #1	One-Line Mode #2
ADC Mode	Not One-Line Mode	DAC_SCLK=64Fs/128Fs DAC_LRCK=SSM/DSM/QSM ADC_SCLK=64Fs/128Fs ADC_LRCK=SSM/DSM/QSM	DAC_SCLK=128Fs DAC_LRCK=SSM/DSM ADC_SCLK=64Fs/128Fs ADC_LRCK=SSM/DSM/QSM	DAC_SCLK=256Fs DAC_LRCK=SSM ADC_SCLK=64Fs/128Fs ADC_LRCK=SSM/DSM/QSM
	One-Line Mode #1	not valid	not valid	not valid
	One-Line Mode #2	not valid	not valid	not valid

## 4.6 Control Port Description and Timing

The control port is used to access the registers, allowing the CS42418 to be configured for the desired operational modes and formats. The operation of the control port may be completely asynchronous with respect to the audio sample rates. However, to avoid potential interference problems, the control port pins should remain static if no operation is required.

The control port has two modes: SPI and I<sup>2</sup>C, with the CS42418 acting as a slave device. SPI mode is selected if there is a high-to-low transition on the AD0/ $\overline{CS}$  pin after the  $\overline{RST}$  pin has been brought high. I<sup>2</sup>C mode is selected by connecting the AD0/ $\overline{CS}$  pin through a resistor to VLC or DGND, thereby permanently selecting the desired AD0 bit address state.

### 4.6.1 SPI Mode

In SPI mode,  $\overline{CS}$  is the CS42418 chip-select signal; CCLK is the control port bit clock (input into the CS42418 from the microcontroller); CDIN is the input data line from the microcontroller, and CDOUT is the output data line to the microcontroller. Data is clocked in on the rising edge of CCLK and out on the falling edge.

Figure 21 shows the operation of the control port in SPI mode. To write to a register, bring  $\overline{CS}$  low. The first seven bits on CDIN form the chip address and must be 1001111. The eighth bit is a read/write indicator ( $R/\overline{W}$ ), which should be low to write. The next eight bits form the Memory Address Pointer (MAP), which is set to the address of the register that is to be updated. The next eight bits are the data which will be placed into the register designated by the MAP. During writes, the CDOUT output stays in the Hi-Z state. It may be externally pulled high or low with a 47 k $\Omega$  resistor, if desired.

There is a MAP auto-increment capability, enabled by the INCR bit in the MAP register. If INCR is a zero, the MAP will stay constant for successive read or writes. If INCR is set to a 1, the MAP will auto-increment after each byte is read or written, allowing block reads or writes of successive registers.

To read a register, the MAP has to be set to the correct address by executing a partial write cycle which finishes ( $\overline{CS}$  high) immediately after the MAP byte. The MAP auto increment bit (INCR) may be set or not, as desired. To begin a read, bring  $\overline{CS}$  low, send out the chip address and set the read/write bit ( $R/\overline{W}$ ) high. The next falling edge of CCLK will clock out the MSB of the addressed register (CDOUT will leave the high

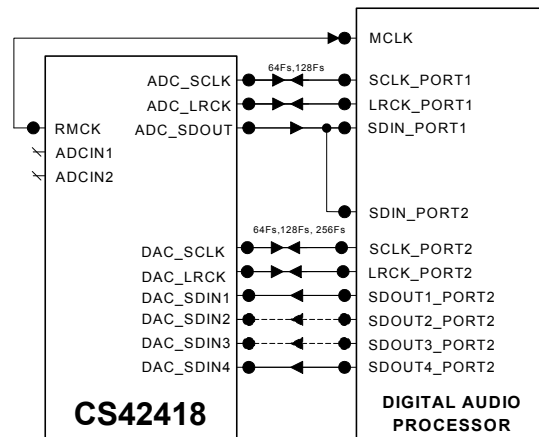
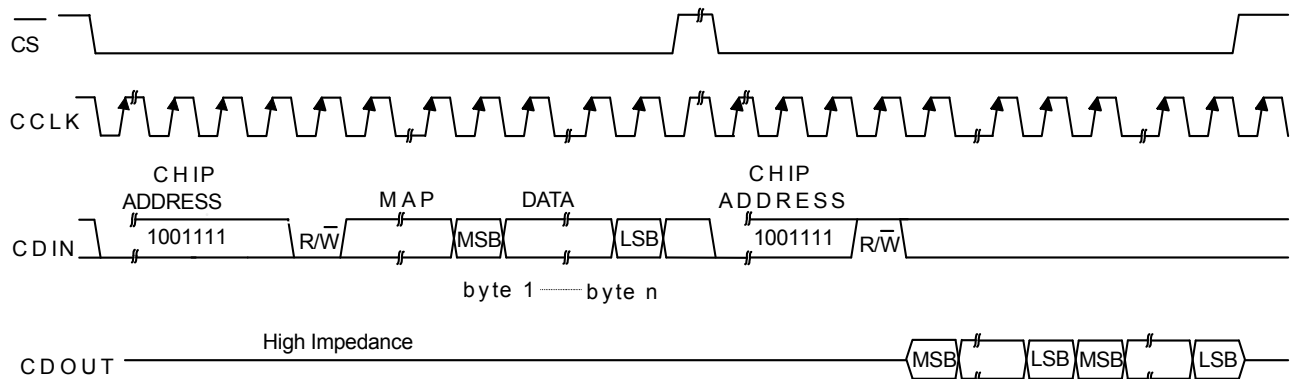


Figure 20. OLM Configuration #4



MAP = Memory Address Pointer, 8 bits, MSB first

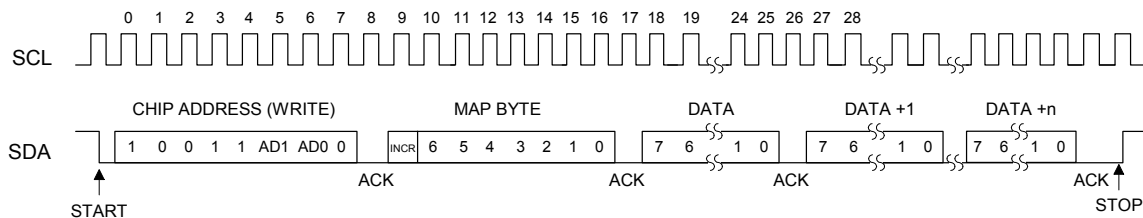
Figure 21. Control Port Timing in SPI Mode

impedance state). If the MAP auto-increment bit is set to 1, the data for successive registers will appear consecutively.

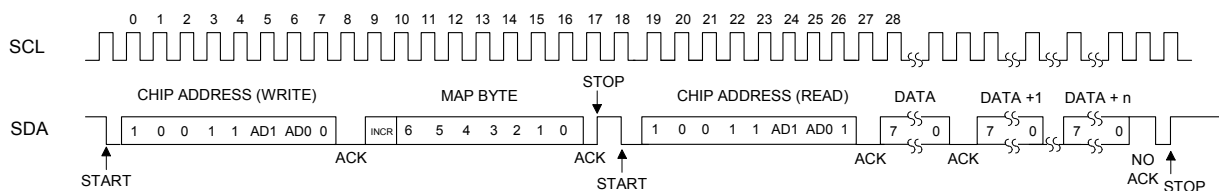
#### 4.6.2 I<sup>2</sup>C Mode

In I<sup>2</sup>C mode, SDA is a bidirectional data line. Data is clocked into and out of the part by the clock, SCL. There is no CS pin. Pins AD0 and AD1 form the two least-significant bits of the chip address and should be connected through a resistor to VLC or DGND as desired. The state of the pins is sensed while the CS42418 is being reset.

The signal timings for a read and write cycle are shown in [Figure 22](#) and [Figure 23](#). A Start condition is defined as a falling transition of SDA while the clock is high. A Stop condition is a rising transition while the clock is high. All other transitions of SDA occur while the clock is low. The first byte sent to the CS42418 after a Start condition consists of a 7-bit chip address field and a R/W bit (high for a read, low for a write). The upper 5 bits of the 7-bit address field are fixed at 10011. To communicate with a CS42418, the chip address field, which is the first byte sent to the CS42418, should match 10011, followed by the settings of the AD1 and AD0. The eighth bit of the address is the R/W bit. If the operation is a write, the next byte is the Memory Address Pointer (MAP) which selects the register to be read or written. If the operation is a read, the contents of the register pointed to by the MAP will be output. Setting the auto-increment bit in MAP allows successive reads or writes of consecutive registers. Each byte is separated by an acknowledge bit. The ACK bit is output from the CS42418 after each input byte is read and is input to the CS42418 from the microcontroller after each transmitted byte.



**Figure 22. Control Port Timing, I<sup>2</sup>C Write**



**Figure 23. Control Port Timing, I<sup>2</sup>C Read**

Since the read operation cannot set the MAP, an aborted write operation is used as a preamble. As shown in [Figure 23](#), the write operation is aborted after the acknowledge for the MAP byte by sending a stop condition. The following pseudocode illustrates an aborted write operation followed by a read operation.

- Send start condition.
- Send 10011xx0 (chip address & write operation).
- Receive acknowledge bit.
- Send MAP byte, auto increment off.

Receive acknowledge bit.  
Send stop condition, aborting write.  
Send start condition.  
Send 10011xx1(chip address & read operation).  
Receive acknowledge bit.  
Receive byte, contents of selected register.  
Send acknowledge bit.  
Send stop condition.

Setting the auto increment bit in the MAP allows successive reads or writes of consecutive registers. Each byte is separated by an acknowledge bit.

## 4.7 Interrupts

The CS42418 has a comprehensive interrupt capability. The INT output pin is intended to drive the interrupt input pin on the host microcontroller. The INT pin may be set to be active low, active high or active low with no active pull-up transistor. This last mode is used for active low, wired-OR hook-ups, with multiple peripherals connected to the microcontroller interrupt input pin.

Many conditions can cause an interrupt, as listed in the interrupt status register descriptions (see [“Interrupt Status \(address 20h\) \(Read Only\)” on page 56](#)). Each source may be masked off through mask register bits. In addition, each source may be set to rising edge, falling edge, or level-sensitive. Combined with the option of level-sensitive or edge-sensitive modes within the microcontroller, many different configurations are possible, depending on the needs of the equipment designer.

## 4.8 Reset and Power-Up

Reliable power-up can be accomplished by keeping the device in reset until the power supplies, clocks and configuration pins are stable. It is also recommended that reset be activated if the analog or digital supplies drop below the recommended operating condition to prevent power-glitch-related issues.

When  $\overline{\text{RST}}$  is low, the CS42418 enters a low-power mode and all internal states are reset, including the control port and registers, and the outputs are muted. When  $\overline{\text{RST}}$  is high, the control port becomes operational, and the desired settings should be loaded into the control registers. Writing a 0 to the PDN bit in the Power Control Register will then cause the part to leave the low-power state and begin operation. If the internal PLL is selected as the clock source, the serial audio outputs will be enabled after the PLL has settled (see [“Power Control \(address 02h\)” on page 43](#) for more details).

The delta-sigma modulators settle in a matter of microseconds after the analog section is powered, either through the application of power or by setting the  $\overline{\text{RST}}$  pin high. However, the voltage reference will take much longer to reach a final value due to the presence of external capacitance on the FILT+ pin. A time delay of approximately 80 ms is required after applying power to the device or after exiting a reset state. During this voltage reference ramp delay, all serial ports and DAC outputs will be automatically muted.

## 4.9 Power Supply, Grounding, and PCB Layout

As with any high-resolution converter, the CS42418 requires careful attention to power supply and grounding arrangements if its potential performance is to be realized. Figure 5 and 6 show the recommended power arrangements, with VA connected to clean supplies. VD, which powers the digital circuitry, may be run from the system logic supply. Alternatively, VD may be powered from the analog supply via a ferrite bead. In this case, no additional devices should be powered from VD.

For applications where the output of the PLL is required to be low jitter, use a separate, low-noise analog +5 V supply for VA, decoupled to AGND. In addition, a separate region of analog ground plane around the FILT+, VQ, LPFLT, REFGND, AGND, and VA pins is recommended.

Extensive use of power and ground planes, ground plane fill in unused areas and surface mount decoupling capacitors are recommended. Decoupling capacitors should be as near to the pins of the CS42418 as possible. The low value ceramic capacitor should be the nearest to the pin and should be mounted on the same side of the board as the CS42418 to minimize inductance effects. All signals, especially clocks, should be kept away from the FILT+, VQ and LPFLT pins in order to avoid unwanted coupling into the modulators and PLL. The FILT+ and VQ decoupling capacitors, particularly the 0.1  $\mu\text{F}$ , must be positioned to minimize the electrical path from FILT+ and REFGND. The CDB42428 evaluation board demonstrates the optimum layout and power supply arrangements.

## 5. REGISTER QUICK REFERENCE

Addr	Function	7	6	5	4	3	2	1	0
01h	ID <a href="#">page 42</a> default	Chip_ID3 1	Chip_ID2 1	Chip_ID1 1	Chip_ID0 0	Rev_ID3 X	Rev_ID2 X	Rev_ID1 X	Rev_ID0 X
02h	Power Control <a href="#">page 43</a> default	Reserved 0	PDN_PLL 0	PDN_ADC 0	PDN_DAC4 0	PDN_DAC3 0	PDN_DAC2 0	PDN_DAC1 0	PDN 1
03h	Functional Mode <a href="#">page 43</a> default	DAC_FM1 0	DAC_FM0 0	ADC_FM1 0	ADC_FM0 0	Reserved 0	ADC_CLK SEL 0	DAC_DEM 0	Reserved 0
04h	Interface Formats <a href="#">page 45</a> default	DIF1 0	DIF0 1	ADC_OL1 0	ADC_OL0 0	DAC_OL1 0	DAC_OL0 0	Reserved 0	CODEC_RJ16 0
05h	Misc Control <a href="#">page 46</a> default	Ext ADC SCLK 0	HiZ_RMCK 0	Reserved 0	FREEZE 0	FILTSEL 0	HPF_FREEZE 0	DAC_SP M/S 0	ADC_SP M/S 0
06h	Clock Control <a href="#">page 48</a> default	RMCK_DIV1 0	RMCK_DIV0 0	OMCK Freq1 0	OMCK Freq0 0	PLL_LRCK 0	SW_CTRL1 0	SW_CTRL0 0	FRC_PLL_LK 0
07h	OMCK/PLL_CLK Ratio <a href="#">page 49</a> default	RATIO7 X	RATIO6 X	RATIO5 X	RATIO4 X	RATIO3 X	RATIO2 X	RATIO1 X	RATIO0 X
08h	Clock Status <a href="#">page 50</a> default	Reserved X	Reserved X	Reserved X	Reserved X	Active_CLK X	PLL_CLK2 X	PLL_CLK1 X	PLL_CLK0 X
09h-0Ch	Reserved default	Reserved X	Reserved X	Reserved X	Reserved X	Reserved X	Reserved X	Reserved X	Reserved X
0Dh	Volume Control <a href="#">page 51</a> default	Reserved 0	SNGVOL 0	SZC1 0	SZC0 0	AMUTE 1	Reserved 0	RAMP_UP 0	RAMP_DN 0
0Eh	Channel Mute <a href="#">page 52</a> default	B4_MUTE 0	A4_MUTE 0	B3_MUTE 0	A3_MUTE 0	B2_MUTE 0	A2_MUTE 0	B1_MUTE 0	A1_MUTE 0
0Fh	Vol. Control A1 <a href="#">page 53</a> default	A1_VOL7 0	A1_VOL6 0	A1_VOL5 0	A1_VOL4 0	A1_VOL3 0	A1_VOL2 0	A1_VOL1 0	A1_VOL0 0
10h	Vol. Control B1 <a href="#">page 53</a> default	B1_VOL7 0	B1_VOL6 0	B1_VOL5 0	B1_VOL4 0	B1_VOL3 0	B1_VOL2 0	B1_VOL1 0	B1_VOL0 0
11h	Vol. Control A2 <a href="#">page 53</a> default	A2_VOL7 0	A2_VOL6 0	A2_VOL5 0	A2_VOL4 0	A2_VOL3 0	A2_VOL2 0	A2_VOL1 0	A2_VOL0 0
12h	Vol. Control B2 <a href="#">page 53</a> default	B2_VOL7 0	B2_VOL6 0	B2_VOL5 0	B2_VOL4 0	B2_VOL3 0	B2_VOL2 0	B2_VOL1 0	B2_VOL0 0

Addr	Function	7	6	5	4	3	2	1	0
13h	Vol. Control A3 <a href="#">page 53</a> default	A3_VOL7 0	A3_VOL6 0	A3_VOL5 0	A3_VOL4 0	A3_VOL3 0	A3_VOL2 0	A3_VOL1 0	A3_VOL0 0
14h	Vol. Control B3 <a href="#">page 53</a> default	B3_VOL7 0	B3_VOL6 0	B3_VOL5 0	B3_VOL4 0	B3_VOL3 0	B3_VOL2 0	B3_VOL1 0	B3_VOL0 0
15h	Vol. Control A4 <a href="#">page 53</a> default	A4_VOL7 0	A4_VOL6 0	A4_VOL5 0	A4_VOL4 0	A4_VOL3 0	A4_VOL2 0	A4_VOL1 0	A4_VOL0 0
16h	Vol. Control B4 <a href="#">page 53</a> default	B4_VOL7 0	B4_VOL6 0	B4_VOL5 0	B4_VOL4 0	B4_VOL3 0	B4_VOL2 0	B4_VOL1 0	B4_VOL0 0
17h	Channel Invert <a href="#">page 53</a> default	INV_B4 0	INV_A4 0	INV_B3 0	INV_A3 0	INV_B2 0	INV_A2 0	INV_B1 0	INV_A1 0
18h	Mixing Ctrl Pair 1 <a href="#">page 53</a> default	P1_A=B 0	Reserved 0	Reserved 0	P1_ATAPI4 0	P1_ATAPI3 1	P1_ATAPI2 0	P1_ATAPI1 0	P1_ATAPI0 1
19h	Mixing Ctrl Pair 2 <a href="#">page 53</a> default	P2_A=B 0	Reserved 0	Reserved 0	P2_ATAPI4 0	P2_ATAPI3 1	P2_ATAPI2 0	P2_ATAPI1 0	P2_ATAPI0 1
1Ah	Mixing Ctrl Pair 3 <a href="#">page 53</a> default	P3_A=B 0	Reserved 0	Reserved 0	P3_ATAPI4 0	P3_ATAPI3 1	P3_ATAPI2 0	P3_ATAPI1 0	P3_ATAPI0 1
1Bh	Mixing Ctrl Pair 4 <a href="#">page 53</a> default	P4_A=B 0	Reserved 0	Reserved 0	P4_ATAPI4 0	P4_ATAPI3 1	P4_ATAPI2 0	P4_ATAPI1 0	P4_ATAPI0 1
1Ch	ADC Left Ch. Gain <a href="#">page 55</a> default	Reserved 0	Reserved 0	LGAIN5 0	LGAIN4 0	LGAIN3 0	LGAIN2 0	LGAIN1 0	LGAIN0 0
1Dh	ADC Right Ch. Gain <a href="#">page 55</a> default	Reserved 0	Reserved 0	RGAIN5 0	RGAIN4 0	RGAIN3 0	RGAIN2 0	RGAIN1 0	RGAIN0 0
1Eh	Interrupt Control <a href="#">page 55</a> default	SP_SYNC 0	Reserved 0	DE-EMPH1 0	DE-EMPH0 0	INT1 0	INT0 0	Reserved 0	Reserved 0
1Fh	Reserved default	Reserved 0	Reserved 0	Reserved 0	Reserved 0	Reserved 0	Reserved 0	Reserved 0	Reserved 0
20h	Interrupt Status <a href="#">page 56</a> default	UNLOCK X	Reserved X	Reserved X	Reserved X	Reserved X	Reserved X	OverFlow X	Reserved X
21h	Interrupt Mask <a href="#">page 57</a> default	UNLOCKM 0	Reserved 0	Reserved 0	Reserved 0	Reserved 0	Reserved 0	OverFlowM 0	Reserved 0
22h	Interrupt Mode MSB <a href="#">page 57</a> default	UNLOCK1 0	Reserved 0	Reserved 0	Reserved 0	Reserved 0	Reserved 0	OF1 0	Reserved 0



Addr	Function	7	6	5	4	3	2	1	0
23h	Interrupt Mode LSB <a href="#">page 57</a> default	UNLOCK0 0	Reserved 0	Reserved 0	Reserved 0	Reserved 0	Reserved 0	OF0 0	Reserved 0
24h-27h	Reserved default	Reserved 0	Reserved 0	Reserved 0	Reserved 0	Reserved 0	Reserved 0	Reserved 0	Reserved 0
28h	MUTEC <a href="#">page 57</a> default	Reserved 0	Reserved 0	MCPolarity 0	M_AOUTA1 1	M_AOUTB1 1	M_AOUTA2 M_AOUTB2 1	M_AOUTA3 M_AOUTB3 1	M_AOUTA4 M_AOUTB4 1
29h	GPO7 <a href="#">page 58</a> default	Mode1 0	Mode0 0	Polarity 0	Function4 0	Function3 0	Function2 0	Function1 0	Function0 0
2Ah	GPO6 <a href="#">page 58</a> default	Mode1 0	Mode0 0	Polarity 0	Function4 0	Function3 0	Function2 0	Function1 0	Function0 0
2Bh	GPO5 <a href="#">page 58</a> default	Mode1 0	Mode0 0	Polarity 0	Function4 0	Function3 0	Function2 0	Function1 0	Function0 0
2Ch	GPO4 <a href="#">page 58</a> default	Mode1 0	Mode0 0	Polarity 0	Function4 0	Function3 0	Function2 0	Function1 0	Function0 0
2Dh	GPO3 <a href="#">page 58</a> default	Mode1 0	Mode0 0	Polarity 0	Function4 0	Function3 0	Function2 0	Function1 0	Function0 0
2Eh	GPO2 <a href="#">page 58</a> default	Mode1 0	Mode0 0	Polarity 0	Function4 0	Function3 0	Function2 0	Function1 0	Function0 0
2Fh	GPO1 <a href="#">page 58</a> default	Mode1 0	Mode0 0	Polarity 0	Function4 0	Function3 0	Function2 0	Function1 0	Function0 0

## 6. REGISTER DESCRIPTION

All registers are read/write except for the I.D. and Revision Register, OMCK/PLL\_CLK Ratio Register, Clock Status and Interrupt Status Register which are read only. See the following bit definition tables for bit assignment information. The default state of each bit after a power-up sequence or reset is listed in each bit description.

### 6.1 Memory Address Pointer (MAP)

Not a register

7	6	5	4	3	2	1	0
INCR	MAP6	MAP5	MAP4	MAP3	MAP2	MAP1	MAP0

#### 6.1.1 INCREMENT (INCR)

*Default = 1*

Function:

Memory Address Pointer auto increment control

- 0 - MAP is not incremented automatically.
- 1 - Internal MAP is automatically incremented after each read or write.

#### 6.1.2 MEMORY ADDRESS POINTER (MAPX)

*Default = 0000001*

Function:

Memory Address Pointer (MAP). Sets the register address that will be read or written by the control port.

### 6.2 Chip I.D. and Revision Register (address 01h) (Read Only)

7	6	5	4	3	2	1	0
Chip_ID3	Chip_ID2	Chip_ID1	CHIP_ID0	Rev_ID3	Rev_ID2	Rev_ID1	Rev_ID0

#### 6.2.1 CHIP I.D. (CHIP\_IDX)

*Default = 1110*

Function:

I.D. code for the CS42418. Permanently set to 1110.

#### 6.2.2 CHIP REVISION (REV\_IDX)

*Default = xxxx*

Function:

CS42418 revision level.

Revision C1 is coded as 0101

Revision C is coded as 0011.

### 6.3 Power Control (address 02h)

7	6	5	4	3	2	1	0
Reserved	PDN_PLL	PDN_ADC	PDN_DAC4	PDN_DAC3	PDN_DAC2	PDN_DAC1	PDN

#### 6.3.1 POWER DOWN PLL (PDN\_PLL)

*Default = 0*

*Function:*

When enabled, the PLL is held in a reset state. It is advised that any change of this bit be made while the DACs are muted or the power-down bit (PDN) is enabled to eliminate the possibility of audible artifacts.

#### 6.3.2 POWER DOWN ADC (PDN\_ADC)

*Default = 0*

*Function:*

When enabled the stereo analog to digital converter will remain in a reset state. It is advised that any change of this bit be made while the DACs are muted or the power-down bit (PDN) is enabled to eliminate the possibility of audible artifacts.

#### 6.3.3 POWER DOWN DAC PAIRS (PDN\_DACX)

*Default = 0*

*Function:*

When enabled the respective DAC channel pair x (AOUTAx and AOUTBx) will remain in a reset state.

#### 6.3.4 POWER DOWN (PDN)

*Default = 1*

*Function:*

The entire device will enter a low-power state when this function is enabled, and the contents of the control registers are retained in this mode. The power-down bit defaults to 'enabled' on power-up and must be disabled before normal operation can occur.

### 6.4 Functional Mode (address 03h)

7	6	5	4	3	2	1	0
DAC_FM1	DAC_FM0	ADC_FM1	ADC_FM0	Reserved	ADC_SP_SEL	DAC_DEM	Reserved

#### 6.4.1 DAC FUNCTIONAL MODE (DAC\_FMX)

*Default = 00*

00 - Single-Speed Mode (4 to 50 kHz sample rates)

01 - Double-Speed Mode (50 to 100 kHz sample rates)

10 - Quad-Speed Mode (100 to 192 kHz sample rates)

11 - Reserved

*Function:*

Selects the required range of sample rates for all converters clocked from the DAC serial port (DAC\_SP). Bits must be set to the corresponding sample rate range when the DAC\_SP is in Master or Slave Mode.

**6.4.2 ADC FUNCTIONAL MODE (ADC\_FMX)**

*Default = 00*

- 00 - Single-Speed Mode (4 to 50 kHz sample rates)
- 01 - Double-Speed Mode (50 to 100 kHz sample rates)
- 10 - Quad-Speed Mode (100 to 192 kHz sample rates)
- 11 - Reserved

Function:

Selects the required range of sample rates for the ADC serial port (ADC\_SP). These bits must be set to the corresponding sample rate range when the ADC\_SP is in Master or Slave Mode.

**6.4.3 ADC CLOCK SOURCE SELECT (ADC\_CLK SEL)**

*Default = 0*

- 0 - ADC\_SDOOUT clocked from the DAC\_SP.
- 1 - ADC\_SDOOUT clocked from the ADC\_SP.

Function:

Selects the desired clocks for the ADC serial output.

**6.4.4 DAC DE-EMPHASIS CONTROL (DAC\_DEM)**

*Default = 0*

Function:

Enables the digital filter to maintain the standard 15 $\mu$ s/50 $\mu$ s digital de-emphasis filter response at the auto-detected sample rate of either 32, 44.1, or 48 kHz. De-emphasis will not be enabled, regardless of this register setting, at any other sample rate. If the FRC\_PLL\_LK bit is set to a '1'b, the auto-detect sample rate feature is disabled. To apply the correct de-emphasis filter, use the DE-EMPH bits in the Interrupt Control (address 1Eh) register to set the appropriate sample rate.

DAC_DEM reg03h[1]	FRC_PLL_LK reg06h[0]	DE-EMPH[1:0] reg1Eh[5:4]	De-Emphasis Mode
0	X	XX	No De-Emphasis
1	0	XX	Auto-Detect Fs
1	1	00	Reserved
		01	32 kHz
		10	44.1 kHz
		11	48 kHz

**Table 5. DAC De-Emphasis**

## 6.5 Interface Formats (address 04h)

7	6	5	4	3	2	1	0
DIF1	DIF0	ADC_OL1	ADC_OL0	DAC_OL1	DAC_OL0	Reserved	CODEC_RJ16

### 6.5.1 DIGITAL INTERFACE FORMAT (DIFX)

*Default = 01*

Function:

These bits select the digital interface format used for the ADC & DAC Serial Port when not in One-Line Mode. The required relationship between the Left/Right clock, serial clock, and serial data is defined by the Digital Interface Format and the options are detailed in [Figures 11-13](#).

DIF1	DIF0	Description	Format	Figure
0	0	Left-Justified, up to 24-bit data	0	<a href="#">13</a>
0	1	I <sup>2</sup> S, up to 24-bit data	1	<a href="#">12</a>
1	0	Right-Justified, 16-bit or 24-bit data	2	<a href="#">11</a>
1	1	Reserved	-	-

**Table 6. Digital Interface Formats**

### 6.5.2 ADC ONE\_LINE MODE (ADC\_OLX)

*Default = 00*

Function:

These bits select which mode the ADC will use. By default, One-Line Mode is disabled, but it can be selected using these bits. Please see [Figures 14](#) and [15](#) to see the format of One-Line Mode 1 and One-Line Mode 2.

ADC_OL1	ADC_OL0	Description	Format	Figure
0	0	DIF: take the DIF setting from reg04h[7:6]	-	-
0	1	One-Line #1	3	<a href="#">14</a>
1	0	One-Line #2	4	<a href="#">15</a>
1	1	Reserved	-	-

**Table 7. ADC One-Line Mode**

### 6.5.3 DAC ONE\_LINE MODE (DAC\_OLX)

*Default = 00*

Function:

These bits select which mode the DAC will use. By default, One-Line Mode is disabled, but it can be selected using these bits. Please see [Figures 14](#) and [15](#) to see the format of One-Line Mode 1 and One-Line Mode 2.

DAC_OL1	DAC_OL0	Description	Format	Figure
0	0	DIF: take the DIF setting from reg04h[7:6]	-	-
0	1	One-Line #1	3	<a href="#">14</a>
1	0	One-Line #2	4	<a href="#">15</a>
1	1	Reserved	-	-

**Table 8. DAC One-Line Mode**

### 6.5.4 CODEC RIGHT-JUSTIFIED BITS (CODEC\_RJ16)

*Default = 0*

Function:

This bit determines how many bits to use during Right-Justified Mode for the DAC and ADC. By default, the DAC and ADC will be in RJ24 bits, but can be set to RJ16 bits.

0 - 24 bit mode.

1 - 16 bit mode.

## 6.6 Misc Control (address 05h)

7	6	5	4	3	2	1	0
Ext ADC SCLK	HiZ_RMCK	Reserved	FREEZE	FILT_SEL	HPF_FREEZE	DAC_SP M/S	ADC_SP M/S

### 6.6.1 EXTERNAL ADC SCLK SELECT (EXT ADC SCLK)

*Default = 0*

Function:

This bit identifies the SCLK source for the external ADCs attached to the ADCIN1/2 ports when using One-Line Mode of operation.

0 - ADC\_SCLK is used as external ADC SCLK.

1 - DAC\_SCLK is used as external ADC SCLK.

### 6.6.2 RMCK HIGH IMPEDANCE (HIZ\_RMCK)

*Default = 0*

Function:

This bit is used to create a high-impedance output on RMCK when the clock signal is not required.

### 6.6.3 FREEZE CONTROLS (FREEZE)

*Default = 0*

Function:

This function will freeze the previous output of, and allow modifications to be made to, the Volume Control (address 0Fh-16h), Channel Invert (address 17h), and Mixing Control Pair (address 18h-1Bh) registers without the changes taking effect until the FREEZE is disabled. To make multiple changes in these control port registers take effect simultaneously, enable the FREEZE bit, make all register changes, then disable the FREEZE bit.

#### 6.6.4 INTERPOLATION FILTER SELECT (FILT\_SEL)

*Default = 0*

Function:

This feature allows the user to select whether the DAC interpolation filter has a fast- or slow roll-off. For filter characteristics, please See [“D/A Digital Filter Characteristics” on page 10](#).

0 - Fast roll-off.

1 - Slow roll-off.

#### 6.6.5 HIGH-PASS FILTER FREEZE (HPF\_FREEZE)

*Default = 0*

Function:

When this bit is set, the internal high-pass filter for the selected channel will be disabled. The current DC offset value will be frozen and continue to be subtracted from the conversion result. See [“A/D Digital Filter Characteristics” on page 8](#).

#### 6.6.6 DAC SERIAL PORT MASTER/SLAVE SELECT (DAC\_SP M/ $\bar{S}$ )

*Default = 0*

Function:

In Master Mode, DAC\_SCLK and DAC\_LRCK are outputs. Internal dividers will divide the master clock to generate the serial clock and left/right clock. In Slave Mode, DAC\_SCLK and DAC\_LRCK become inputs.

If the DAC\_SP is in Slave Mode, DAC\_LRCK must be present for proper device operation.

#### 6.6.7 ADC SERIAL PORT MASTER/SLAVE SELECT (ADC\_SP M/ $\bar{S}$ )

*Default = 0*

Function:

In Master Mode, ADC\_SCLK and ADC\_LRCK are outputs. Internal dividers will divide the master clock to generate the serial clock and left/right clock. In Slave Mode, ADC\_SCLK and ADC\_LRCK become inputs.

If the ADC\_SP is in Slave Mode, ADC\_LRCK must be present for proper device operation.

To use the PLL to lock to ADC\_LRCK, the ADC\_SP must be in Slave Mode. When using the PLL to lock to LRCK, if ADC\_SDOUT is configured to be clocked by the ADC\_SP, both ADC\_SCLK and ADC\_LRCK must be present. If ADC\_SDOUT is configured to be clocked by the DAC\_SP, only the ADC\_LRCK signal must be applied.

## 6.7 Clock Control (address 06h)

7	6	5	4	3	2	1	0
RMCK_DIV1	RMCK_DIV0	OMCK Freq1	OMCK Freq0	PLL_LRCK	SW_CTRL1	SW_CTRL0	FRC_PLL_LK

### 6.7.1 RMCK DIVIDE (RMCK\_DIVX)

*Default = 00*

Function:

Divides/multiplies the internal MCLK, either from the PLL or OMCK, by the selected factor.

RMCK_DIV1	RMCK_DIV0	Description
0	0	Divide by 1
0	1	Divide by 2
1	0	Divide by 4
1	1	Multiply by 2

**Table 9. RMCK Divider Settings**

### 6.7.2 OMCK FREQUENCY (OMCK\_FREQX)

*Default = 00*

Function:

Sets the appropriate frequency for the supplied OMCK.

OMCK Freq1	OMCK Freq0	Description
0	0	11.2896 MHz or 12.2880 MHz
0	1	16.9344 MHz or 18.4320 MHz
1	0	22.5792 MHz or 24.5760 MHz
1	1	Reserved

**Table 10. OMCK Frequency Settings**

### 6.7.3 PLL LOCK TO LRCK (PLL\_LRCK)

*Default = 0*

*0 - Disabled*

*1 - Enabled*

Function:

When enabled, the internal PLL of the CS42418 will lock to the ADC\_LRCK of the ADC serial port (ADC\_LRCK) while the ADC\_SP is in Slave Mode.



### 6.7.4 MASTER CLOCK SOURCE SELECT (SW\_CTRLX)

Default = 00

Function:

These two bits, along with the UNLOCK bit in register “Interrupt Status (address 20h) (Read Only)” on page 56, determine the master clock source for the CS42418. When SW\_CTRL1 and SW\_CTRL0 are set to '00'b, selecting the output of the PLL as the internal clock source, and the PLL becomes unlocked, RMCK will equal OMCK, but all internal and serial port timings are not valid.

When the FRC\_PLL\_LK bit is set to '1'b, the SW\_CTRLX bits must be set to '00'b. If the PLL becomes unlocked when the FRC\_PLL\_LK bit is set to '1'b, RMCK will not equal OMCK.

SW_CTRL1	SW_CTRL0	UNLOCK	Description
0	0	X	Manual setting, MCLK sourced from PLL.
0	1	X	Manual setting, MCLK sourced from OMCK.
1	0	0 1	Hold, keep same MCLK source. Auto switch, MCLK sourced from OMCK.
1	1	0 1	Auto switch, MCLK sourced from PLL. Auto switch, MCLK sourced from OMCK.

**Table 11. Master Clock Source Select**

### 6.7.5 FORCE PLL LOCK (FRC\_PLL\_LK)

Default = 0

Function:

This bit is used to enable the PLL to lock to the ADC\_LRCK with the absence of a clock signal on OMCK. When set to a '1'b, the auto-detect sample frequency feature will be disabled and the SW\_CTRLX bits must be set to '00'b. The OMCK/PLL\_CLK Ratio (address 07h) (Read Only) register contents are not valid, and the PLL\_CLK[2:0] bits will be set to '111'b. Use the DE-EMPH[1:0] bits to properly apply de-emphasis filtering.

## 6.8 OMCK/PLL\_CLK Ratio (address 07h) (Read Only)

7	6	5	4	3	2	1	0
RATIO7(2 <sup>1</sup> )	RATIO6(2 <sup>0</sup> )	RATIO5(2 <sup>-1</sup> )	RATIO4(2 <sup>-2</sup> )	RATIO3(2 <sup>-3</sup> )	RATIO2(2 <sup>-4</sup> )	RATIO1(2 <sup>-5</sup> )	RATIO0(2 <sup>-6</sup> )

### 6.8.1 OMCK/PLL\_CLK RATIO (RATIOX)

Default = xxxxxxxx

Function:

This register allows the user to find the exact absolute frequency of the recovered MCLK coming from the PLL. This value is represented as an integer (RATIO7:6) and a fractional (RATIO5:0) part. For example, an OMCK/PLL\_CLK ratio of 1.5 would be displayed as 60h.

**6.9 Clock Status (address 08h) (Read Only)**

7	6	5	4	3	2	1	0
Reserved	Reserved	Reserved	Reserved	Active_CLK	PLL_CLK2	PLL_CLK1	PLL_CLK0

**6.9.1 SYSTEM CLOCK SELECTION (ACTIVE\_CLK)**

*Default = x*  
 0 - Output of PLL  
 1 - OMCK  
 Function:

This bit identifies the source of the internal system clock (MCLK).

**6.9.2 PLL CLOCK FREQUENCY (PLL\_CLKX)**

*Default = xxx*  
 Function:

The CS42418 detects the ratio between the OMCK and the recovered clock from the PLL. Given the absolute frequency of OMCK, this ratio may be used to determine the absolute frequency of the PLL clock.

If a 12.2880 MHz, 18.4320 MHz, or 24.5760 MHz clock is applied to OMCK and the OMCK\_FREQX bits are set accordingly (see “OMCK Frequency (OMCK Freqx)” on page 48), the absolute frequency of the PLL clock is reflected in the PLL\_CLKX bits according to Table 14. If the absolute frequency of the PLL clock does not match one of the frequencies given in Table 14, these bits will reflect the closest available value.

If the frequency of OMCK is not equal to 12.2880 MHz, 18.4320 MHz, or 24.5760 MHz, the contents of the PLL\_CLKX bits will be inaccurate and should be disregarded. In this case, an external controller may use the contents of the OMCK/PLL\_CLK ratio register and the known OMCK frequency to determine the absolute frequency of the PLL clock.

**Note:** These bits are set to ‘111’b when the FRC\_PLL\_LK bit is ‘1’b.

PLL_CLK2	PLL_CLK1	PLL_CLK0	Description
0	0	0	8.1920 MHz
0	0	1	11.2896 MHz
0	1	0	12.288 MHz
0	1	1	16.3840 MHz
1	0	0	22.5792 MHz
1	0	1	24.5760 MHz
1	1	0	45.1584 MHz
1	1	1	49.1520 MHz

**Table 12. PLL Clock Frequency Detection**

**6.10 Volume Transition Control (address 0Dh)**

7	6	5	4	3	2	1	0
Reserved	SNGVOL	SZC1	SZC0	AMUTE	MUTE ADC_SP	RAMP_UP	RAMP_DN

**6.10.1 SINGLE VOLUME CONTROL (SNGVOL)**

*Default = 0*

Function:

The individual channel volume levels are independently controlled by their respective Volume Control registers when this function is disabled. When enabled, the volume on all channels is determined by the A1 Channel Volume Control register and the other Volume Control registers are ignored.

**6.10.2 SOFT RAMP AND ZERO CROSS CONTROL (SZCX)**

*Default = 00*

00 - Immediate Change

01 - Zero Cross

10 - Soft Ramp

11 - Soft Ramp on Zero Crossings

Function:

Immediate Change

When Immediate Change is selected, all level changes will take effect immediately in one step.

Zero Cross

Zero Cross Enable dictates that signal-level changes, either by attenuation changes or muting, will occur on a signal zero crossing to minimize audible artifacts. The requested level-change will occur after a timeout period between 512 and 1024 sample periods (10.7 ms to 21.3 ms at 48 kHz sample rate) if the signal does not encounter a zero crossing. The zero cross function is independently monitored and implemented for each channel.

Soft Ramp

Soft Ramp allows level changes, both muting and attenuation, to be implemented by incrementally ramping, in 1/8 dB steps, from the current level to the new level at a rate of 1 dB per 8 left/right clock periods.

Soft Ramp on Zero Crossing

Soft Ramp and Zero Cross Enable dictates that signal level changes, either by attenuation changes or muting, will occur in 1/8 dB steps and be implemented on a signal zero crossing. The 1/8 dB level change will occur after a timeout period between 512 and 1024 sample periods (10.7 ms to 21.3 ms at 48 kHz sample rate) if the signal does not encounter a zero crossing. The zero cross function is independently monitored and implemented for each channel.

**6.10.3 AUTO-MUTE (AMUTE)**

*Default = 1*

0 - Disabled

1 - Enabled

Function:

The digital-to-analog converters of the CS42418 will mute the output following the reception of 8192 consecutive audio samples of static 0 or -1. A single sample of non-static data will release the mute. Detection and muting is done independently for each channel. The quiescent voltage on the output will be retained, and the MUTE pin will go active during the mute period. The muting function is affected, similar to volume control changes, by the Soft and Zero Cross bits (SZC[1:0]).

**6.10.4 SOFT VOLUME RAMP-UP AFTER ERROR (RMP\_UP)**

*Default = 0*

0 - Disabled

1 - Enabled

Function:

An un-mute will be performed after executing a filter mode change, after a MCLK/LRCK ratio change or error, and after changing the Functional Mode. When this feature is enabled, this un-mute is affected, similar to attenuation changes, by the Soft and Zero Cross bits (SZC[1:0]). When disabled, an immediate un-mute is performed in these instances.

**Note:** For best results, it is recommended that this bit be used in conjunction with the RMP\_DN bit.

**6.10.5 SOFT RAMP-DOWN BEFORE FILTER MODE CHANGE (RMP\_DN)**

*Default = 0*

0 - Disabled

1 - Enabled

Function:

A mute will be performed prior to executing a filter mode or de-emphasis mode change. When this feature is enabled, this mute is affected, similar to attenuation changes, by the Soft and Zero Cross bits (SZC[1:0]). When disabled, an immediate mute is performed prior to executing a filter mode or de-emphasis mode change.

**Note:** For best results, it is recommended that this bit be used in conjunction with the RMP\_UP bit.

**6.11 Channel Mute (address 0Eh)**

7	6	5	4	3	2	1	0
B4_MUTE	A4_MUTE	B3_MUTE	A3_MUTE	B2_MUTE	A2_MUTE	B1_MUTE	A1_MUTE

**6.11.1 INDEPENDENT CHANNEL MUTE (XX\_MUTE)**

*Default = 0*

0 - Disabled

1 - Enabled

Function:

The digital-to-analog converter outputs of the CS42418 will mute when enabled. The quiescent voltage on the outputs will be retained. The muting function is affected, similar to attenuation changes, by the Soft and Zero Cross bits (SZC[1:0]).

**6.12 Volume Control (addresses 0Fh, 10h, 11h, 12h, 13h, 14h, 15h, 16h)**

7	6	5	4	3	2	1	0
xx_VOL7	xx_VOL6	xx_VOL5	xx_VOL4	xx_VOL3	xx_VOL2	xx_VOL1	xx_VOL0

**6.12.1 VOLUME CONTROL (XX\_VOL)**

*Default = 0*

Function:

The Digital Volume Control registers allow independent control of the signal levels in 0.5 dB increments from 0 to -127 dB. Volume settings are decoded as shown in Table 13. The volume changes are implemented as dictated by the Soft and Zero Cross bits (SZC[1:0]). All volume settings less than -127 dB are equivalent to enabling the MUTE bit for the given channel.

Binary Code	Decimal Value	Volume Setting
00000000	0	0 dB
00101000	40	-20 dB
01010000	80	-40 dB
01111000	120	-60 dB
10110100	180	-90 dB

**Table 13. Example Digital Volume Settings**

**6.13 Channel Invert (address 17h)**

7	6	5	4	3	2	1	0
INV_B4	INV_A4	INV_B3	INV_A3	INV_B2	INV_A2	INV_B1	INV_A1

**6.13.1 INVERT SIGNAL POLARITY (INV\_XX)**

*Default = 0*

0 - Disabled

1 - Enabled

Function:

When enabled, these bits will invert the signal polarity of their respective channels.

**6.14 Mixing Control Pair 1 (Channels A1 & B1) (address 18h)**
**Mixing Control Pair 2 (Channels A2 & B2) (address 19h)**
**Mixing Control Pair 3 (Channels A3 & B3) (address 1Ah)**
**Mixing Control Pair 4 (Channels A4 & B4) (address 1Bh)**

7	6	5	4	3	2	1	0
Px_A=B	Reserved	Reserved	Px_ATAPI4	Px_ATAPI3	Px_ATAPI2	Px_ATAPI1	Px_ATAPI0

**6.14.1 CHANNEL A VOLUME = CHANNEL B VOLUME (PX\_A=B)**

*Default = 0*

0 - Disabled

1 - Enabled

Function:

The AOUTAx and AOUTBx volume levels are independently controlled by the A and the B Channel Volume Control registers when this function is disabled. The volume on both AOUTAx and AOUTBx are determined by the A Channel Volume Control registers (per A-B pair), and the B Channel Volume Control registers are ignored when this function is enabled.

**6.14.2 ATAPI CHANNEL-MIXING AND MUTING (PX\_ATAPIX)**

Default = 01001

Function:

The CS42418 implements the channel-mixing functions of the ATAPI CD-ROM specification. The AT-API functions are applied per A-B pair. Refer to [Table 14](#) and [Figure 9](#) for additional information.

ATAPI4	ATAPI3	ATAPI2	ATAPI1	ATAPI0	AOUTAx	AOUTBx
0	0	0	0	0	MUTE	MUTE
0	0	0	0	1	MUTE	bR
0	0	0	1	0	MUTE	bL
0	0	0	1	1	MUTE	b[(L+R)/2]
0	0	1	0	0	aR	MUTE
0	0	1	0	1	aR	bR
0	0	1	1	0	aR	bL
0	0	1	1	1	aR	b[(L+R)/2]
0	1	0	0	0	aL	MUTE
0	1	0	0	1	aL	bR
0	1	0	1	0	aL	bL
0	1	0	1	1	aL	b[(L+R)/2]
0	1	1	0	0	a[(L+R)/2]	MUTE
0	1	1	0	1	a[(L+R)/2]	bR
0	1	1	1	0	a[(L+R)/2]	bL
0	1	1	1	1	a[(L+R)/2]	b[(L+R)/2]
1	0	0	0	0	MUTE	MUTE
1	0	0	0	1	MUTE	bR
1	0	0	1	0	MUTE	bL
1	0	0	1	1	MUTE	[(aL+bR)/2]
1	0	1	0	0	aR	MUTE
1	0	1	0	1	aR	bR
1	0	1	1	0	aR	bL
1	0	1	1	1	aR	[(bL+aR)/2]
1	1	0	0	0	aL	MUTE
1	1	0	0	1	aL	bR
1	1	0	1	0	aL	bL
1	1	0	1	1	aL	[(aL+bR)/2]
1	1	1	0	0	[(aL+bR)/2]	MUTE
1	1	1	0	1	[(aL+bR)/2]	bR
1	1	1	1	0	[(bL+aR)/2]	bL
1	1	1	1	1	[(aL+bR)/2]	[(aL+bR)/2]

**Table 14. ATAPI Decode**

**6.15 ADC Left Channel Gain (address 1Ch)**

7	6	5	4	3	2	1	0
Reserved	Reserved	LGAIN5	LGAIN4	LGAIN3	LGAIN2	LGAIN1	LGAIN0

**6.15.1 ADC LEFT CHANNEL GAIN (LGAINX)**

*Default = 00h*

Function:

The level of the left analog channel can be adjusted in 1 dB increments as dictated by the Soft and Zero Cross bits (SZC[1:0]) from +15 to -15 dB. Levels are decoded in two's complement, as shown in [Table 15](#).

**6.16 ADC Right Channel Gain (address 1Dh)**

7	6	5	4	3	2	1	0
Reserved	Reserved	RGAIN5	RGAIN4	RGAIN3	RGAIN2	RGAIN1	RGAIN0

**6.16.1 ADC RIGHT CHANNEL GAIN (RGAINX)**

*Default = 00h*

Function:

The level of the right analog channel can be adjusted in 1 dB increments as dictated by the Soft and Zero Cross bits (SZC[1:0]) from +15 to -15 dB. Levels are decoded in two's complement, as shown in [Table 15](#).

Binary Code	Decimal Value	Volume Setting
001111	+15	+15 dB
001010	+10	+10 dB
000101	+5	+5 dB
000000	0	0 dB
111011	-5	-5 dB
110110	-10	-10 dB
110001	-15	-15 dB

**Table 15. Example ADC Input Gain Settings**

**6.17 Interrupt Control (address 1Eh)**

7	6	5	4	3	2	1	0
SP_SYNC	Reserved	DE-EMPH1	DE-EMPH0	INT1	INT0	Reserved	Reserved

**6.17.1 SERIAL PORT SYNCHRONIZATION (SP\_SYNC)**

*Default = 0*

*0 - DAC & ADC Serial Port timings not in phase*

*1 - DAC & ADC Serial Port timings are in phase*

Function:

Forces the LRCK and SCLK from the *DAC & ADC* Serial Ports to align and operate in phase. This function will operate when both ports are running at the same sample rate or when operating at different sample rates.

**6.17.2 DE-EMPHASIS SELECT BITS (DE-EMPHX)**

*Default = 00*

*00 - Reserved*

*01 - De-Emphasis for 32 kHz sample rate.*

*10 - De-Emphasis for 44.1 kHz sample rate.*

*11 - De-Emphasis for 48 kHz sample rate.*

Function:

Used to specify which de-emphasis filter to apply when the “[Force PLL Lock \(FRC\\_PLL\\_LK\)](#)” on [page 49](#) is enabled.

**6.17.3 INTERRUPT PIN CONTROL (INTX)**

*Default = 00*

*00 - Active high; high output indicates interrupt condition has occurred*

*01 - Active low; low output indicates an interrupt condition has occurred*

*10 - Open drain, active low. Requires an external pull-up resistor on the INT pin.*

*11 - Reserved*

Function:

Determines how the interrupt pin (INT) will indicate an interrupt condition.

**6.18 Interrupt Status (address 20h) (Read Only)**

7	6	5	4	3	2	1	0
UNLOCK	Reserved	Reserved	Reserved	Reserved	Reserved	OverFlow	Reserved

For all bits in this register, a “1” means the associated interrupt condition has occurred at least once since the register was last read. A “0” means the associated interrupt condition has NOT occurred since the last reading of the register. Reading the register resets all bits to 0. Status bits that are masked off in the associated mask register will always be “0” in this register.

**6.18.1 PLL UNLOCK (UNLOCK)**

*Default = 0*

Function:

PLL unlock status bit. This bit will go high if the PLL becomes unlocked.

**6.18.2 ADC OVERFLOW (OVERFLOW)**

*Default = 0*

Function:

Indicates that there is an over-range condition anywhere in the CS42418 ADC signal path.



**6.19 Interrupt Mask (address 21h)**

7	6	5	4	3	2	1	0
UNLOCKM	Reserved	Reserved	Reserved	Reserved	Reserved	OverFlowM	Reserved

Default = 00000000

Function:

The bits of this register serve as a mask for the interrupt sources found in the register “[Interrupt Status \(address 20h\) \(Read Only\)](#)” on page 56. If a mask bit is set to 1, the error is unmasked, meaning that its occurrence will affect the INT pin and the status register. If a mask bit is set to 0, the error is masked, meaning that its occurrence will not affect the INT pin or the status register. The bit positions align with the corresponding bits in the Interrupt Status register.

**6.20 Interrupt Mode MSB (address 22h)  
Interrupt Mode LSB (address 23h)**

7	6	5	4	3	2	1	0
UNLOCK1	Reserved	Reserved	Reserved	Reserved	Reserved	OF1	Reserved
UNLOCK0	Reserved	Reserved	Reserved	Reserved	Reserved	OF0	Reserved

Default = 00000000

Function:

The two Interrupt Mode registers form a 2-bit code for each Interrupt Status register function. There are three ways to set the INT pin active in accordance with the interrupt condition. In the Rising edge active mode, the INT pin becomes active on the arrival of the interrupt condition. In the Falling edge active mode, the INT pin becomes active on the removal of the interrupt condition. In Level active mode, the INT interrupt pin becomes active during the interrupt condition. Be aware that the active level (Active High or Low) only depends on the INT[1:0] bits located in the register “[Interrupt Control \(address 1Eh\)](#)” on page 55.

- 00 - Rising edge active
- 01 - Falling edge active
- 10 - Level active
- 11 - Reserved

**6.21 Mutec Pin Control (address 28h)**

7	6	5	4	3	2	1	0
Reserved	Reserved	MCPolarity	M_AOUTA1	M_AOUTB1	M_AOUTA2 M_AOUTB2	M_AOUTA3 M_AOUTB3	M_AOUTA4 M_AOUTB4

**6.21.1 MUTEC POLARITY SELECT (MCPOLARITY)**

Default = 0

0 - Active low

1 - Active high

Function:

Determines the polarity of the MUTEC pin.

### 6.21.2 CHANNEL MUTES SELECT (M\_AOUTXX)

*Default = 11111*

*0 - Channel mute is not mapped to the MUTE pin*

*1 - Channel mute is mapped to the MUTE pin*

Function:

Determines which channel mutes will be mapped to the MUTE pin. If no channel mute bits are mapped, then the MUTE pin is driven to the “active” state as defined by the POLARITY bit. These Channel Mute Select bits are “ANDed” together in order for the MUTE pin to go active. This means that if multiple Channel Mutes are selected to be mapped to the MUTE pin, all corresponding channels must be muted before the MUTE will go active.

## 6.22 General-Purpose Pin Control (addresses 29h to 2Fh)

7	6	5	4	3	2	1	0
Mode1	Mode0	Polarity	Function4	Function3	Function2	Function1	Function0

### 6.22.1 MODE CONTROL (MODEX)

*Default = 00*

*00 - Reserved*

*01 - Mute Mode*

*10 - GPO/Overflow Mode*

*11 - GPO, Drive High Mode*

Function:

Mute Mode - The pin is configured as a dedicated mute pin. The muting function is controlled by the Function bits.

GPO, Drive Low / ADC Overflow Mode - The pin is configured as a general-purpose output driven low or as a dedicated ADC overflow pin indicating an over-range condition anywhere in the ADC signal path for either the left or right channel. The Functionx bits determine the operation of the pin. When configured as a GPO with the output driven low, the driver is a CMOS driver. When configured to identify an ADC Overflow condition, the driver is an open drain driver requiring a pull-up resistor.

GPO, Drive High Mode - The pin is configured as a general purpose output driven high.

### 6.22.2 POLARITY SELECT (POLARITY)

*Default = 0*

Function:

Mute Mode - If the pin is configured as a dedicated mute output pin, the polarity bit determines the polarity of the mapped pin according to the following

*0 - Active low*

*1 - Active high*

GPO, Drive Low / ADC Overflow Mode - If the pin is configured as a GPO, Drive Low / ADC Overflow Mode pin, the polarity bit is ignored. It is recommended that in this mode this bit be set to 0.

GPO, Drive High - If the pin is configured as a general-purpose output driven high, the polarity bit is ignored. It is recommended that in this mode this bit be set to 0.

**6.22.3 FUNCTIONAL CONTROL (FUNCTIONX)**

Default = 00000

Function:

**Mute Mode** - If the pin is configured as a dedicated mute pin, the functional bits determine which channel mutes will be mapped to this pin according to the following table.

0 - Channel mute is not mapped to the GPOx pin

1 - Channel mute is mapped to the GPOx pin:

GPOx	Reg Address	Function4	Function3	Function2	Function1	Function0
GPO7 pin 42	29h	M_AOUTA1	M_AOUTB1	M_AOUTA2 M_AOUTB2	M_AOUTA3 M_AOUTB3	M_AOUTA4 M_AOUTB4
GPO6 pin 43	2Ah	M_AOUTA1 M_AOUTB1	M_AOUTA2	M_AOUTB2	M_AOUTA3 M_AOUTB3	M_AOUTA4 M_AOUTB4
GPO5 pin 44	2Bh	M_AOUTA1 M_AOUTB1	M_AOUTA2	M_AOUTB2	M_AOUTA3 M_AOUTB3	M_AOUTA4 M_AOUTB4
GPO4 pin 45	2Ch	M_AOUTA1 M_AOUTB1	M_AOUTA2 M_AOUTB2	M_AOUTA3	M_AOUTB3	M_AOUTA4 M_AOUTB4
GPO3 pin 46	2Dh	M_AOUTA1 M_AOUTB1	M_AOUTA2 M_AOUTB2	M_AOUTA3	M_AOUTB3	M_AOUTA4 M_AOUTB4
GPO2 pin 47	2Eh	M_AOUTA1 M_AOUTB1	M_AOUTA2 M_AOUTB2	M_AOUTA3 M_AOUTB3	M_AOUTA4	M_AOUTB4
GPO1 pin 48	2Fh	M_AOUTA1 M_AOUTB1	M_AOUTA2 M_AOUTB2	M_AOUTA3 M_AOUTB3	M_AOUTA4	M_AOUTB4

**GPO, Drive Low / ADC Overflow Mode** - If the pin is configured as a GPO, Drive Low / ADC Overflow Mode pin, the Function1 and Function0 bits determine how the output will behave according to the following table. It is recommended that in this mode the remaining functional bits be set to 0.

Function1	Function0	GPOx	Driver Type
0	0	Drive Low	CMOS
1	1	OVFL R or L	Open Drain

**GPO, Drive High** - If the pin is configured as a general-purpose output, the functional bits are ignored and the pin is driven high. It is recommended that in this mode all the functional bits be set to 0.

---

## 7. PARAMETER DEFINITIONS

### Dynamic Range

The ratio of the rms value of the signal to the rms sum of all other spectral components over the specified bandwidth. Dynamic Range is a signal-to-noise ratio measurement over the specified band width made with a -60 dBFS signal. 60 dB is added to resulting measurement to refer the measurement to full-scale. This technique ensures that the distortion components are below the noise level and do not effect the measurement. This measurement technique has been accepted by the Audio Engineering Society, AES17-1991, and the Electronic Industries Association of Japan, EIAJ CP-307. Expressed in decibels.

### Total Harmonic Distortion + Noise

The ratio of the rms value of the signal to the rms sum of all other spectral components over the specified band width (typically 10 Hz to 20 kHz), including distortion components. Expressed in decibels. Measured at -1 and -20 dBFS as suggested in AES17-1991 Annex A.

### Frequency Response

A measure of the amplitude response variation from 10 Hz to 20 kHz relative to the amplitude response at 1 kHz. Units in decibels.

### Interchannel Isolation

A measure of crosstalk between the left and right channels. Measured for each channel at the converter's output with no signal to the input under test and a full-scale signal applied to the other channel. Units in decibels.

### Interchannel Gain Mismatch

The gain difference between left and right channels. Units in decibels.

### Gain Error

The deviation from the nominal full-scale analog output for a full-scale digital input.

### Gain Drift

The change in gain value with temperature. Units in ppm/°C.

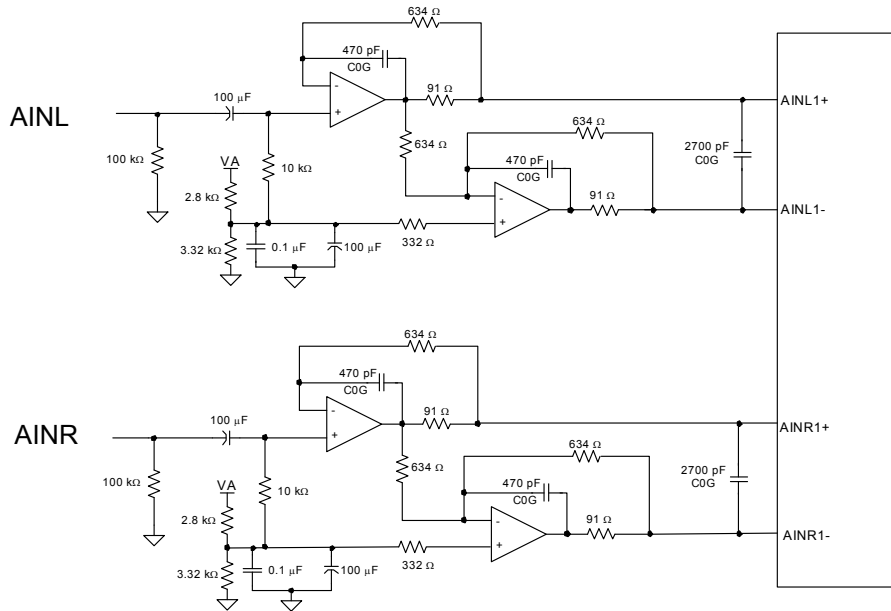
### Offset Error

The deviation of the mid-scale transition (111...111 to 000...000) from the ideal. Units in mV.

## 8. APPENDIX A: EXTERNAL FILTERS

### 8.1 ADC Input Filter

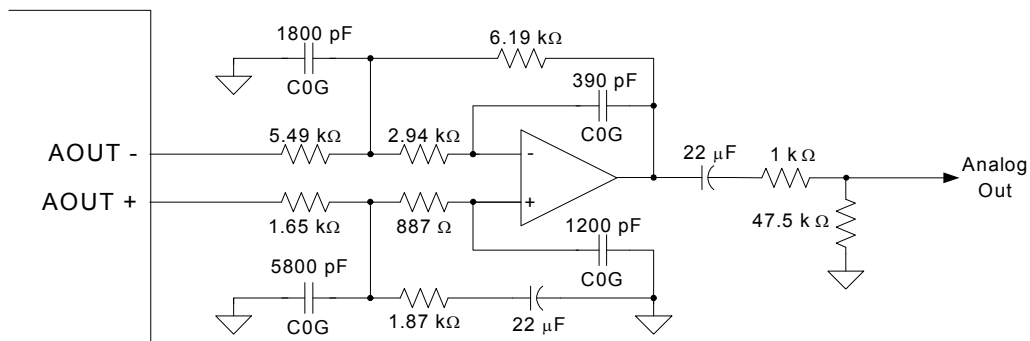
The analog modulator samples the input at 6.144 MHz (internal MCLK=12.288 MHz). The digital filter will reject signals within the stopband of the filter. However, there is no rejection for input signals which are  $(n \times 6.144 \text{ MHz})$  the digital passband frequency, where  $n=0,1,2,\dots$  Refer to [Figure 24](#) for a recommended analog input buffer that will attenuate any noise energy at 6.144 MHz, in addition to providing the optimum source impedance for the modulators. The use of capacitors that have a large voltage coefficient (such as general-purpose ceramics) must be avoided since these can degrade signal linearity.



**Figure 24. Recommended Analog Input Buffer**

### 8.2 DAC Output Filter

The CS42418 is a linear phase design and does not include phase or amplitude compensation for an external filter. Therefore, the DAC system phase and amplitude response will be dependent on the external analog circuitry.



**Figure 25. Recommended Analog Output Buffer**

## 9. APPENDIX B: PLL FILTER

### 9.1 External Filter Components

#### 9.1.1 General

The PLL behavior is affected by the external filter component values in the Typical Connection Diagrams. Figure 5 and Figure 6 show the recommended configuration of the two capacitors and one resistor that comprise the PLL filter. The external PLL component values listed in Table 16 have a high corner-frequency jitter-attenuation curve, take a short time to lock, and offer good output jitter performance. Lock times are worst case for an Fsi transition of 192 kHz.

RFILT (k $\Omega$ )	CFILT ( $\mu$ F)	CRIP (pF)
2.55	0.047	2200

Table 16. PLL External Component Values

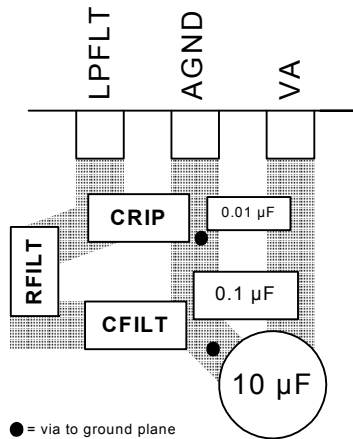
It is important to treat the LPFILT pin as a low-level analog input. It is suggested that the ground end of the PLL filter be returned directly to the AGND pin independently of the digital ground plane.

#### 9.1.2 Capacitor Selection

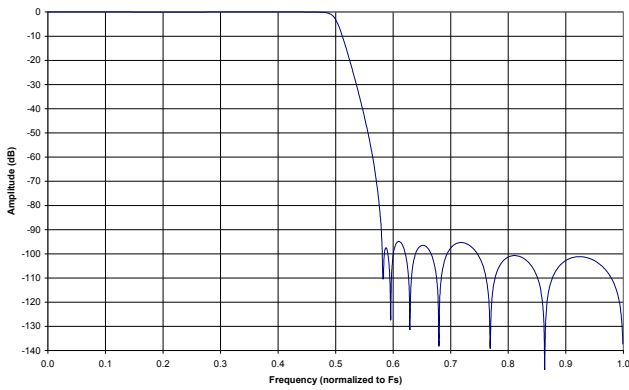
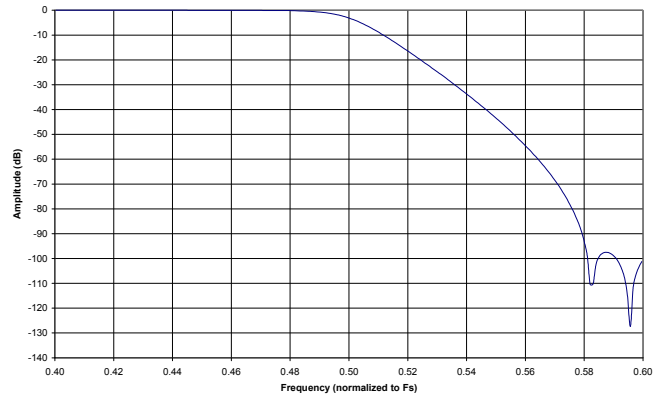
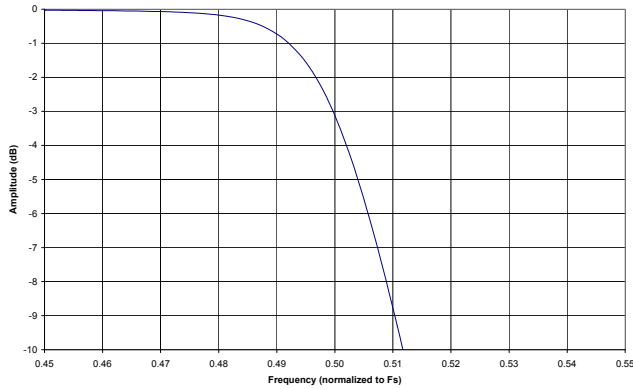
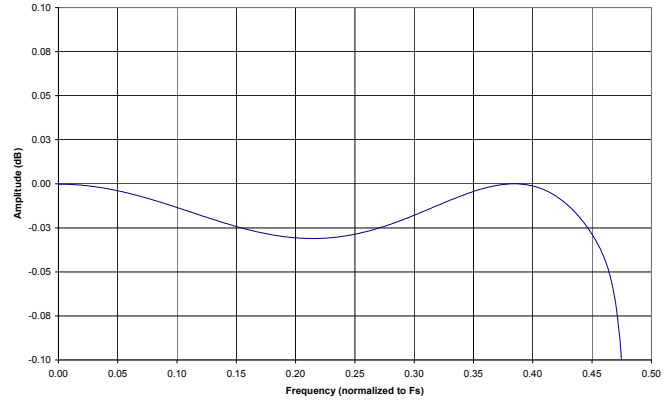
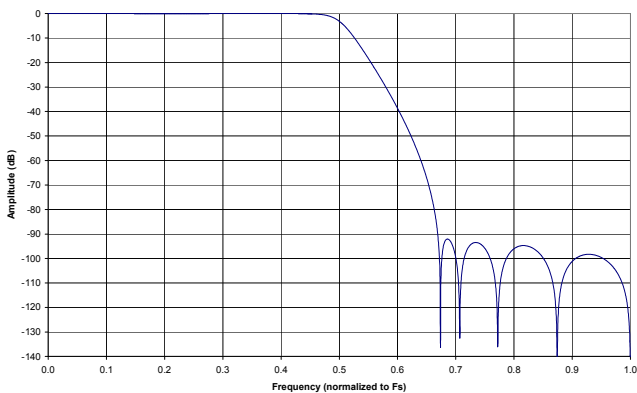
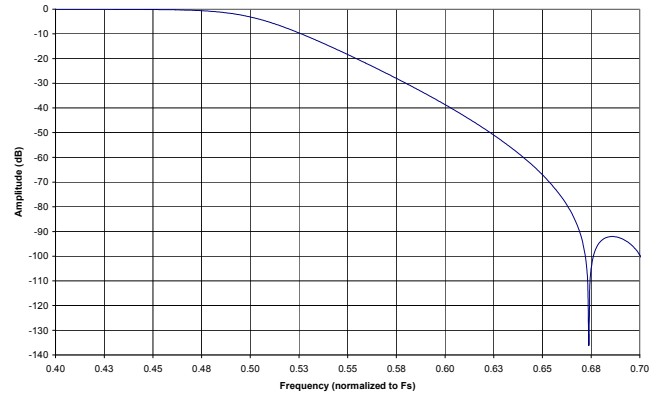
The type of capacitors used for the PLL filter can have a significant effect on PLL performance. Large or exotic film capacitors are not necessary because their leads, and the required longer circuit board traces, add undesirable inductance to the circuit. Surface-mount ceramic capacitors are a good choice because their own inductance is low, and they can be mounted close to the LPFLT pin to minimize trace inductance. For CRIP, a C0G or NPO dielectric is recommended; and for CFILT, an X7R dielectric is preferred. Avoid capacitors with large temperature co-coefficient, or capacitors with high dielectric constants, that are sensitive to shock and vibration. These include the Z5U and Y5V dielectrics.

### 9.1.3 Circuit Board Layout

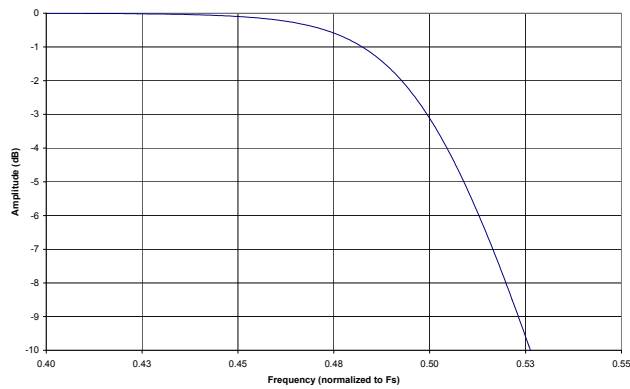
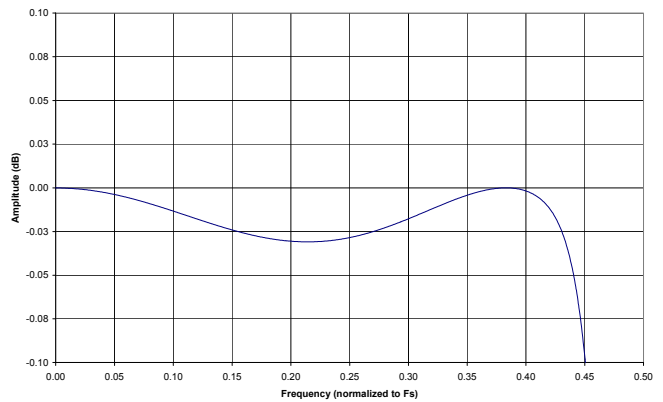
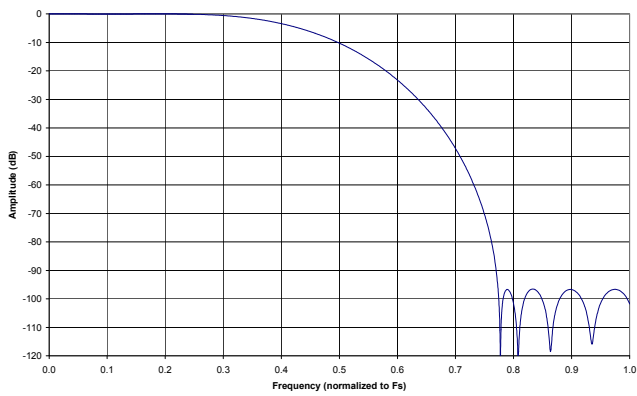
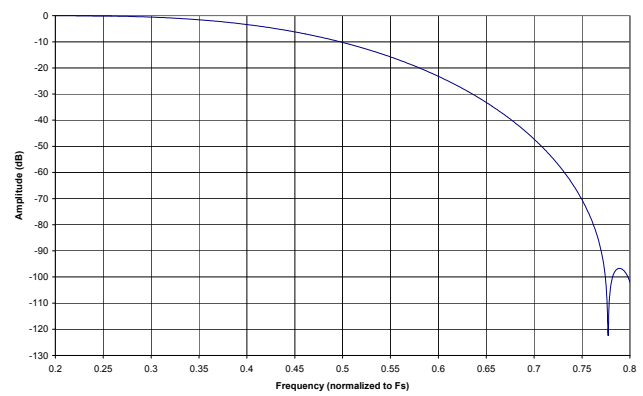
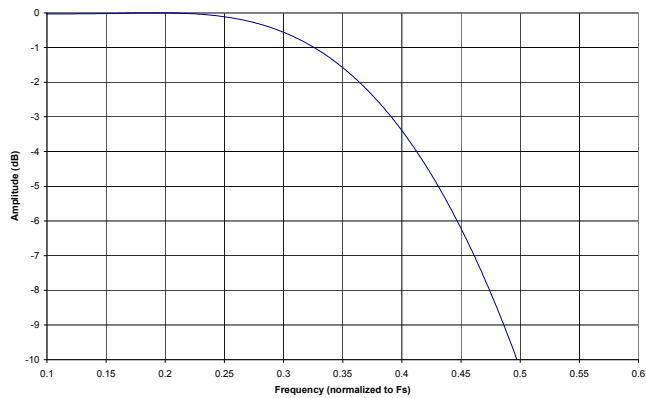
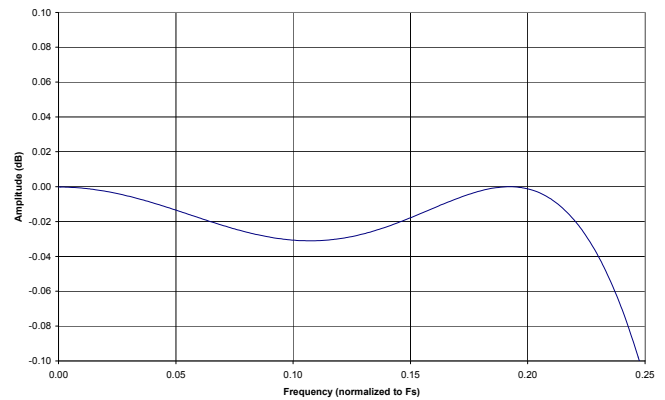
Board layout and capacitor choice affect each other and determine the performance of the PLL. Figure 26 illustrates a suggested layout for the PLL filter components and for bypassing the analog supply voltage. The 10  $\mu\text{F}$  bypass capacitor is an electrolytic in a surface-mount case A or thru-hole package. RFILT, CFILT, CRIP, and the 0.1  $\mu\text{F}$  decoupling capacitor are in an 0805 form factor. The 0.01  $\mu\text{F}$  decoupling capacitor is in the 0603 form factor. The traces are on the top surface of the board with the IC so that there is no via inductance. The traces themselves are short to minimize the inductance in the filter path. The VA and AGND traces extend back to their origin and are shown only in truncated form in the drawing.

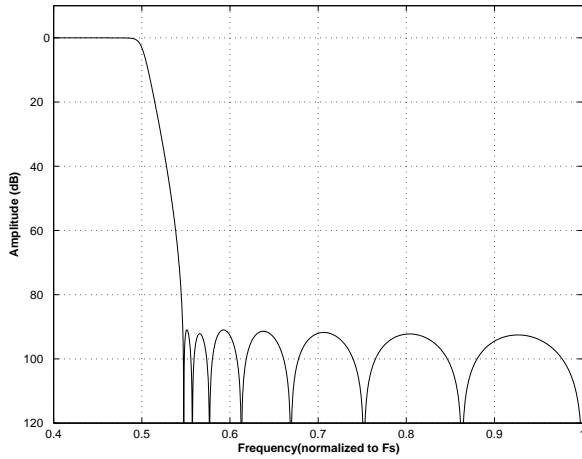
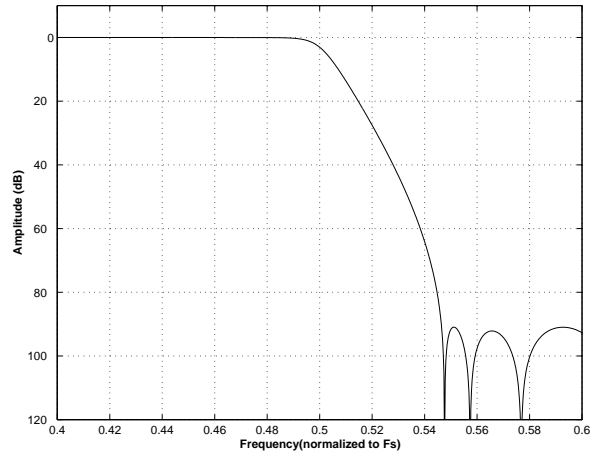
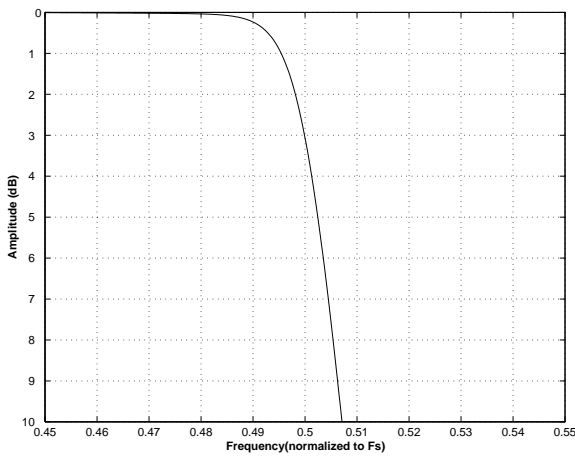
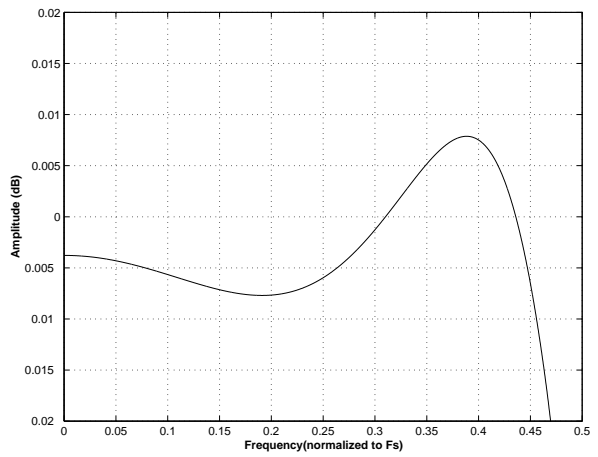
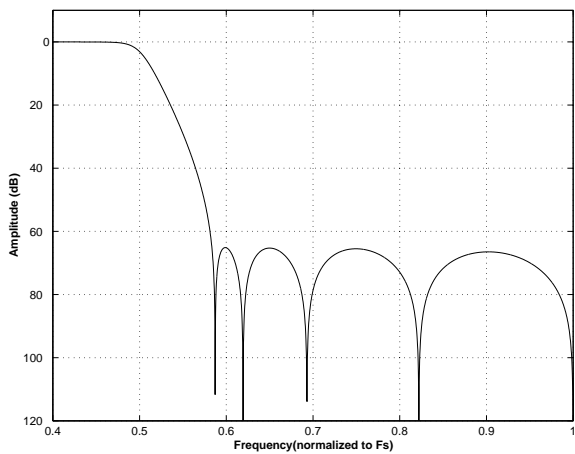
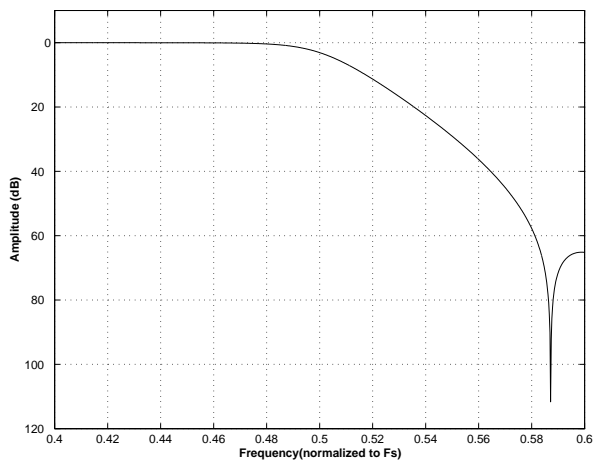


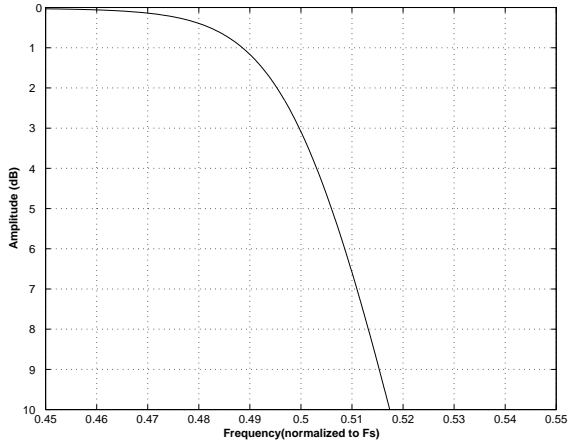
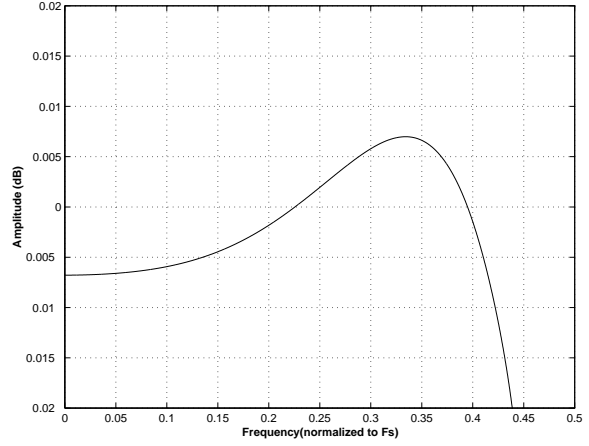
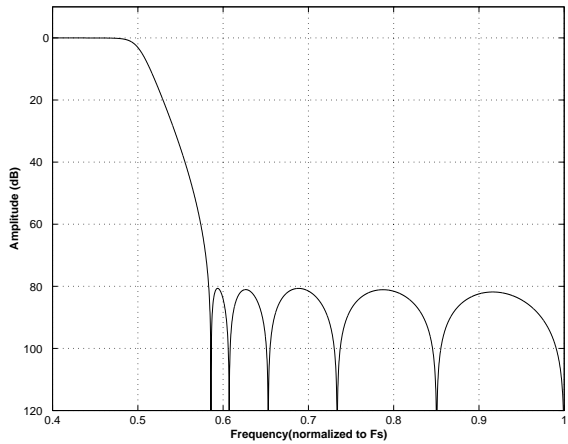
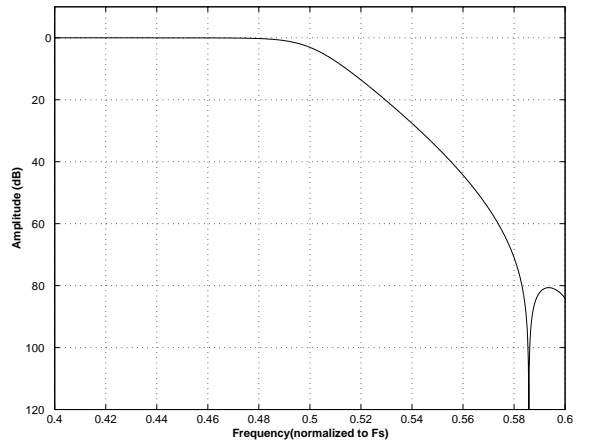
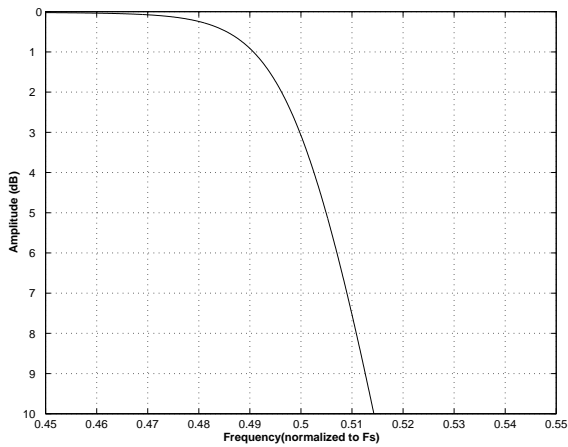
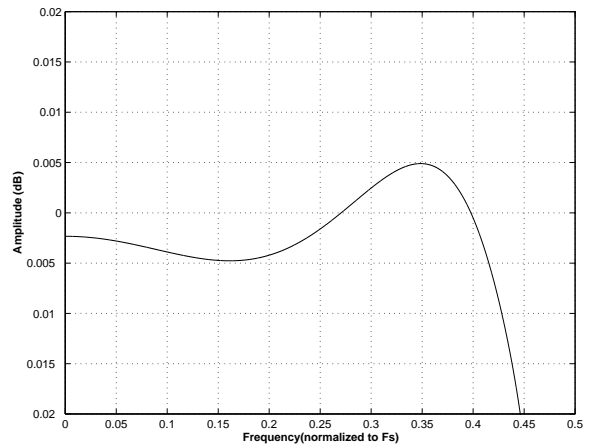
**Figure 26. Recommended Layout Example**

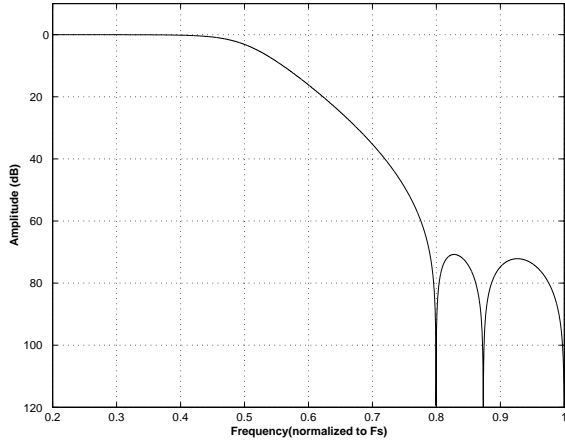
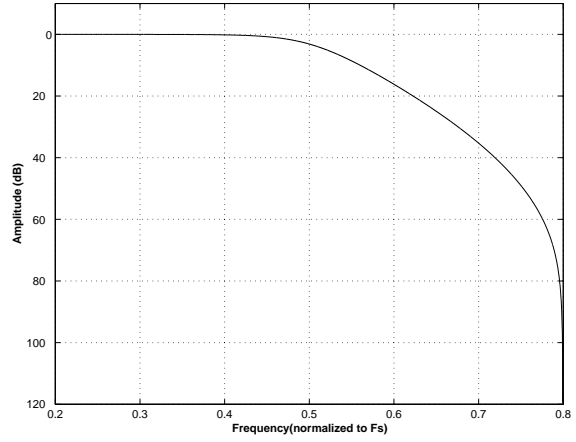
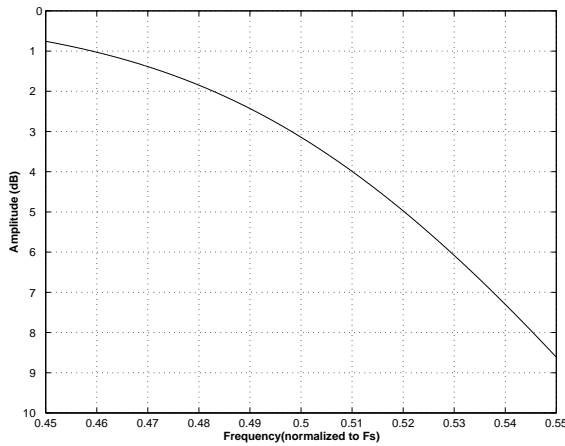
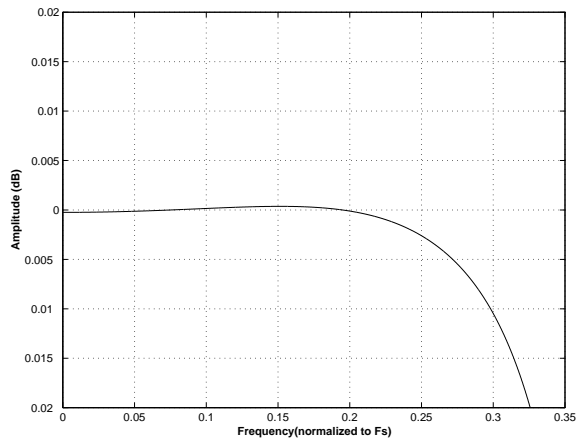
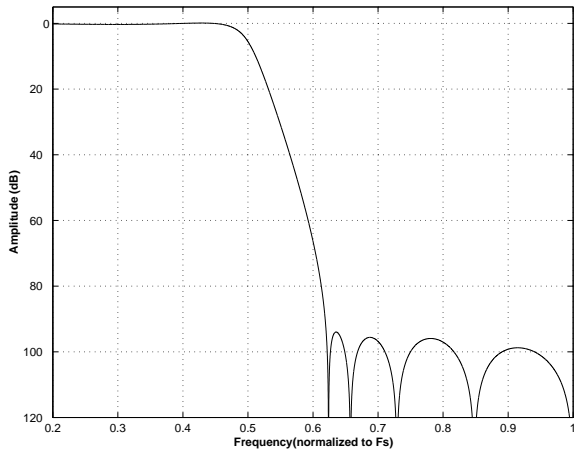
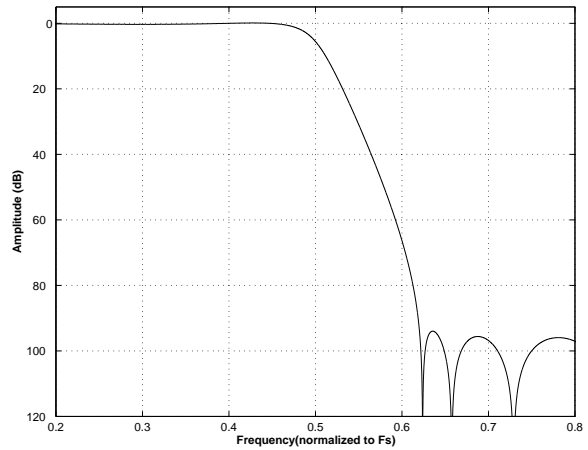
**10.APPENDIX C: ADC FILTER PLOTS**

**Figure 27. Single-Speed Mode Stopband Rejection**

**Figure 28. Single-Speed Mode Transition Band**

**Figure 29. Single-Speed Mode Transition Band (Detail)**

**Figure 30. Single-Speed Mode Passband Ripple**

**Figure 31. Double-Speed Mode Stopband Rejection**

**Figure 32. Double-Speed Mode Transition Band**

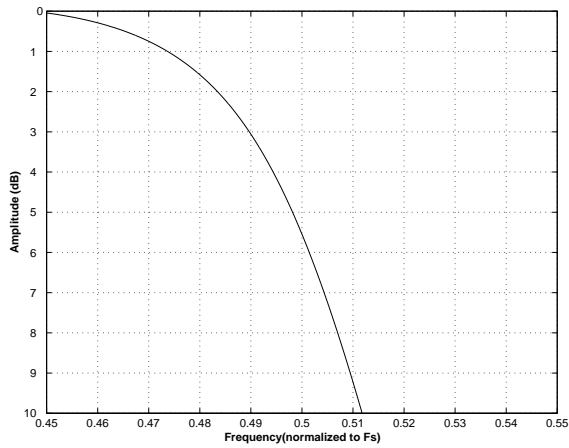
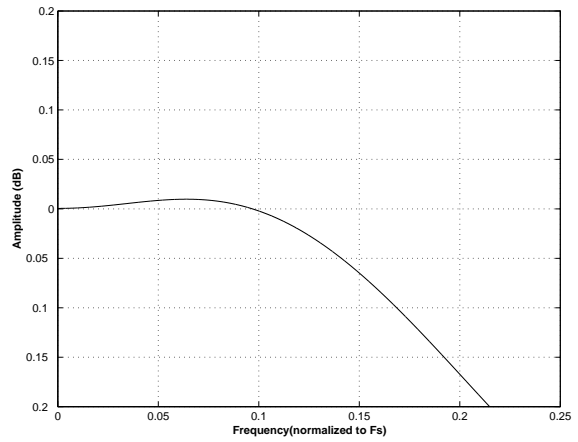
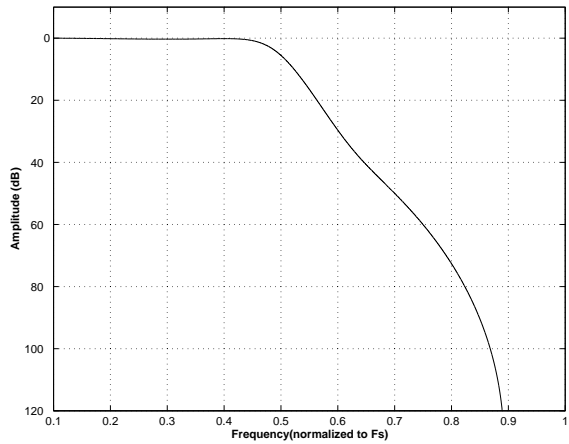
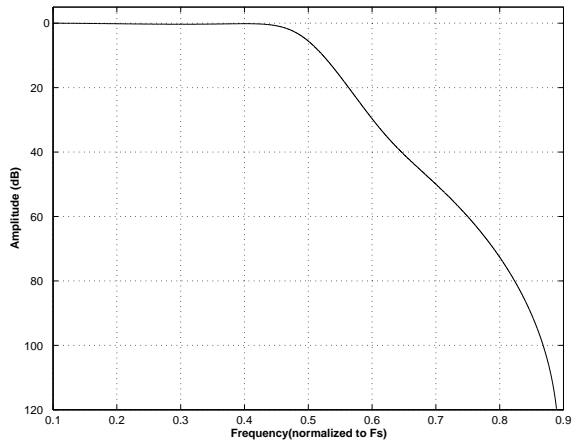
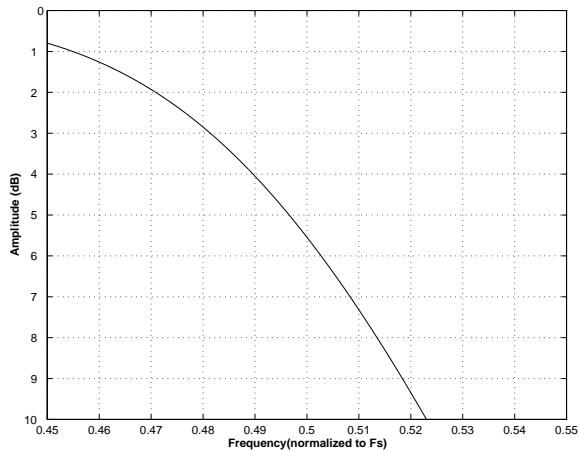
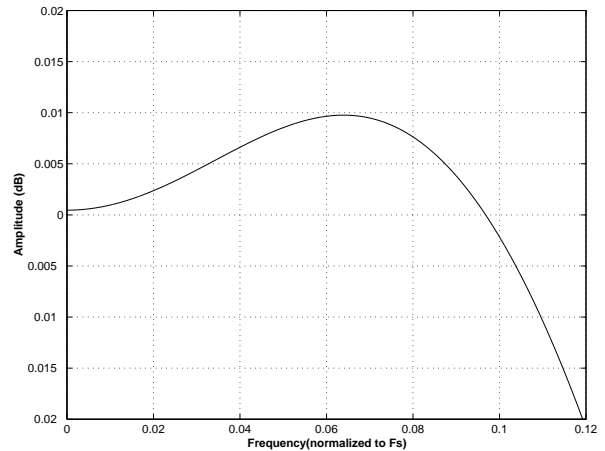


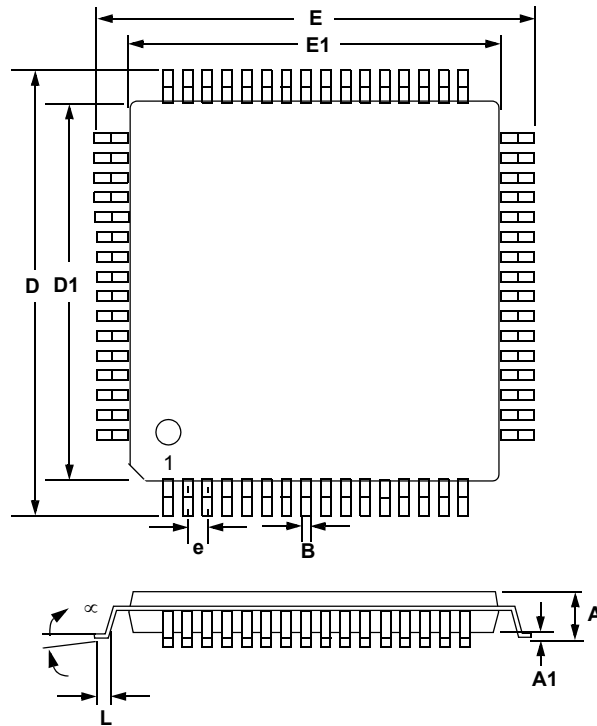

**Figure 33. Double-Speed Mode Transition Band (Detail)**

**Figure 34. Double-Speed Mode Passband Ripple**

**Figure 35. Quad-Speed Mode Stopband Rejection**

**Figure 36. Quad-Speed Mode Transition Band**

**Figure 37. Quad-Speed Mode Transition Band (Detail)**

**Figure 38. Quad-Speed Mode Passband Ripple**

**11.APPENDIX D: DAC FILTER PLOTS**

**Figure 39. Single-Speed (fast) Stopband Rejection**

**Figure 40. Single-Speed (fast) Transition Band**

**Figure 41. Single-Speed (fast) Transition Band (detail)**

**Figure 42. Single-Speed (fast) Passband Ripple**

**Figure 43. Single-Speed (slow) Stopband Rejection**

**Figure 44. Single-Speed (slow) Transition Band**


**Figure 45. Single-Speed (slow) Transition Band (detail)**

**Figure 46. Single-Speed (slow) Passband Ripple**

**Figure 47. Double-Speed (fast) Stopband Rejection**

**Figure 48. Double-Speed (fast) Transition Band**

**Figure 49. Double-Speed (fast) Transition Band (detail)**

**Figure 50. Double-Speed (fast) Passband Ripple**


**Figure 51. Double-Speed (slow) Stopband Rejection**

**Figure 52. Double-Speed (slow) Transition Band**

**Figure 53. Double-Speed (slow) Transition Band (detail)**

**Figure 54. Double-Speed (slow) Passband Ripple**

**Figure 55. Quad-Speed (fast) Stopband Rejection**

**Figure 56. Quad-Speed (fast) Transition Band**


**Figure 57. Quad-Speed (fast) Transition Band (detail)**

**Figure 58. Quad-Speed (fast) Passband Ripple**

**Figure 59. Quad-Speed (slow) Stopband Rejection**

**Figure 60. Quad-Speed (slow) Transition Band**

**Figure 61. Quad-Speed (slow) Transition Band (detail)**

**Figure 62. Quad-Speed (slow) Passband Ripple**

**12.PACKAGE DIMENSIONS**
**64L LQFP PACKAGE DRAWING**


DIM	INCHES			MILLIMETERS		
	MIN	NOM	MAX	MIN	NOM	MAX
A	---	0.55	0.063	---	1.40	1.60
A1	0.002	0.004	0.006	0.05	0.10	0.15
B	0.007	0.008	0.011	0.17	0.20	0.27
D	0.461	0.472 BSC	0.484	11.70	12.0 BSC	12.30
D1	0.390	0.393 BSC	0.398	9.90	10.0 BSC	10.10
E	0.461	0.472 BSC	0.484	11.70	12.0 BSC	12.30
E1	0.390	0.393 BSC	0.398	9.90	10.0 BSC	10.10
e*	0.016	0.020 BSC	0.024	0.40	0.50 BSC	0.60
L	0.018	0.024	0.030	0.45	0.60	0.75
∞	0.000°	4°	7.000°	0.00°	4°	7.00°

\* Nominal pin pitch is 0.50 mm

Controlling dimension is mm.

JEDEC Designation: MS026

**THERMAL CHARACTERISTICS**

Parameter	Symbol	Min	Typ	Max	Units
Allowable Junction Temperature		-	-	+135	°C
Junction to Ambient Thermal Impedance	$\theta_{JA}$	-	48	-	°C/Watt

### 13. ORDERING INFORMATION

Product	Description	Package	Pb-Free	Grade	Temp Range	Container	Order #
CS42418	110 dB, 192 kHz 8-Ch Codec with PLL	64-pin LQFP	Yes	Commercial	-10° to +70° C	Tray	CS42418-CQZ
						Tape & Reel	CS42418-CQZR
CDB42428	CS42418 Evaluation Board		No	-	-	-	CDB42428

### 14. REFERENCES

- 1) Cirrus Logic, Audio Quality Measurement Specification, Version 1.0, 1997. <http://www.cirrus.com/products/papers/meas/meas.html>
- 2) Cirrus Logic, AN18: Layout and Design Rules for Data Converters and Other Mixed Signal Devices, Version 6.0, February 1998.
- 3) Cirrus Logic, Techniques to Measure and Maximize the Performance of a 120 dB, 96 kHz A/D Converter Integrated Circuit, by Steven Harris, Steven Green and Ka Leung. Presented at the 103rd Convention of the Audio Engineering Society, September 1997.
- 4) Cirrus Logic, A Stereo 16-bit Delta-Sigma A/D Converter for Digital Audio, by D.R. Welland, B.P. Del Signore, E.J. Swanson, T. Tanaka, K. Hamashita, S. Hara, K. Takasuka. Paper presented at the 85th Convention of the Audio Engineering Society, November 1988.
- 5) Cirrus Logic, The Effects of Sampling Clock Jitter on Nyquist Sampling Analog-to-Digital Converters, and on Oversampling Delta Sigma ADC's, by Steven Harris. Paper presented at the 87th Convention of the Audio Engineering Society, October 1989.
- 6) Cirrus Logic, An 18-Bit Dual-Channel Oversampling Delta-Sigma A/D Converter, with 19-Bit Mono Application Example, by Clif Sanchez. Paper presented at the 87th Convention of the Audio Engineering Society, October 1989.
- 7) Cirrus Logic, How to Achieve Optimum Performance from Delta-Sigma A/D and D/A Converters, by Steven Harris. Presented at the 93rd Convention of the Audio Engineering Society, October 1992.
- 8) Cirrus Logic, A Fifth-Order Delta-Sigma Modulator with 110 dB Audio Dynamic Range, by I. Fujimori, K. Hamashita and E.J. Swanson. Paper presented at the 93rd Convention of the Audio Engineering Society, October 1992.
- 9) Philips Semiconductor, The I2C-Bus Specification: Version 2.1, January 2000. <http://www.semiconductors.philips.com>

## 15. REVISION HISTORY

Release	Date	Changes
F1	November 2005	<p>Final Release</p> <ul style="list-style-type: none"> <li>• Added Revision History table on <a href="#">page 71</a>.</li> <li>• Updated registers <a href="#">6.6.6</a> and <a href="#">6.6.7</a> on <a href="#">page 47</a>.</li> <li>• Updated registers <a href="#">6.7.4</a> and <a href="#">6.7.5</a> on <a href="#">page 49</a>.</li> <li>• Updated PLL components in <a href="#">Table 16</a> on <a href="#">page 62</a>.</li> <li>• Added OMCK Frequency specification in the Switching Characteristics table on <a href="#">page 11</a>.</li> <li>• Updated ADC Input Impedance and Offset Error specifications in the Analog Input Characteristics table on <a href="#">page 7</a>.</li> <li>• Updated the DAC Full-Scale Voltage, Output Impedance, and Gain Drift specifications in the Analog Output Characteristics table on <a href="#">page 9</a>.</li> <li>• Updated specification conditions for the analog input characteristics on <a href="#">page 7</a>.</li> <li>• Updated specification conditions for the analog output characteristics on <a href="#">page 9</a>.</li> <li>• Updated specification of <math>t_{ds}</math>, <math>t_{dh}</math>, <math>t_{dps}</math>, and <math>t_{rpd}</math> in the Switching Characteristics table on <a href="#">page 11</a>.</li> <li>• Corrected reference to the SW_CTRL[1:0] bits in section 4.4.3 on <a href="#">page 24</a>.</li> <li>• Moved the VQ and FILT+ specifications from the Analog Input Characteristics table on <a href="#">page 7</a> to the DC Electrical Characteristics table on <a href="#">page 14</a>.</li> <li>• Updated the Power Supply Current and Power Consumption specifications in the DC Electrical Characteristics table on <a href="#">page 14</a>.</li> <li>• Updated <a href="#">Section 4.4.4</a> on <a href="#">page 24</a>.</li> <li>• Corrected default value of the Chip_ID[3:0] bits in register 01h on <a href="#">pages 39</a> and <a href="#">42</a>.</li> <li>• Updated default value of the Rev_ID[3:0] bits in register 01h on <a href="#">pages 39</a> and <a href="#">42</a>.</li> <li>• Updated PLL_CLK[2:0] bit description on <a href="#">page 49</a>.</li> </ul>
F2	March 2014	<ul style="list-style-type: none"> <li>• Removed references to automotive-class products.</li> <li>• Changed <a href="#">Note 7</a> in “<a href="#">Analog Output Characteristics</a>” on <a href="#">page 9</a> to “One LSB of triangular PDF dither is added to data.”</li> <li>• Added 100 <math>\mu</math>A spec for VOH and VOL in “<a href="#">Digital Interface Characteristics</a>” on <a href="#">page 15</a>.</li> <li>• Updated legal statement on the last page.</li> </ul>

### Contacting Cirrus Logic Support

For all product questions and inquiries contact a Cirrus Logic Sales Representative.

To find the one nearest to you go to [www.cirrus.com/corporate/contacts/sales.cfm](http://www.cirrus.com/corporate/contacts/sales.cfm)

#### IMPORTANT NOTICE

Cirrus Logic, Inc. and its subsidiaries (“Cirrus”) believe that the information contained in this document is accurate and reliable. However, the information is subject to change without notice and is provided “AS IS” without warranty of any kind (express or implied). Customers are advised to obtain the latest version of relevant information to verify, before placing orders, that information being relied on is current and complete. All products are sold subject to the terms and conditions of sale supplied at the time of order acknowledgment, including those pertaining to warranty, indemnification, and limitation of liability. No responsibility is assumed by Cirrus for the use of this information, including use of this information as the basis for manufacture or sale of any items, or for infringement of patents or other rights of third parties. This document is the property of Cirrus and by furnishing this information, Cirrus grants no license, express or implied under any patents, mask work rights, copyrights, trademarks, trade secrets or other intellectual property rights. Cirrus owns the copyrights associated with the information contained herein and gives consent for copies to be made of the information only for use within your organization with respect to Cirrus integrated circuits or other products of Cirrus. This consent does not extend to other copying such as copying for general distribution, advertising or promotional purposes, or for creating any work for resale.

CERTAIN APPLICATIONS USING SEMICONDUCTOR PRODUCTS MAY INVOLVE POTENTIAL RISKS OF DEATH, PERSONAL INJURY, OR SEVERE PROPERTY OR ENVIRONMENTAL DAMAGE (“CRITICAL APPLICATIONS”). CIRRUS PRODUCTS ARE NOT DESIGNED, AUTHORIZED OR WARRANTED FOR USE IN AIRCRAFT SYSTEMS, MILITARY APPLICATIONS, PRODUCTS SURGICALLY IMPLANTED INTO THE BODY, AUTOMOTIVE SAFETY OR SECURITY DEVICES, LIFE SUPPORT PRODUCTS OR OTHER CRITICAL APPLICATIONS. INCLUSION OF CIRRUS PRODUCTS IN SUCH APPLICATIONS IS UNDERSTOOD TO BE FULLY AT THE CUSTOMER’S RISK AND CIRRUS DISCLAIMS AND MAKES NO WARRANTY, EXPRESS, STATUTORY OR IMPLIED, INCLUDING THE IMPLIED WARRANTIES OF MERCHANTABILITY AND FITNESS FOR PARTICULAR PURPOSE, WITH REGARD TO ANY CIRRUS PRODUCT THAT IS USED IN SUCH A MANNER. IF THE CUSTOMER OR CUSTOMER’S CUSTOMER USES OR PERMITS THE USE OF CIRRUS PRODUCTS IN CRITICAL APPLICATIONS, CUSTOMER AGREES, BY SUCH USE, TO FULLY INDEMNIFY CIRRUS, ITS OFFICERS, DIRECTORS, EMPLOYEES, DISTRIBUTORS AND OTHER AGENTS FROM ANY AND ALL LIABILITY, INCLUDING ATTORNEYS’ FEES AND COSTS, THAT MAY RESULT FROM OR ARISE IN CONNECTION WITH THESE USES.

Cirrus Logic, Cirrus, and the Cirrus Logic logo designs are trademarks of Cirrus Logic, Inc. All other brand and product names in this document may be trademarks or service marks of their respective owners.

SPI is a trademark of Motorola, Inc.