

Operational Amplifier Prototype Board

Features

- ❑ Prototyping Platform for CS30xx Operational Amplifiers
- ❑ Support for Differential & Single-ended Inputs/Outputs
- ❑ Includes Op-amp Samples (two each of the following)
 - CS3001
 - CS3002
 - CS3011
 - CS3012 [See Table 1 on page 3.](#)
 - CS3003
 - CS3004
 - CS3013
 - CS3014

General Description

The CDB30xx is a blank circuit board that provides a prototyping platform for the CS30xx series of operational amplifiers. The board has four different circuit sections. The board can be used intact or it can be separated into four separate smaller boards. The power supply connection and grounds are all connected between the four sections unless the board is separated into its smaller sections.

The board is provided without components but a selection of Cirrus Logic operational amplifiers are provided as samples. The samples include two each of the CS3001, CS3002, CS3011, CS3012, CS3003, CS3004, CS3013, and CS3014 devices. Refer to [Table 1 on page 3](#) for a summary of features for the op-amps included with the CDB30xx.

ORDERING INFORMATION

CDB30xx

Evaluation Board

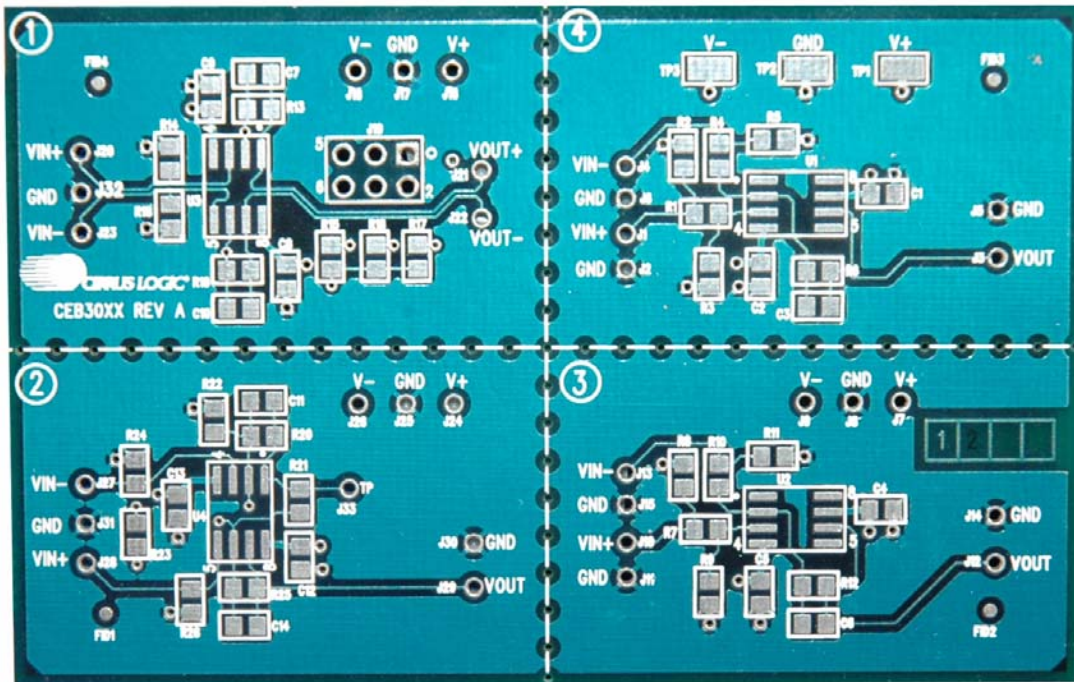


TABLE OF CONTENTS

1. INTRODUCTION	3
2. CIRCUIT 1 - DIFFERENTIAL INPUT / DIFFERENTIAL OUTPUT	4
3. CIRCUIT 2 - DIFFERENTIAL INPUT / SINGLE-ENDED OUTPUT	5
4. CIRCUIT 3 & 4 - INVERTING / NON-INVERTING GAIN	6
Appendix A. PCB Layer Plots	8
REVISION HISTORY	13

LIST OF FIGURES

Figure 1. Section 1 Schematic, Differential Input / Differential Output	4
Figure 2. Section 2 Schematic, Dual Op-amp Instrumentation Amplifier	5
Figure 3. Section 3 Schematic, Inverting or Non-inverting Amplifier	6
Figure 4. Section 4 Schematic, Inverting or Non-inverting Amplifier	7
Figure 5. Silkscreen.....	8
Figure 6. Component Side Routing.....	9
Figure 7. Ground Plane	10
Figure 8. Power Plane.....	11
Figure 9. Bottom Side Routing	12

1. INTRODUCTION

There are four different sections of the board.

- Section 1 is a differential input, differential output amplifier configuration using a dual-amplifier pin out.
- Section 2 is a two op-amp, differential amplifier using a dual-amplifier pin out.
- Sections 3 and 4 are identical amplifier circuits (although they have different component designators for their components). These can be configured for either inverting gain or non-inverting gain configurations. Sections 3 and 4 use the single-amplifier pin out.

The following table provides a brief summary of features for the op-amps included with the CDB30xx board.

Table 1. Typical Specifications for Cirrus Logic Chopper-stabilized Amplifiers

Device	Channels	GBW	Voltage Noise	0.1 to 10 Hz Noise	Supply Range	R-to-R Input	R-to-R Output
3001	1	4 MHz	6nV/ $\sqrt{\text{Hz}}$ @ 0.5 Hz	125nV p-p @ 10 Hz	2.7 to 6.7	N	Y
3002	2	4 MHz	6nV/ $\sqrt{\text{Hz}}$ @ 0.5 Hz	125nV p-p @ 10 Hz	2.7 to 6.7	N	Y
3003	1	2 MHz	17nV/ $\sqrt{\text{Hz}}$ @ 1 Hz	350nV p-p @ 10 Hz	2.7 to 5.5	Y	Y
3004	2	2 MHz	17nV/ $\sqrt{\text{Hz}}$ @ 0.5 Hz	350nV p-p @ 10 Hz	2.7 to 5.5	Y	Y
3011	1	2 MHz	12nV/ $\sqrt{\text{Hz}}$ @ 0.5 Hz	250nV p-p @ 10 Hz	2.7 to 6.7	N	Y
3012	2	2 MHz	12nV/ $\sqrt{\text{Hz}}$ @ 0.5 Hz	250nV p-p @ 10 Hz	2.7 to 6.7	N	Y
3013	1	1 MHz	22nV/ $\sqrt{\text{Hz}}$ @ 0.5 Hz	460nV p-p @ 10 Hz	2.7 to 5.5	Y	Y
3014	2	1 MHz	22nV/ $\sqrt{\text{Hz}}$ @ 0.5 Hz	460nV p-p @ 10 Hz	2.7 to 5.5	Y	Y

For detailed information on the CS30xx ADCs, go to www.cirrus.com.

2. CIRCUIT 1 - DIFFERENTIAL INPUT / DIFFERENTIAL OUTPUT

Circuit 1 is a differential input / differential output amplifier. This circuit is commonly used to amplify the differential signal from a bridge transducer, such as a load cell. The amplified differential output signal is then input into an A/D converter that has a fully differential input.

For narrowband signals below 2 kHz, the CS3002 dual amplifier is a good choice for this amplifier configuration because it provides low noise and can be configured for gains as high as 2000X. Gain is set by the equation,

$$V_{OUT} = \left((VIN+) - (VIN-) \right) \left(1 + \frac{R13 + R19}{R_x} \right)$$

where R_x is R15, R16, or R17, selected by a jumper connection.

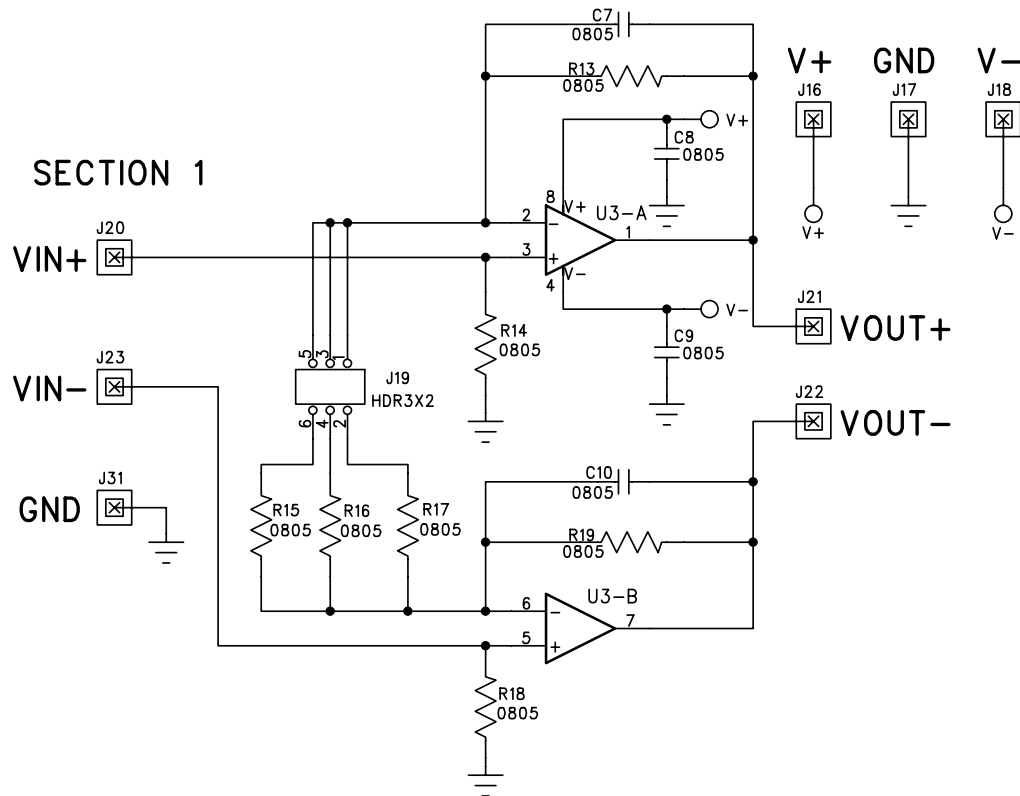


Figure 1. Section 1 Schematic, Differential Input / Differential Output

3. CIRCUIT 2 - DIFFERENTIAL INPUT / SINGLE-ENDED OUTPUT

Circuit 2 is a differential amplifier that uses two op-amps. The board accepts a dual amplifier for this function. This circuit accepts a differential input signal, amplifies it, and converts the signal to a ground-referenced, single-ended output signal. Gain is set by the equation,

$$V_{OUT} = \left((VIN+) - (VIN-) \right) \left(1 + \frac{R25}{R21} + \frac{2 \cdot R25}{R23} \right)$$

$$R20 = R21$$

$$R22 = R25$$

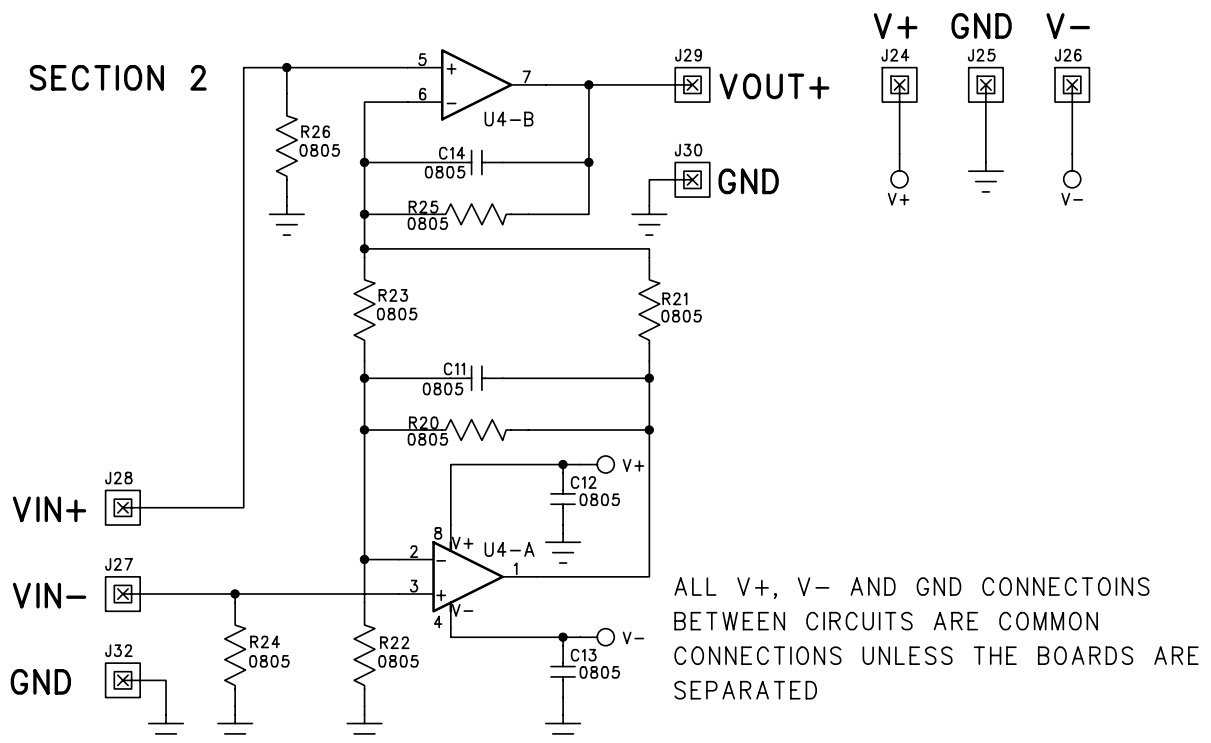


Figure 2. Section 2 Schematic, Dual Op-amp Instrumentation Amplifier

4. CIRCUIT 3 & 4 - INVERTING / NON-INVERTING GAIN

Circuit 3 and Circuit 4 are identical, single-amplifier circuits that, according to component placement, can be configured for either inverting or non-inverting gain. Although the two schematics are identical in function, the circuits do have unique component designators.

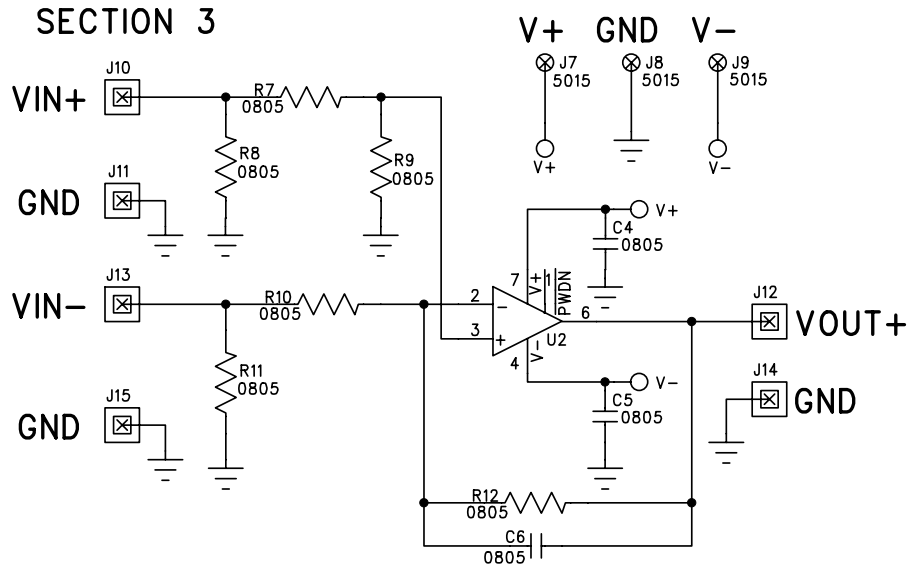


Figure 3. Section 3 Schematic, Inverting or Non-inverting Amplifier

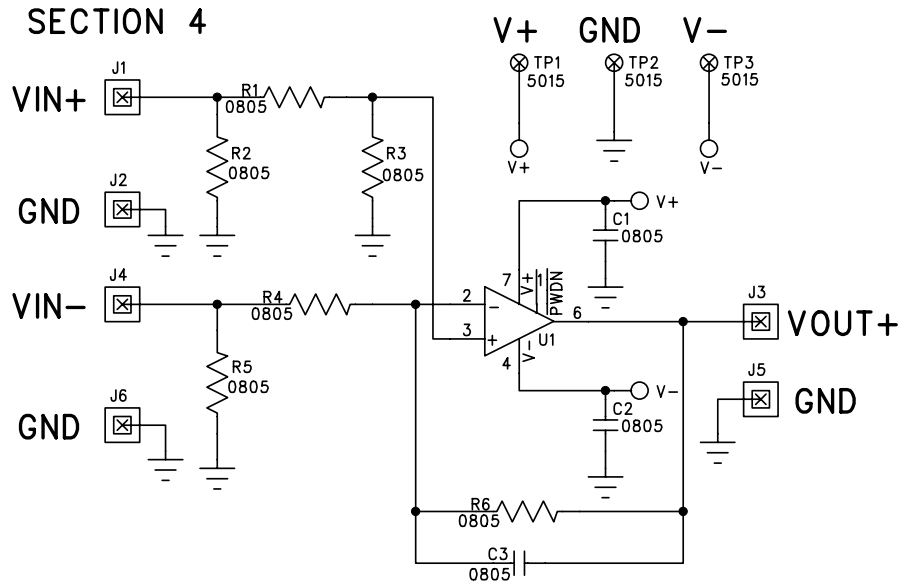
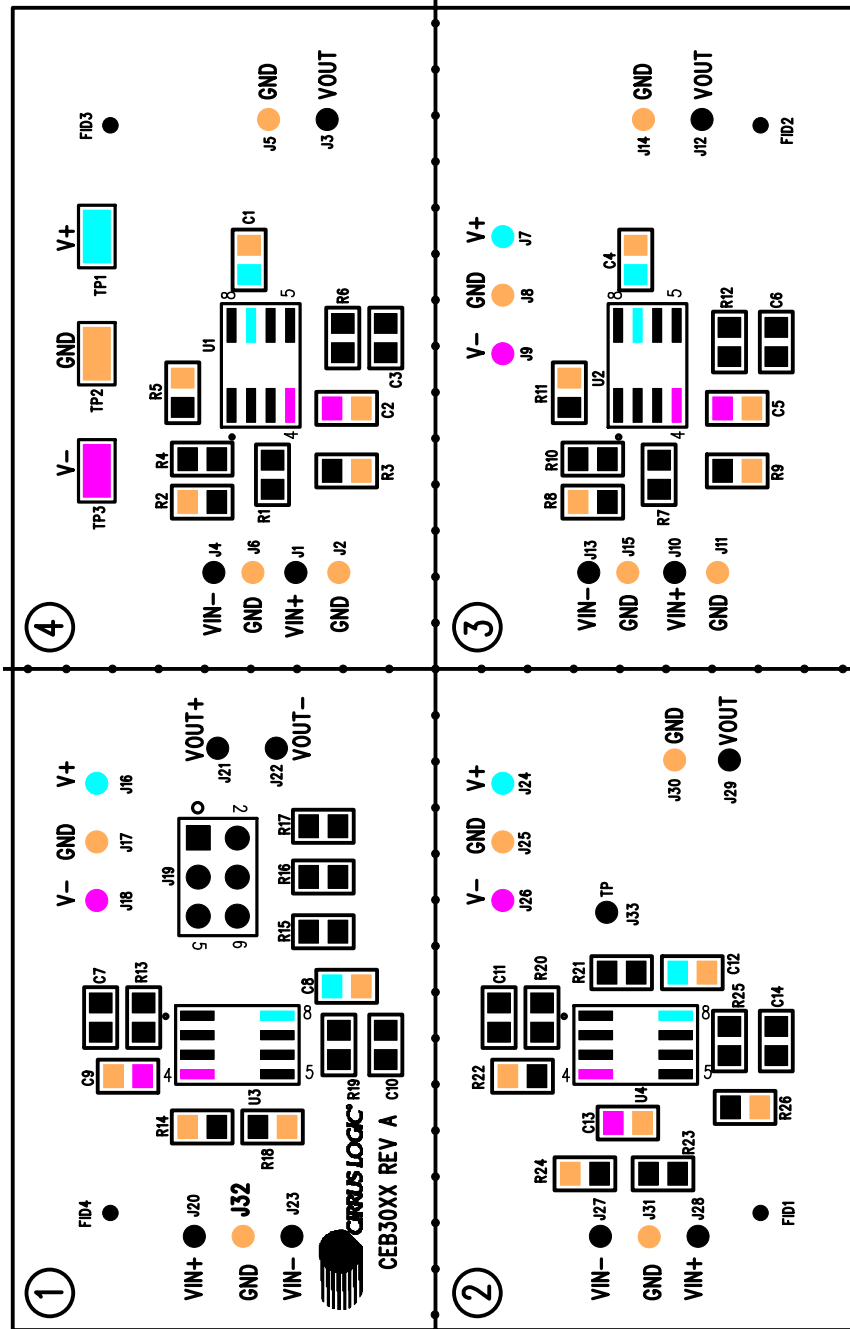


Figure 4. Section 4 Schematic, Inverting or Non-inverting Amplifier

APPENDIX A. PCB LAYER PLOTS

Figure 5. Silkscreen

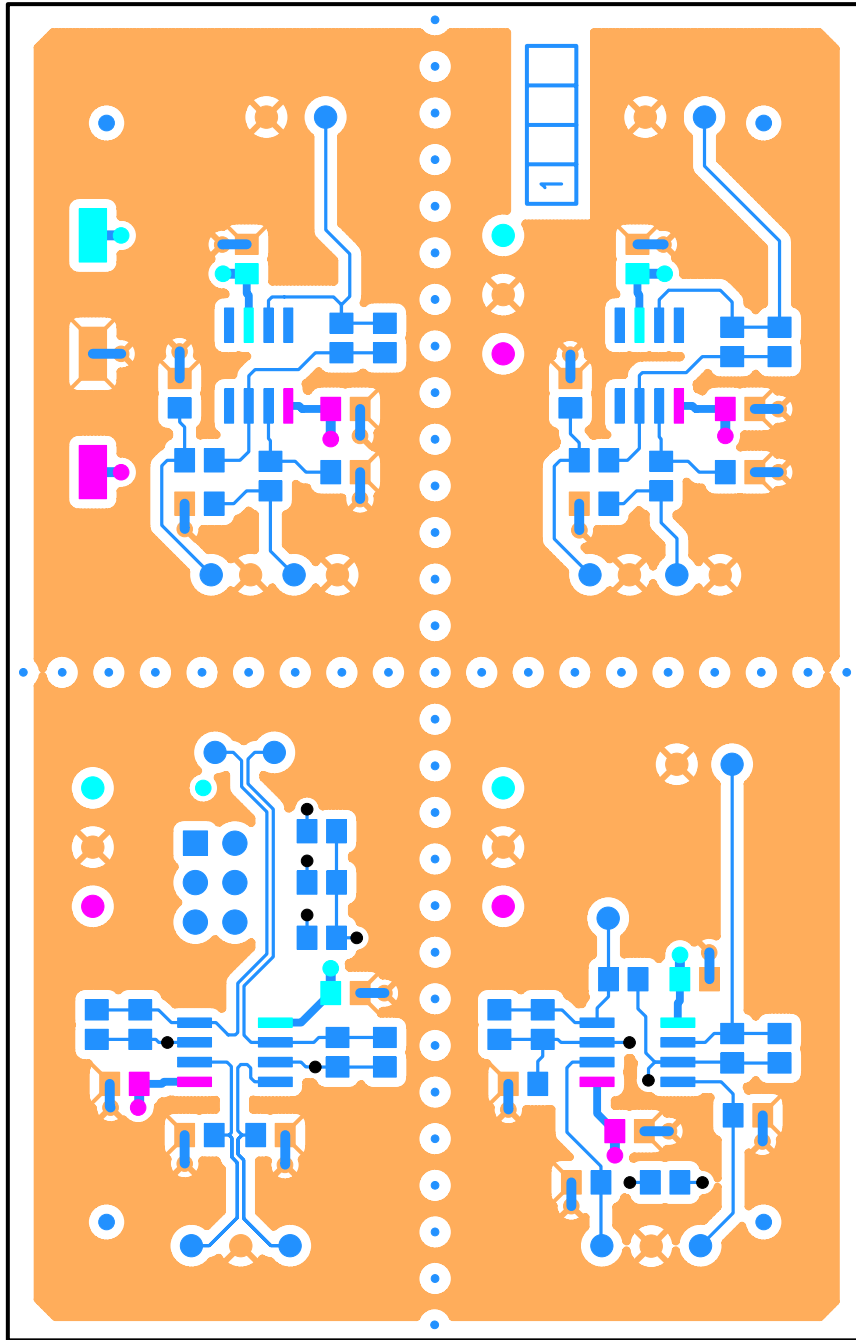


Figure 6. Component Side Routing

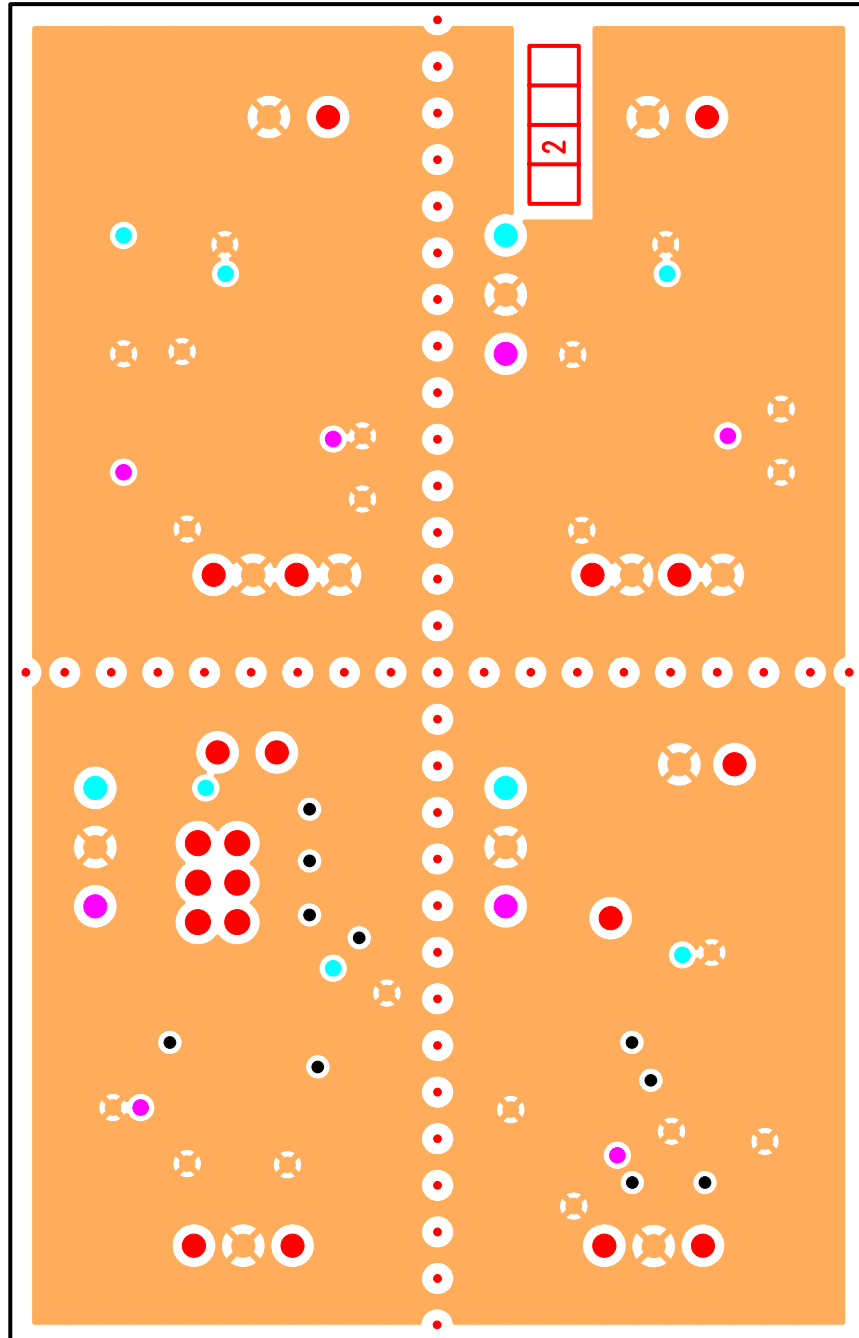


Figure 7. Ground Plane

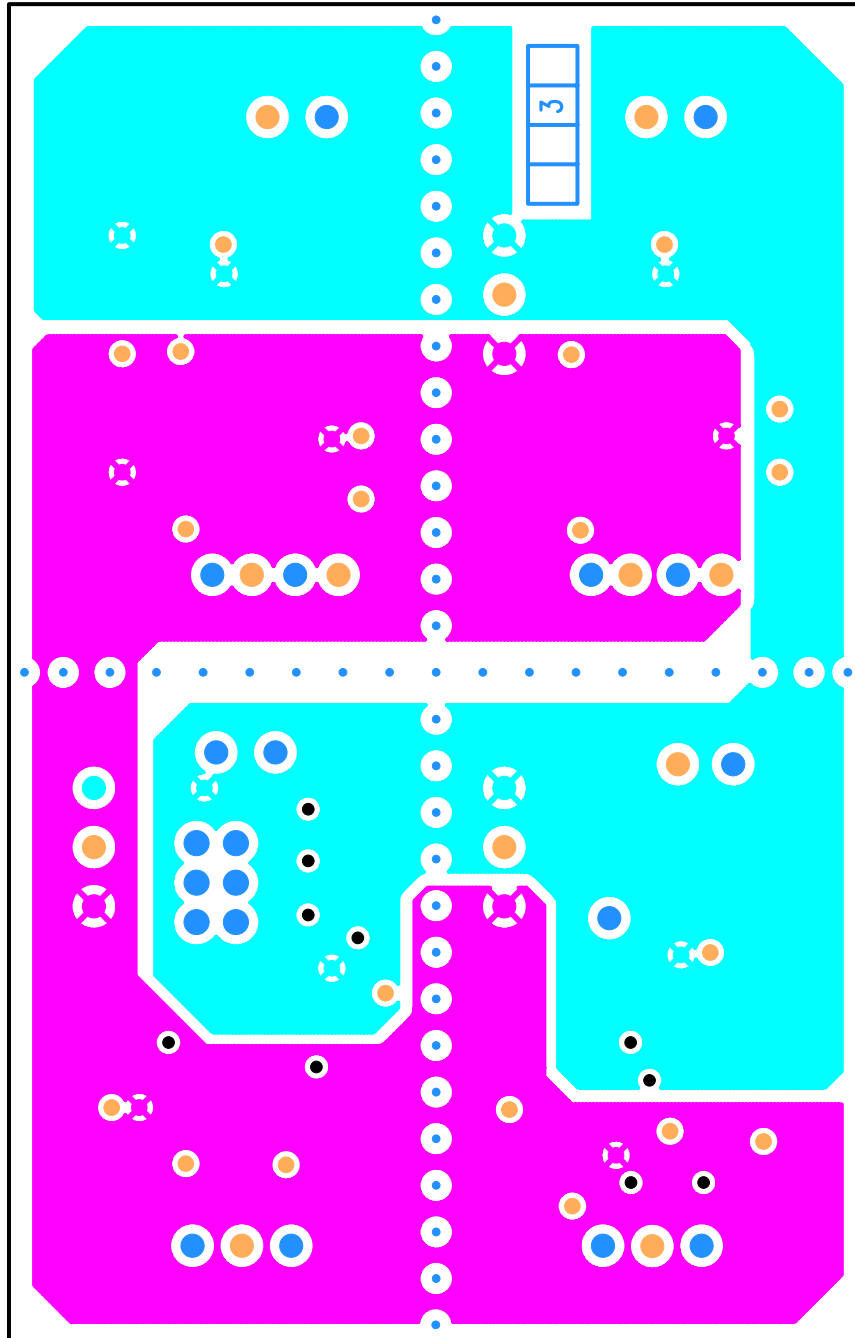


Figure 8. Power Plane

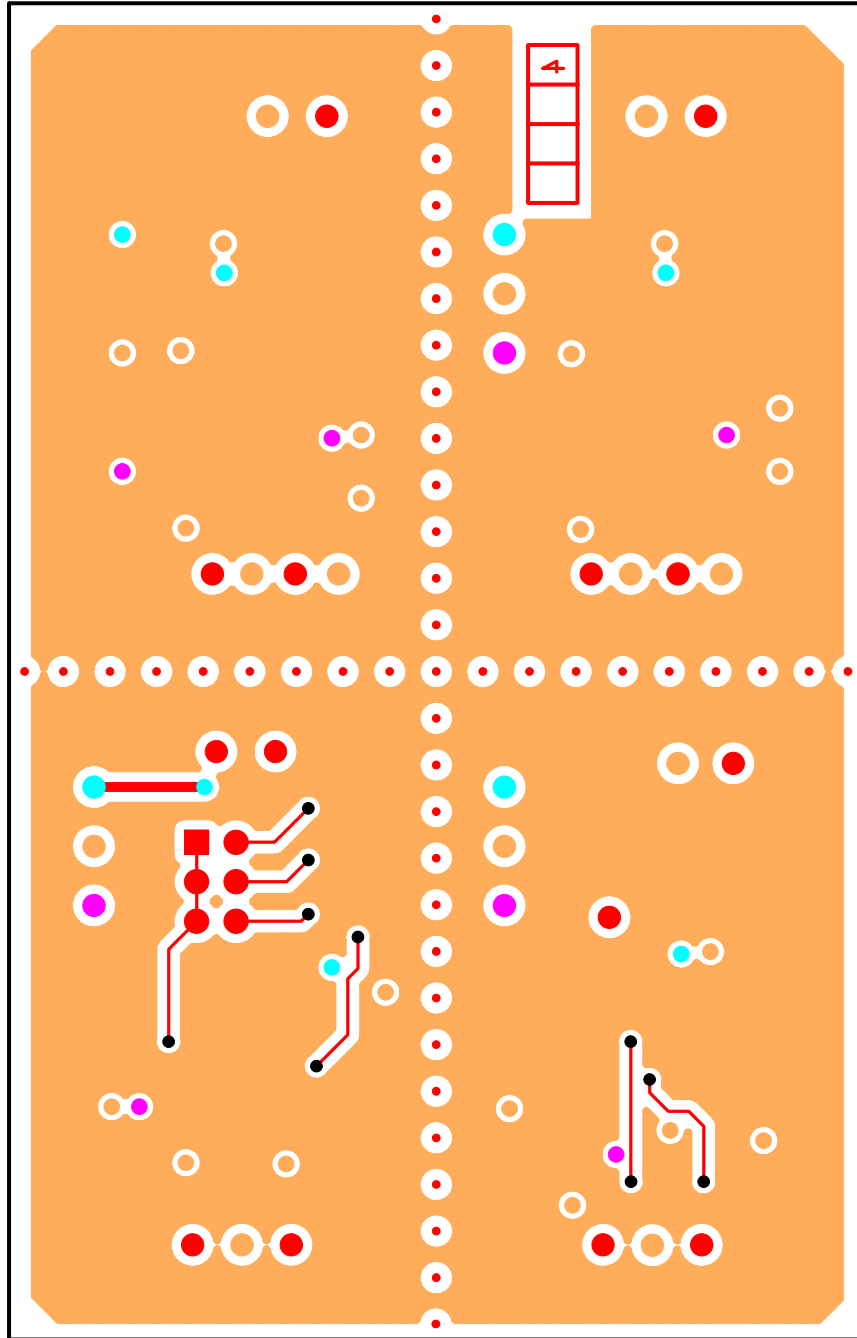


Figure 9. Bottom Side Routing

REVISION HISTORY

Revision	Date	Changes
DB1	JUN 2007	Initial Release.
DB2	JUN 2007	Added photo of board to front page. Changed text to reflect board is shipped with op-amp samples.

Contacting Cirrus Logic Support

For all product questions and inquiries contact a Cirrus Logic Sales Representative.

To find the one nearest to you go to www.cirrus.com

IMPORTANT NOTICE

"Advance" product information describes products that are in development and subject to development changes.

Cirrus Logic, Inc. and its subsidiaries ("Cirrus") believe that the information contained in this document is accurate and reliable. However, the information is subject to change without notice and is provided "AS IS" without warranty of any kind (express or implied). Customers are advised to obtain the latest version of relevant information to verify, before placing orders, that information being relied on is current and complete. All products are sold subject to the terms and conditions of sale supplied at the time of order acknowledgment, including those pertaining to warranty, indemnification, and limitation of liability. No responsibility is assumed by Cirrus for the use of this information, including use of this information as the basis for manufacture or sale of any items, or for infringement of patents or other rights of third parties. This document is the property of Cirrus and by furnishing this information, Cirrus grants no license, express or implied under any patents, mask work rights, copyrights, trademarks, trade secrets or other intellectual property rights. Cirrus owns the copyrights associated with the information contained herein and gives consent for copies to be made of the information only for use within your organization with respect to Cirrus integrated circuits or other products of Cirrus. This consent does not extend to other copying such as copying for general distribution, advertising or promotional purposes, or for creating any work for resale.

CERTAIN APPLICATIONS USING SEMICONDUCTOR PRODUCTS MAY INVOLVE POTENTIAL RISKS OF DEATH, PERSONAL INJURY, OR SEVERE PROPERTY OR ENVIRONMENTAL DAMAGE ("CRITICAL APPLICATIONS"). CIRRUS PRODUCTS ARE NOT DESIGNED, AUTHORIZED OR WARRANTED FOR USE IN AIRCRAFT SYSTEMS, MILITARY APPLICATIONS, PRODUCTS SURGICALLY IMPLANTED INTO THE BODY, AUTOMOTIVE SAFETY OR SECURITY DEVICES, LIFE SUPPORT PRODUCTS OR OTHER CRITICAL APPLICATIONS. INCLUSION OF CIRRUS PRODUCTS IN SUCH APPLICATIONS IS UNDERSTOOD TO BE FULLY AT THE CUSTOMER'S RISK AND CIRRUS DISCLAIMS AND MAKES NO WARRANTY, EXPRESS, STATUTORY OR IMPLIED, INCLUDING THE IMPLIED WARRANTIES OF MERCHANTABILITY AND FITNESS FOR PARTICULAR PURPOSE, WITH REGARD TO ANY CIRRUS PRODUCT THAT IS USED IN SUCH A MANNER. IF THE CUSTOMER OR CUSTOMER'S CUSTOMER USES OR PERMITS THE USE OF CIRRUS PRODUCTS IN CRITICAL APPLICATIONS, CUSTOMER AGREES, BY SUCH USE, TO FULLY INDEMNIFY CIRRUS, ITS OFFICERS, DIRECTORS, EMPLOYEES, DISTRIBUTORS AND OTHER AGENTS FROM ANY AND ALL LIABILITY, INCLUDING ATTORNEYS' FEES AND COSTS, THAT MAY RESULT FROM OR ARISE IN CONNECTION WITH THESE USES.

Cirrus Logic, Cirrus, and the Cirrus Logic logo designs are trademarks of Cirrus Logic, Inc. All other brand and product names in this document may be trademarks or service marks of their respective owners.

NOTES