

5

4

3

2

1

DRAWING NO.

CPMC881-CUST

## REVISIONS

OFFICAL RELEASE

01

03-05-09

Z  
GB  
Y

T

02

07-27-11

Y  
GY  
GM  
L

03

07-27-11

Y  
GY  
GM  
L

ECO-11-0270

INSULATOR MATERIAL WAS PTFE  
 BODY MATERIAL WAS BRASS  
 DIMENSIONS 11.5±0.1 WAS  
 12.1±0.1; Ø5.6 WAS Ø5.23;  
 Ø6.5 WAS Ø6.22; 15.0±0.3 WAS 14.8  
 ADDED: CABLE STRIP  
 DIMENSIONS

Description: Stright BNC Crimp Plug For RG58 Style Cable

Part No: CPMC881

Application: For Cable RG58 Style

Crimp Tool: 24-9958P

Impedance: 50 Ohms

Fequency Range: 0-4 GHz

Material: Body Zinc Nickel Plated

Contact Brass Gold Plated

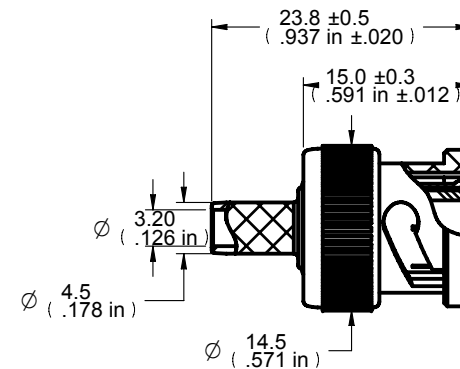
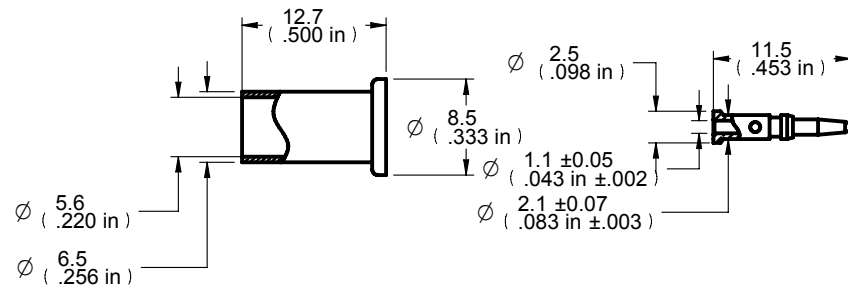
Insulator POM

Crimp Sleeve Brass Nickel Plated

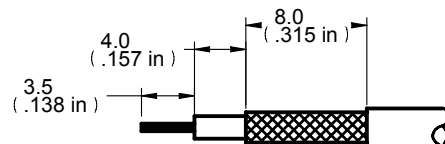
Coupling Nut Zinc Nickel Plated

RoHS Compliance: Yes

Technical Detail: Refer to Emerson Document P/N 27-0000



## DIM OUTLINE



## CABLE STRIP DIMENSIONS

TOLERANCE UNLESS OTHERWISE SPECIFIED		DRAWN BY YUGE HU	DATE 07-27-11
DECIMALS	mm	CHECKED BY YUGE HU	DATE 07-27-11
X	± 0.5	APPROVED BY LIN MA	DATE 07-27-11
X.X	± 0.2	U/M	mm
X.XX	± 0.1		
ANGLES	± 0.5°		

THIS DRAWING WAS PRODUCED BY COMPUTER,  
 DO NOT SCALE DRAWING OR UPDATE MANUALLY.

		Connectivity Solutions	
		TITLE STRAIGHT BNC CRIMP PLUG FOR R58 STYLE CABLE	
SHEET 1 OF 1	DRAWING NO. CPMC881-CUST	SIZE A	

## CUSTOMER COPY

5

4

3

2

1