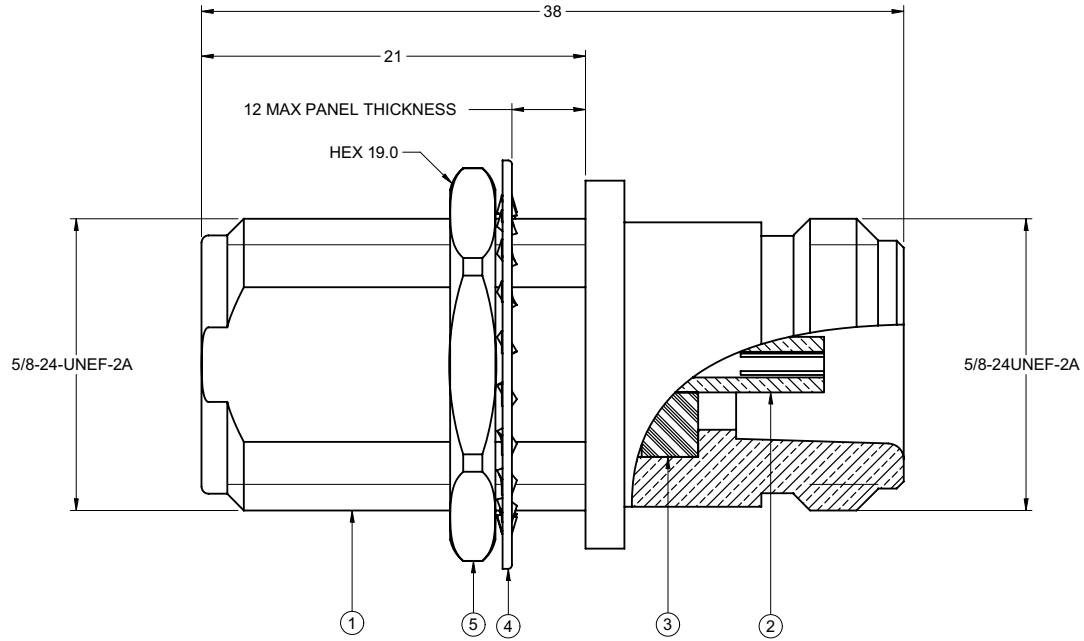


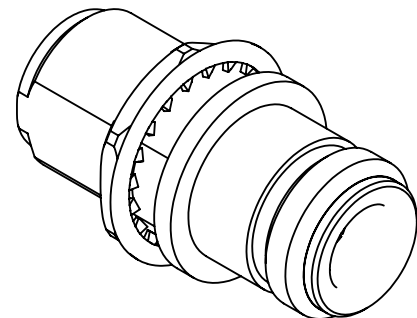
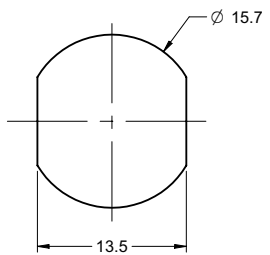
|             |                        |                         |                     |                        |                        |
|-------------|------------------------|-------------------------|---------------------|------------------------|------------------------|
| PART NUMBER | ITEM ①<br>BODY         | ITEM ②<br>CONTACT       | ITEM ③<br>INSULATOR | ITEM ④<br>LOCK WASHER  | ITEM ⑤<br>MOUNTING NUT |
| CP-AD851    | BRASS<br>NICKEL PLATED | BERYLLIN<br>GOLD PLATED | TEFLON              | STEEL<br>NICKEL PLATED | BRASS<br>NICKEL PLATED |

|                        |          |           |    |                  |           |
|------------------------|----------|-----------|----|------------------|-----------|
| 受控 CONTROLLED DOCUMENT |          |           |    |                  |           |
| 编号<br>P/N              | CP-AD851 | 版本<br>Rev | 0A | 日期<br>Rel'd Date | Mar 24,08 |

|                         |                |
|-------------------------|----------------|
| DRAWING NO.<br>CP-AD851 |                |
| REVISIONS               |                |
| RELEASE FOR QUATION     |                |
| A                       | 06-10-06 L Y T |



RECOMMENDED MOUNTING HOLE DIMENSIONS



NOTES:

1. ELECTRICAL SPECIFICATIONS

IMPEDANCE: 50 OHMS NOMINAL  
 FREQUENCY RANGE: 0-11 GHz  
 WORKING VOLTAGE: 500 VOLTS RMS AT SEA LEVEL  
 DIELECTRIC WITHSTANDING VOLTAGE: 1500 VOLTS RMS AT SEA LEVEL  
 CORONA LEVEL: 375 VOLTS MIN AT 70,000 FEET  
 CONTACT RESISTANCE: OUTER-0.2 MILLIOHMS MAX  
 CENTER-2.1 MILLIOHMS MAX  
 INSULATION RESISTANCE: 5000 MEGOHMS MIN

2. MECHANICAL SPECIFICATIONS

DURABILITY: 500 CYCLES MIN

3. ENVIRONMENTAL SPECIFICATIONS

RECOMMENDED TEMPERATURE RANGE: -55 °C TO +85 °C  
 MOISTURE RESISTANCE: MIL-STD-202

THIS DRAWING TO BE INTERPRETED PER ANSI Y 14.5M - 1994

COMPANY CONFIDENTIAL

|                                      |        |                        |                  |
|--------------------------------------|--------|------------------------|------------------|
| TOLERANCE UNLESS OTHERWISE SPECIFIED |        | DRAWN BY<br>LINDA.WU   | DATE<br>06-10-06 |
| DECIMALS                             | mm     | CHECKED BY<br>BETTY.YU | DATE<br>06-10-06 |
| X                                    | ± 0.5  | APPROVED BY<br>THOMAS  | DATE<br>06-10-06 |
| X.X                                  | ± 0.2  |                        |                  |
| X.XX                                 | ± 0.1  |                        |                  |
| ANGLES                               | ± 0.5° | U/M                    | mm               |

|  |  |
|--|--|
|  |  |
| TITLE<br>N JACK TO BULKHEAD JACK ADAPTER |  |

|   |  |                 |                         |           |
|---|--|-----------------|-------------------------|-----------|
| THIS DRAWING WAS PRODUCED BY COMPUTER, DO NOT SCALE DRAWING OR UPDATE MANUALLY. |  | SHEET<br>1 OF 1 | DRAWING NO.<br>CP-AD851 | SIZE<br>C |
|---|--|-----------------|-------------------------|-----------|