

5

4

3

2

1

D

C

B

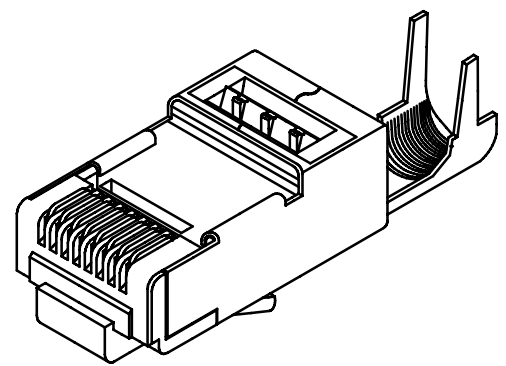
A

D

C

B

A



Description: Eight Conductor MOD Plug, Shield

Part No: 32-2298UL

Plug Tolerance and DIM: Complies with F.C.C requirements

Flame and Extinguish: 94-V0

Operation Temperature: -40°C to +85°C

Contact Resistance: 10 Milliohms Max.

Current/Voltage: 30 VAC/42 VDC at 1.5 AMPS

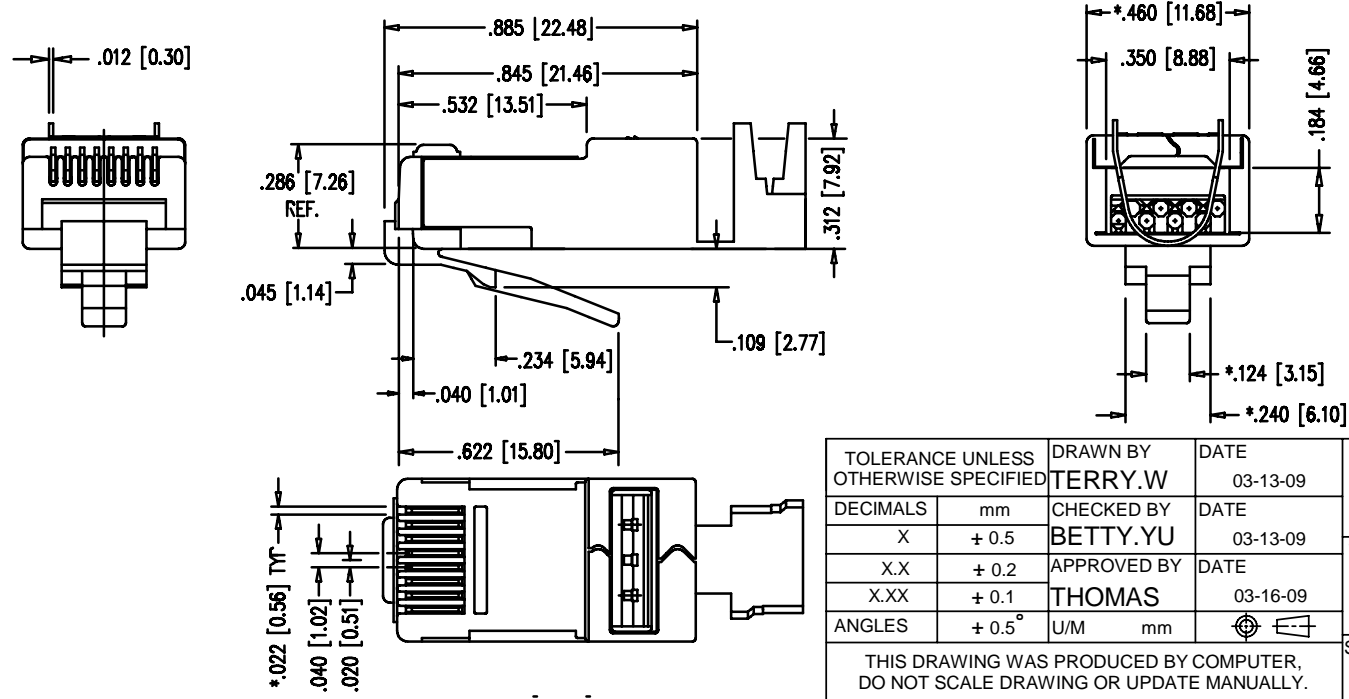
Material: Shield .012THK CDA-260 1/4 HARD BRASS
100-150 MICRO-INCH TIN PLATED

Housing Polycarbonate

Contact Phosphor bronze-.012THK
Gold plated

RoHS Compliance: Yes

Technical Detail: Meets or exceeds Category 5e TIA/EIA 568-B.2



DRAWING NO.	
32-2298UL-CUST	
REVISIONS	
01	OFFICIAL RELEASE
	10-13-09 T W B Y T
02	TYP0 MISTAKE: BRESS SHOULD BE BRASS UPDATE SPECIFICATIONS
	08-14-12 Y G Y G M L ECO-12-0208

CUSTOMER COPY

TOLERANCE UNLESS OTHERWISE SPECIFIED		DRAWN BY	DATE
DECIMALS	mm	TERRY.W	03-13-09
X	+ 0.5	CHECKED BY	DATE
X.X	+ 0.2	BETTY.YU	03-13-09
X.XX	+ 0.1	APPROVED BY	DATE
ANGLES	+ 0.5°	THOMAS	03-16-09
		U/M	mm

EMERSON Network Power

Connectivity Solutions

TITLE

Eight Conductor MOD Plug, Shield

THIS DRAWING WAS PRODUCED BY COMPUTER, DO NOT SCALE DRAWING OR UPDATE MANUALLY.

SHEET	DRAWING NO.	SIZE
1 OF 1	32-2298UL-CUST	A

5

4

3

2

1