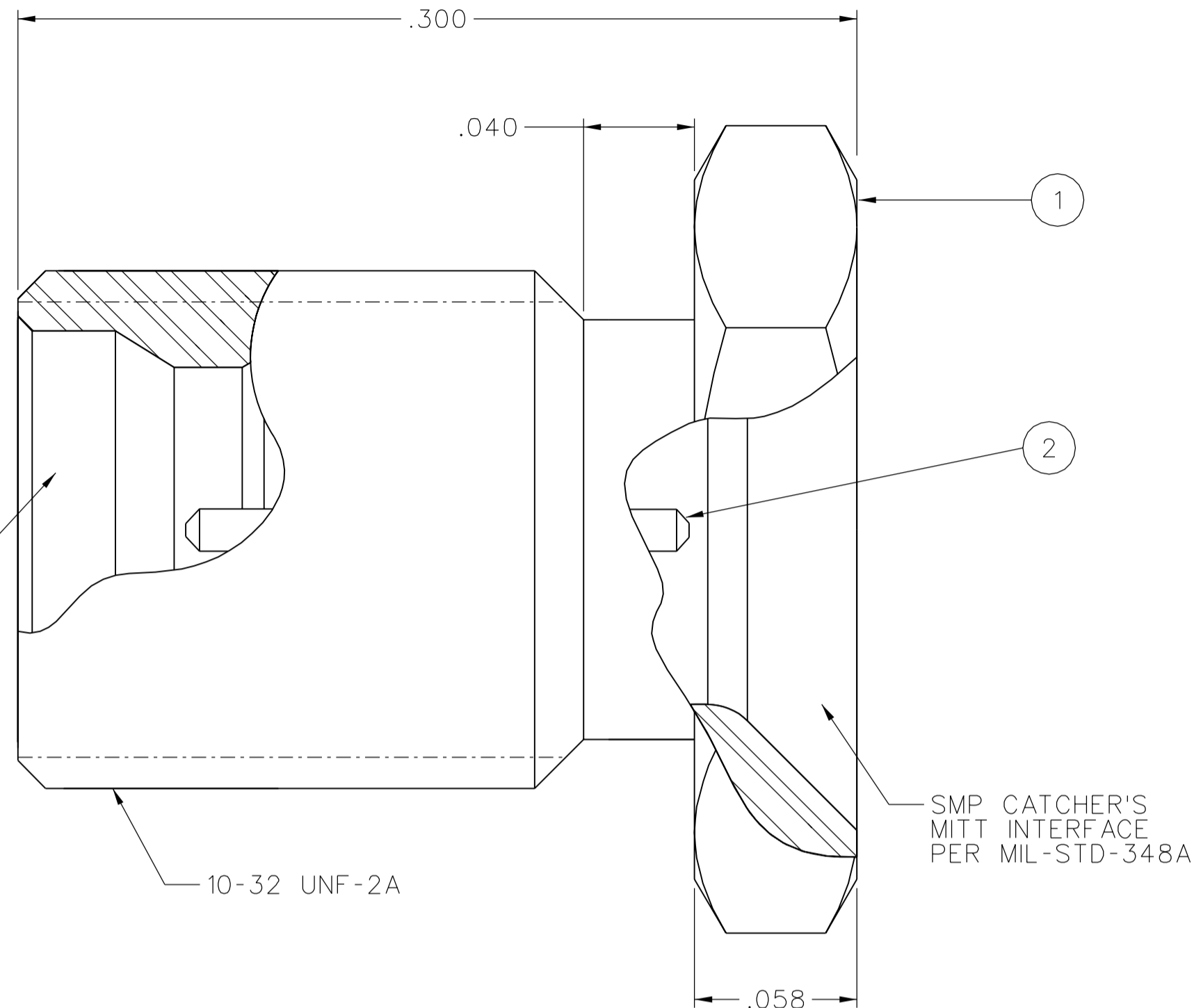
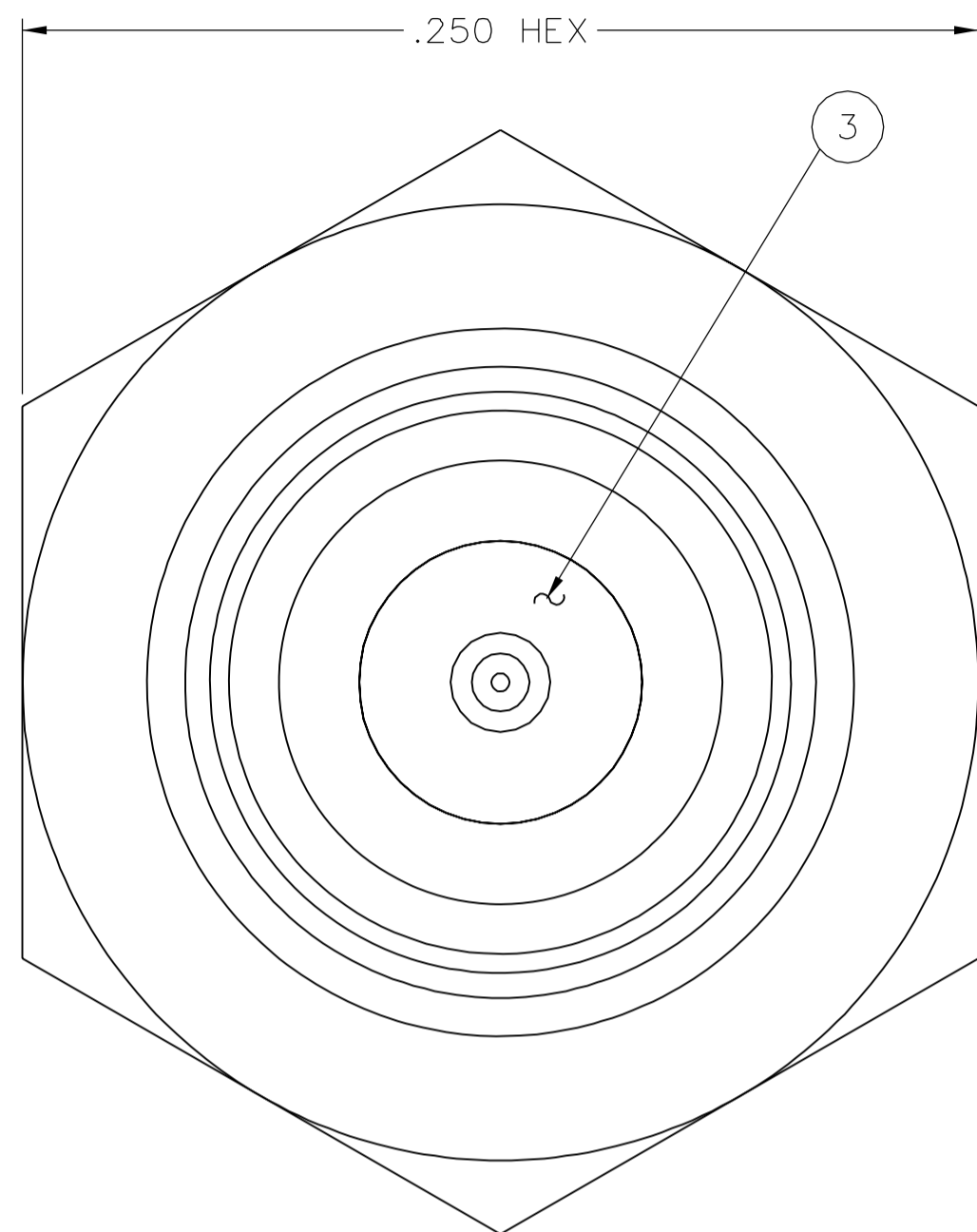


PART NUMBER 127-0901-822	ITEM ① BODY STAINLESS STEEL PASSIVATED	ITEM ③ CONTACT BERYLLIUM COPPER GOLD PL .00005 MIN OVER NICKEL PL .00005 MIN OVER COPPER PL .00005 MIN	ITEM ③ INSULATOR TEFLON
-----------------------------	---	---	-------------------------------

DRAWING NO. C - 127-0901-821/830	
0	REVISIONS
ENGINEERING RELEASE	
1	6-19-07 PAT JRK MJD PDW JCN 6-20-07 ECN 51086



SMP FULL DETENT  
INTERFACE  
PER MIL-STD-348A

SMP CATCHER'S  
MITT INTERFACE  
PER MIL-STD-348A

10-32 UNF-2A

NOTES:

1. SPECIFICATIONS:

IMPEDENCE: 50 OHMS NOMINAL  
 FREQUENCY RANGE: 0-18 GHz  
 VSWR: 1.10 MAX AT 0-4 GHz  
 1.15 MAX AT 4-12 GHz  
 1.20 MAX AT 12-18 GHz  
 INSERTION LOSS:  $0.10\sqrt{F}$  (GHz) dB MAX, TESTED AT 10 GHz  
 WORKING VOLTAGE: 335 VRMS MAX AT SEA LEVEL  
 DIELECTRIC WITHSTANDING VOLTAGE: 500 VRMS MIN AT SEA LEVEL  
 INSULATION RESISTANCE: 5000 MEGOHM MIN  
 CONTACT RESISTANCE:  
 CENTER CONTACT - INITIAL 6.0 MILLIOHM MAX, AFTER ENVIRONMENTAL NOT APPLICABLE  
 OUTER CONDUCTOR - INITIAL 2.0 MILLIOHM MAX, AFTER ENVIRONMENTAL NOT APPLICABLE  
 CORONA LEVEL: 190 VOLTS MIN AT 70,000 FEET  
 RF HIGH POTENTIAL WITHSTANDING VOLTAGE: 325 VRMS MIN AT 4 AND 7 MHz  
 RF LEAKAGE: -65 dB TYPICAL, TESTED AT 2.5 GHz

MECHANICAL:

CONTACT RETENTION: 1.5 LBS MIN AXIAL FORCE

FULL DETENT MATING INTERFACE

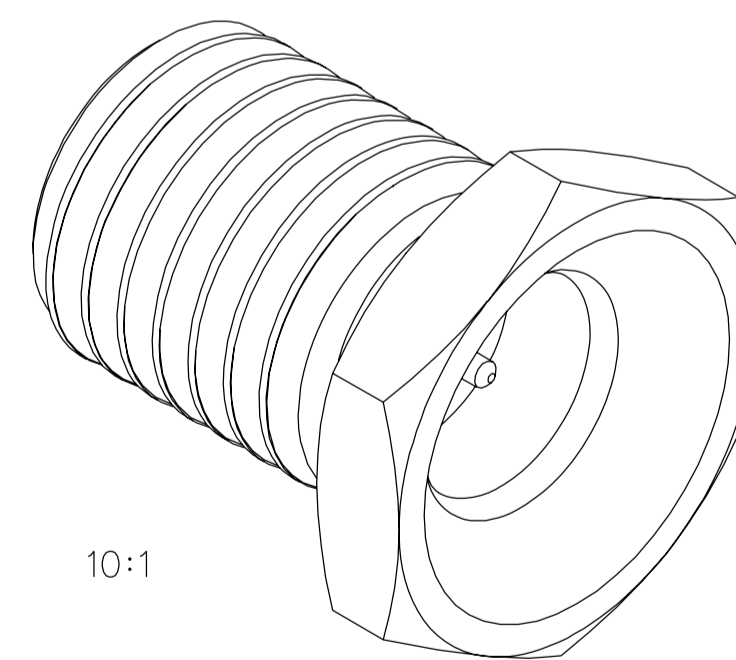
INTERFACE DESIGN: IN ACCORDANCE WITH MIL-STD-348A, SERIES SMP, FULL DETENT  
 ENGAGEMENT FORCE: 15.0 LBS MAX  
 DISENGAGEMENT FORCE: 5.0 LBS MIN  
 DURABILITY: 100 CYCLES MIN

CATCHER'S MITT MATING INTERFACE

INTERFACE DESIGN: IN ACCORDANCE WITH MIL-STD-348A, SERIES SMP, CATCHER'S MITT  
 ENGAGEMENT FORCE: 2.0 LBS MAX  
 DISENGAGEMENT FORCE: 0.5 LBS MIN  
 DURABILITY: 1000 CYCLES MIN

ENVIRONMENTAL:

(MEETS OR EXCEEDS THE APPLICABLE PARAGRAPH OF DSCC DWG NO. 94007)  
 OPERATING TEMPERATURE: -65°C TO 165°C  
 THERMAL SHOCK: MIL-STD-202, METHOD 107, CONDITION B, EXCEPT 165°C HIGH TEMP  
 MECHANICAL SHOCK: MIL-STD-202, METHOD 213, CONDITION I  
 CORROSION: MIL-STD-202, METHOD 101, CONDITION B  
 VIBRATION: MIL-STD-202, METHOD 204, CONDITION D  
 MOISTURE RESISTANCE: MIL-STD-202, METHOD 106, EXCEPT STEP 7B OMITTED



10:1

CUSTOMER DRAWING

THIS DRAWING TO BE INTERPRETED  
PER ASME Y 14.5M - 1994

"μSTATION"

COMPANY CONFIDENTIAL

TOLERANCE UNLESS OTHERWISE SPECIFIED		DRAWN BY PAT	DATE 5/9/07	<b>Connectivity Solutions</b> P.O. Box 1732 Waseca, MN 56093 1-800-247-8256
DECIMALS	mm	CHECKED BY JRK	DATE 6-19-07	
.XX	_____	APPROVED BY PDW	DATE 6-20-07	TITLE SMP ADAPTER FULL DETENT TO CATCHER'S MITT
.XXX REF	_____	RELEASE DATE	6-20-07	SHEET 2 OF 2
MATL	_____	U/M	INCH	DRAWING NO. C - 127-0901-821/830
FINISH	_____	SCALE	20:1	