

R-Series



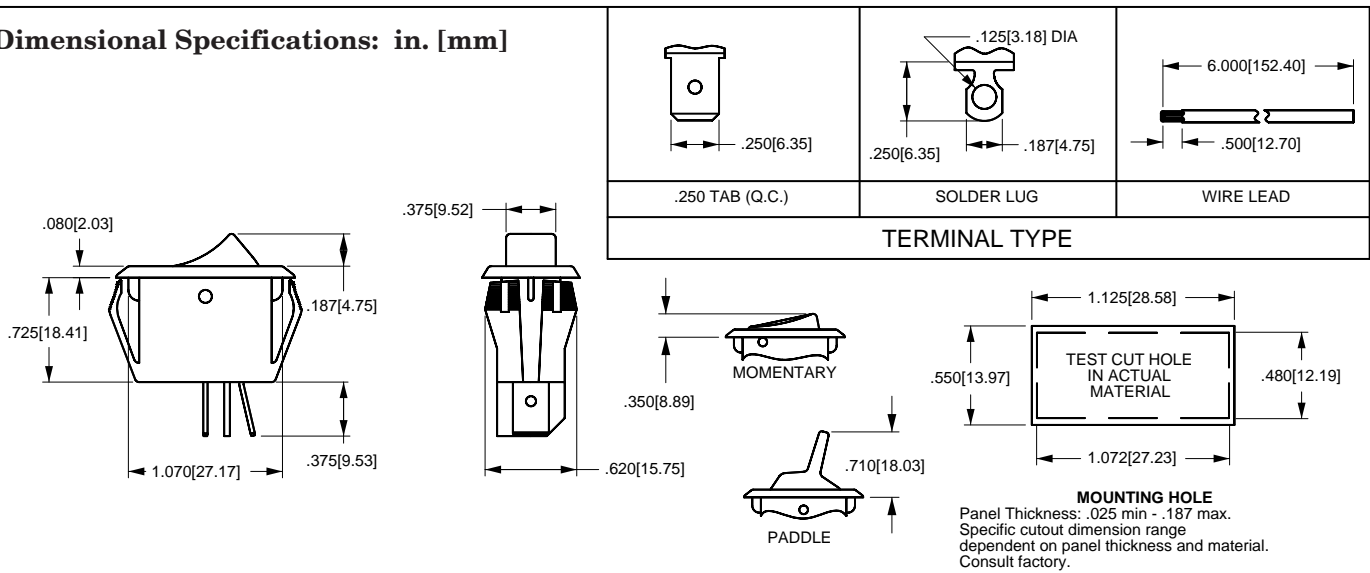
The R-Series Curvette single pole miniature snap-in rocker switches are available with momentary, rocker, paddle & Visi-Rocker type actuators. These aesthetically pleasing switches are compatible with a range of standard panel cutouts. Electrical ratings, with international approvals, are available up to 16 amps.

Specifications

- Certifications*: UL, CSA, VDE, TUV, SEMKO, DEMKO, NEMKO, FIMKO, SEV and BEAB
- Dielectric Strength: 1,000 V (minimum)
- Insulation Resistance: 100 Megohms (minimum)
- Base Material: Nylon
- Actuator Material: Polyester or Nylon

* Due to ongoing technological advances, consult factory for certification specifics.

Dimensional Specifications: in. [mm]



R A 91 1 - V B - B - 0 - V

SERIES	RATING¹	TERMINATION	BASE COLOR²	COLOR OF MOLDED-IN LEGEND AND/OR VISI-ROCKER END²																				
R SINGLE POLE	20 10A 250VAC 16A 125VAC 3/4HP 125-250VAC	0 SOLDER LUG 1 .250TAB (QC) 5 WIRE LEAD	B BLACK W WHITE	N NOT APPLICABLE B BLACK V VISI-RED W WHITE																				
CIRCUIT	21 10A 250 VAC 16A 125VAC	ACTUATOR STYLE	ROCKER FACE LEGEND																					
A OFF-NONE-ON	22 8A 250VAC 12A 125VAC 1/2HP 125-250VAC	M MOMENTARY ROCKER	<table border="0"> <tr> <td>MOLDED-IN³</td> <td>INK TRANSFER STAMP⁴</td> </tr> <tr> <td>0 NO LEGEND</td> <td>0</td> </tr> <tr> <td>1 OFF-ON (VERTICAL)</td> <td>A</td> </tr> <tr> <td>2 OFF-ON (HORIZONTAL)</td> <td>B</td> </tr> <tr> <td>8 O-I (HORIZONTAL)</td> <td>D</td> </tr> <tr> <td>9 O-I (VERTICAL)</td> <td>E</td> </tr> <tr> <td>ON-OFF (VERTICAL)</td> <td>F</td> </tr> <tr> <td>ON-OFF (HORIZONTAL)</td> <td>G</td> </tr> <tr> <td>DUAL LEGEND:</td> <td></td> </tr> <tr> <td>OFF O-I ON (VERTICAL)</td> <td>H</td> </tr> </table>		MOLDED-IN³	INK TRANSFER STAMP⁴	0 NO LEGEND	0	1 OFF-ON (VERTICAL)	A	2 OFF-ON (HORIZONTAL)	B	8 O-I (HORIZONTAL)	D	9 O-I (VERTICAL)	E	ON-OFF (VERTICAL)	F	ON-OFF (HORIZONTAL)	G	DUAL LEGEND:		OFF O-I ON (VERTICAL)	H
MOLDED-IN³	INK TRANSFER STAMP⁴																							
0 NO LEGEND	0																							
1 OFF-ON (VERTICAL)	A																							
2 OFF-ON (HORIZONTAL)	B																							
8 O-I (HORIZONTAL)	D																							
9 O-I (VERTICAL)	E																							
ON-OFF (VERTICAL)	F																							
ON-OFF (HORIZONTAL)	G																							
DUAL LEGEND:																								
OFF O-I ON (VERTICAL)	H																							
C ON-OFF-ON Available w/ratings 21, 23, 58, & 91 only	23 10A 250VAC 16A 125VAC 1/2HP 125-250VAC	P PADDLE R ROCKER V TWO COLOR VISI-ROCKER																						
D OFF-NONE-(ON) Available w/rating 22 only	58 5A 277VAC 10A 125VAC 10A 30V 8A 14VT	ACTUATOR COLOR²																						
AD OFF-NONE-ON Double Insulation	90 10A 250VAC 16A 125VAC 3/4HP 125-250VAC 10(4)A 250VAC μ T85	B BLACK W WHITE																						
BD ON-NONE-ON Double Insulation	91 10A 250VAC 16A 125VAC 10(4)A 250VAC μ T85																							
CD ON-OFF-ON Double Insulation Available w/ratings 21 and 58 only																								

NOTES:

Shading indicates standard configurations.

Panel Cut-Out Recommendations: For sheet metal panels, switch must enter panel in same direction as the punch. (Burr on bottom.) Test cut hole in actual material.

1. Additional ratings are available. Consult factory.
Rating 22 must use circuit D only and momentary rocker.
2. Matte finish is standard. Custom colors are available. Consult factory.
3. Molded-in Legend available only with Visi-Rocker option.
4. White is standard with dark actuators; black is standard with light actuators.