

**Telecom OC12 VCXO**

- 311.04 MHz Fixed Osc
- PECL Output

**Applications**

- SDH / SONET
- Digital Switching
- Test Equipment
- Cellular Telephony
- Land Mobile Radio

Series

**C3VFSE**



**Part Numbering Example: C3VFSE Z**

| <b>Specifications:</b>  | <b>Min</b>  | <b>Typ</b>                          | <b>Max</b> | <b>Unit</b> |
|---|-------------|-------------------------------------|------------|-------------|
| <b>Frequency Range:</b>                                       |             | 311.04                              |            | MHz         |
| <b>Available Stability Options:</b>                           | -30         |                                     | 30         | ppm         |
| <b>Supply Voltage:</b>  | 3.135       | 3.3                                 | 3.465      | V           |
| <b>Operating Temperature Range Options:</b>                   | -10         |                                     | 85         | °C          |
| <b>Storage Temperature:</b>                                   | -55         |                                     | 125        | °C          |
| <b>Duty Cycle:</b>  | 45          |                                     | 55         | %           |
| <b>Start-Up Time:</b>   |             | 3                                   | 10         | mS          |
| <b>Aging (PPM/1st Year):</b><br>Ta=25C, Vdd=3.3V              |             |                                     | ±5         |             |
| <b>Static Discharge Voltage</b><br>Mil-Std 883, method 3015   | 2000        |                                     |            | V           |
| <b>Supply Current</b>   |             |                                     | 100        | mA          |
| <b>Short Circuit Current</b>                                  |             | ± 50                                |            | mA          |
| <b>Jitter (RMS)</b><br>Integrated (12KHz - 20MHz)<br>Period   |             | 3<br>10                             | 4          | pS<br>pS    |
| <b>Phase Noise</b><br>@10KHz Offset                           |             | -122                                |            | dBc/Hz      |
| <b>Output Voltage</b><br>Voh<br>Vol<br>RI = 50Ω – (Vdd - 2V)  | Vdd - 1.025 |                                     | Vdd - 1.62 | V<br>V      |
| <b>Rise / Fall Time</b><br>Clock Rise (tr)<br>Clock Fall (tf) |             | 0.6<br>0.5                          | 1.5<br>1.5 | nS<br>nS    |
| <b>Vcon Modulation BW</b>                                     | 25          | $0V \leq V_{con} \leq 3.3V$<br>-3dB |            | KHz         |
| <b>Pull Range</b>   | -190        |                                     | 190        | ppm         |
| <b>Linearity</b>  | 5           |                                     | 10         | %           |
| <b>Frequency Tuning Range</b>                                 |             | 115                                 |            | ppm/V       |

**Output Level:** PECL

**Packaging:** Tape & Reel

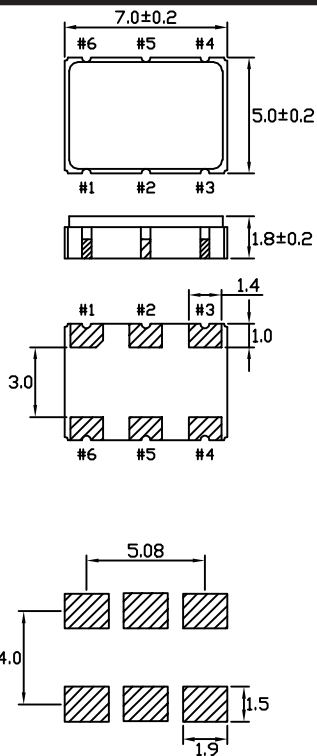
Notes: Extended exposure exceeding maximum ratings may cause permanent damage and affect reliability. Operation outside of specifications is not supported.

**Cardinal Components, Inc., 155 Rt. 46 W, Wayne, NJ. 07470 TEL: (973)785-1333 FAX: (973)785-0053**  
<http://www.cardinalxtal.com> E-Mail: [cardinal@cardinalxtal.com](mailto:cardinal@cardinalxtal.com)

Specifications subject to change without notice. Check website for latest updates



C3VFSE

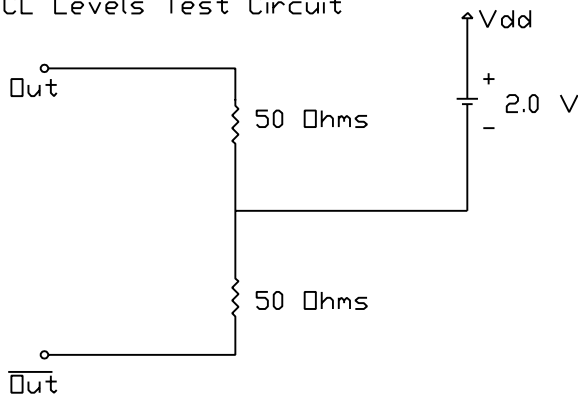


| PIN | FUNCTION             |
|-----|----------------------|
| 1   | V <sub>CONTROL</sub> |
| 2   | OE                   |
| 3   | GND                  |
| 4   | PECL +               |
| 5   | PECL -               |
| 6   | V <sub>dd</sub>      |

DIMENSIONS ARE IN MM

LEVELS TEST CIRCUIT

PECL Levels Test Circuit



OUTPUT SKEW

PECL Output Skew

