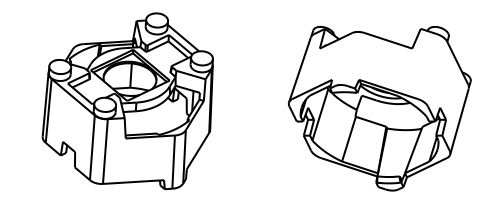
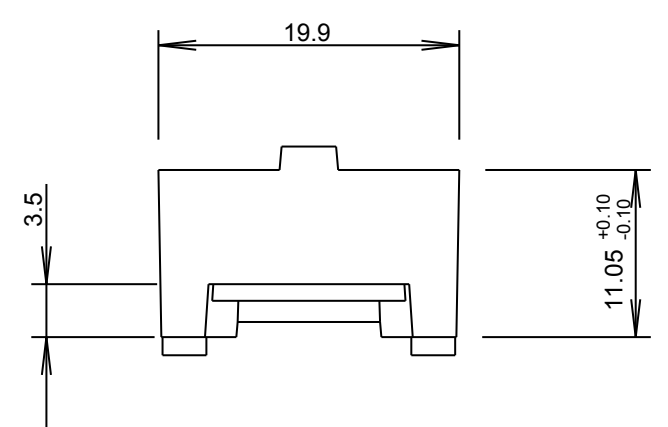
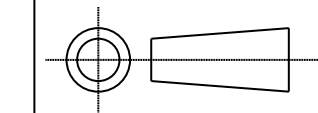


CUSTOMER DRAWING

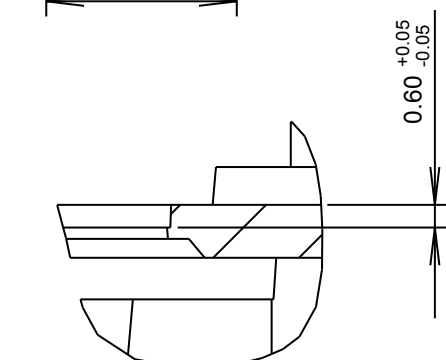
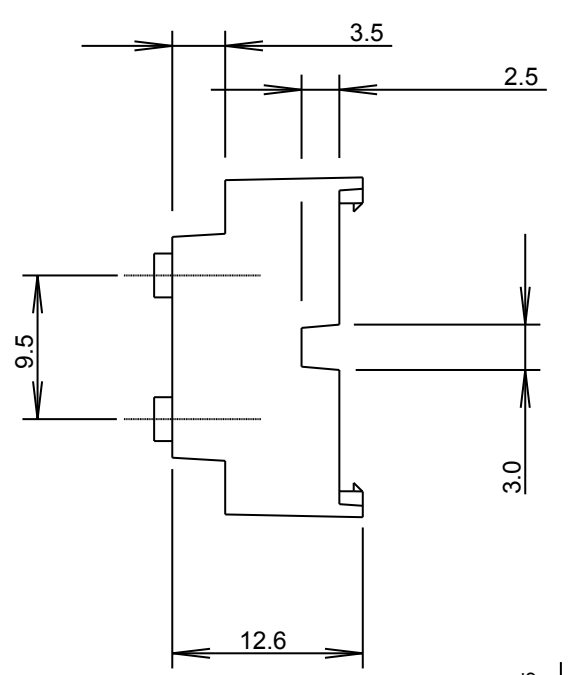
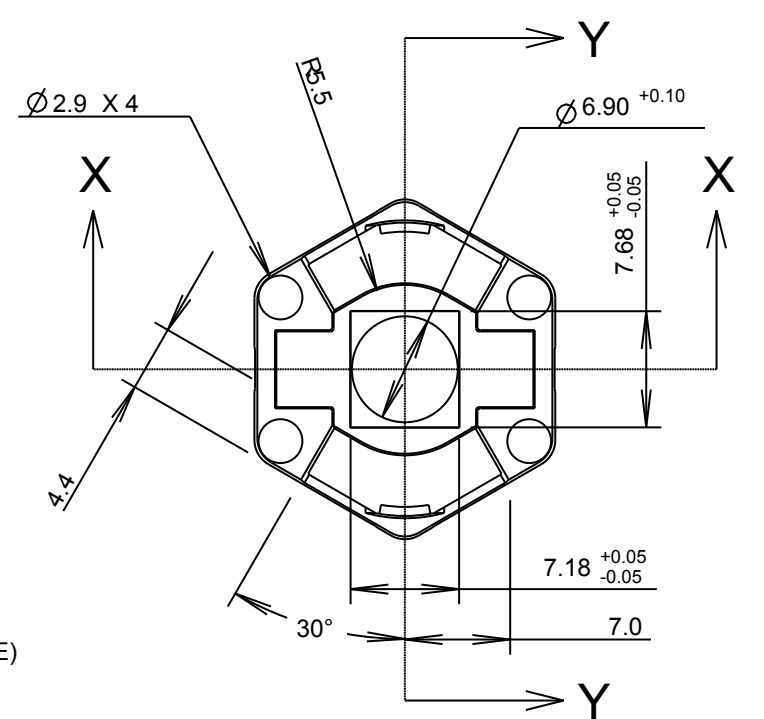
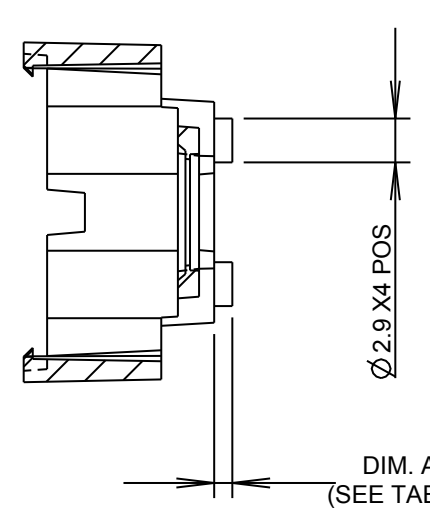
©2008 CARCLO
ALL DIMENSIONS IN mm

ISS.	DATE	E.C.N.	DESCRIPTION
1	21-Aug-07		FIRST ISSUE
2	23-May-08	05/08/1222	LED HOLE DIAMETER INCREASED FROM 6.8 TO 6.9. POSN REF. 4D. RECTANGULAR RECESS ADDED 7.18 x 7.68. POSN REF. 4D.
3	17-Jul-08	07/08/1228	TWO LUGS REMOVED FROM UNDER SIDE. POSN. REF. D4



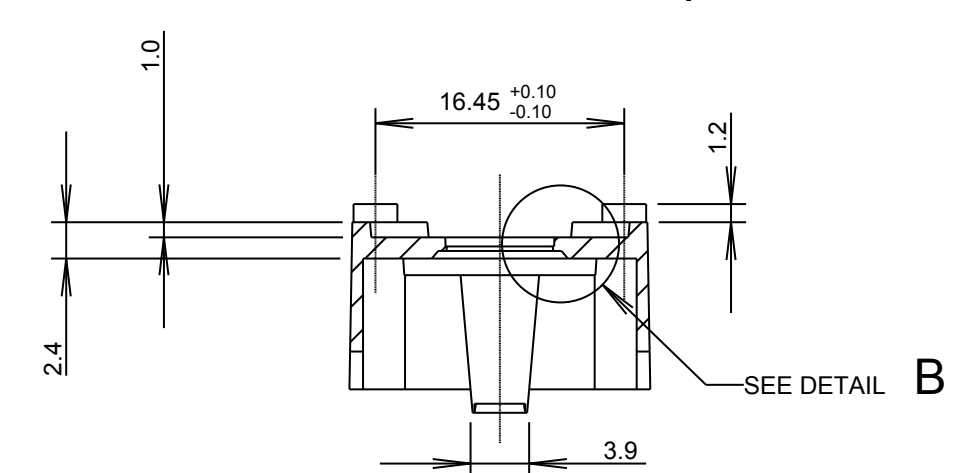
3D VIEWS
SCALE 1:1

SECTION Y-Y



DETAIL B
SCALE 5:1

DIM. A
(SEE TABLE)



SECTION X-X

PART No.	DIM. A	MATERIAL
10425	1.2	BLACK POLYCARBONATE
10426	1.2	CLEAR POLYCARBONATE
10427	1.2	WHITE POLYCARBONATE
10428	0.0	BLACK POLYCARBONATE
10429	0.0	CLEAR POLYCARBONATE
10430	0.0	WHITE POLYCARBONATE

CARCLO TECHNICAL PLASTICS (SLOUGH) LTD.
111 BUCKINGHAM AVE, SLOUGH
SL1 4PF, ENGLAND
TEL: +44 1753 575011 FAX: +44 1753 811359
email: design@coil.co.uk

GENERAL TOLERANCES (UNLESS STATED)

LINEAR	ANGULAR
X +/- 0.25	X +/- 1°
X.X +/- 0.1	X.X +/- 0.5°
X.XX +/- 0.05	X.XX +/- 0.1°

CUSTOMER

TITLE

20MM DIA LED OPTIC HOLDER
FOR CREE XR STAR BOARD

DRAWN **AJD** DATE **21-Aug-07**

CHK'D DATE

APP'D DATE

SCALE	COIL PART No.
2:1	SEE TABLE

SIZE	COIL DRG. No.	SHEET
A3	60489	1 OF 1