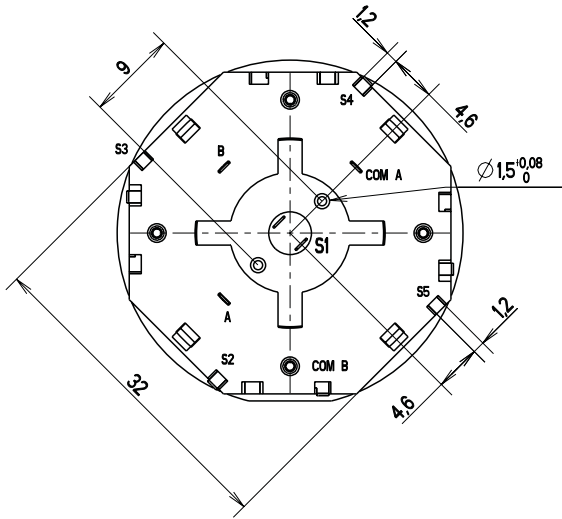
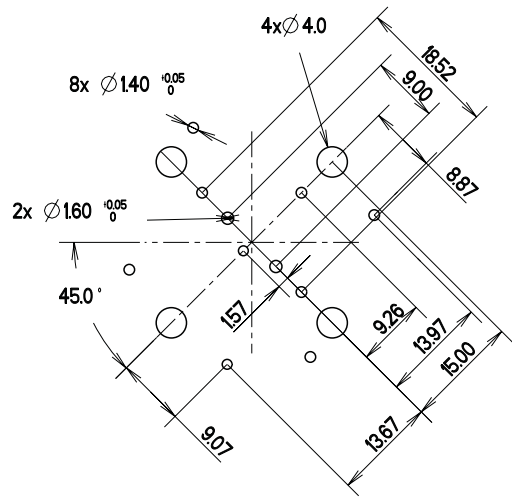


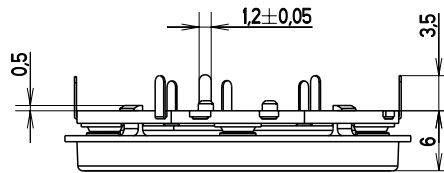
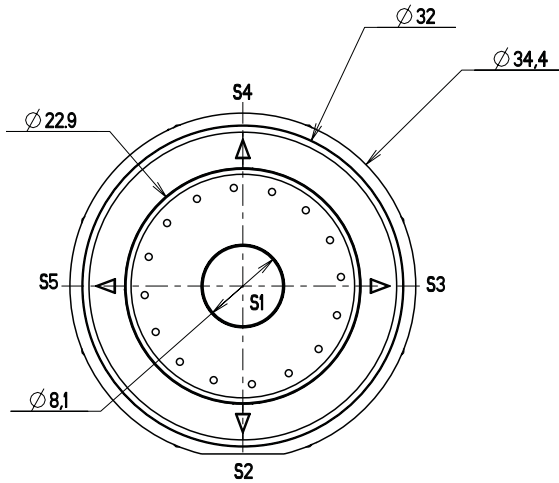
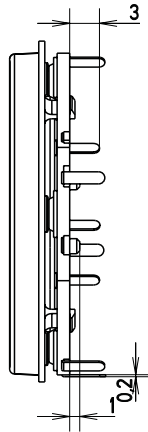
REV.	N° DCR	NATURE DE LA MODIFICATION	DATE	VISA
A	ECR-4981	Suppression reference 43 TB3 A00 FP	23/06/2010	L.B



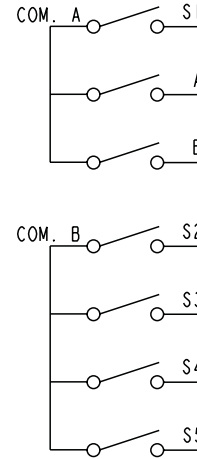
PCB LAYOUT



Reference	Designation
43 TB3 C00 FP	TSW B-3N-C LFS



ELECTRICAL FUNCTION

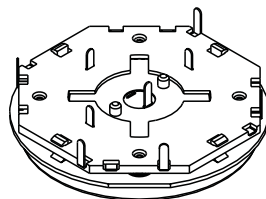
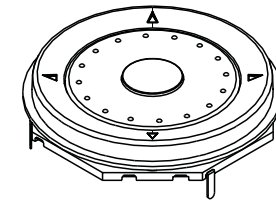


Rotational Output Waveform

ANGLE CONTACT (°)	-90	-60	-30	0	30	60	90
A-COM A ON/OFF	[Waveform]	[Waveform]	[Waveform]	[Waveform]	[Waveform]	[Waveform]	[Waveform]
B-COM A ON/OFF	[Waveform]	[Waveform]	[Waveform]	[Waveform]	[Waveform]	[Waveform]	[Waveform]

CW ← → CCW

Numbers of detent : 24
Pulse/Rotation : 12 pulse/360°



ECHELLE 1,500

MATERIAL / VOLUME	TREATMENT	PROTECTION
UNLESS OTHERWISE : - DIMENSIONS GIVEN BEFORE PROTECTION - BURRS AND SHARP EDGES DELETED	LINEAR TOLERANCE ± 0.4 ANGULAR TOLERANCE ± 1° SURFACE FINISH Ra	CRITICAL DIMENSIONS 0 SPC DIMENSIONS 0
CREATE BY JUILLE P DATE 07/09/09	MODIFICATION see revision table on the first sheet REPLACE FILENAME 43MTB001FP.KPLUBE FOLDER Dossier racine/dole_south.rd/zippy/bouton/produit	PART DESCRIPTION
CHECKED BY KUBAT L DATE .	SCALE 2,000	act and Scroll Wheel TYPE B
APPROVED BY Laurent Kabat DATE 2010.06.24 08:51:19 +02'00'	SIZE A3 SHEET 1 / 1	PART NUMBER CU 43 MTB 001 FP REV A