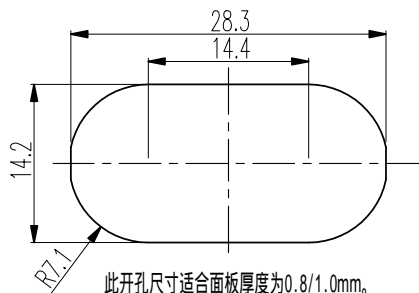
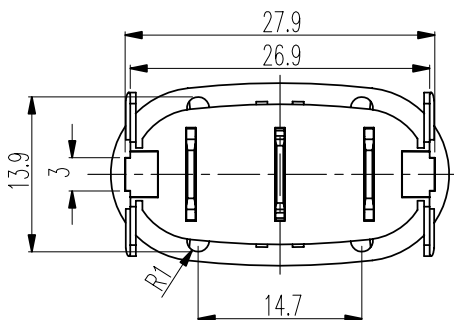
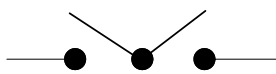


SECTION A-A



此开孔尺寸适合面板厚度为0.8/1.0mm.
Recommended hole size 0.8/1.0mm panel assembly.

安装孔 PIERCING PLAN



SPDT
ON-OFF-ON
电路示意图 Circuit

适用范围 Application areas:

编号	零件型号	颜色
1.	SW-13A65N-A01	White
2.	SW-13A65N-A01 BK	Black C
3.	SW-13A65N-A01 BI	Biscuit
4.	SW-13A65N-A01 AK	Almond

规格 Specifications

额定负荷 Ratings	6.5A 125 VAC
初期接触电阻 Initial Contact Resistance	100 mΩ Max.
绝缘电阻 Insulation Resistance	DC500_V 60±5_Sec. 100_MΩ Min.
抗电强度 Dielectric Voltage	AC1000_V(50~60HZ) 60±5_Sec.
操作力 Operating Force	ON OFF 250±100 gf OFF ON 700±250 gf
负荷寿命 Operating Life With Load	6,000 次 Cycles

序NO.	零件 PART	材料 MATERIAL	数量 QTY	备注 REMARKS
09	中间端子 MIDDLE TERMINAL	C2680R	1	Ag PLATED
08	接触片 CONTACT PLATE	C2680R	1	Ag PLATED
07	滑块 SLIDER	PA	1	BLACK C
06	弹簧 SPRING	SUS	1	NATURAL
05	侧端子 SIDE TERMINAL	C2680R	2	Ag PLATED
04	银接点 Ag CONTACT	AgNi10/Cu	4	NATURAL
03	胶盖 COVER	PA	1	BLACK C
02	胶壳 HOUSING	PA	1	
01	胶柄 KNOB	PA	1	

标号 REV	内容 DESCRIPTION	签名 SIGN.	日期 DATE
DWG NO. ITEM3013			

TOLERANCES UNLESS OTHERWISE SPEC.		TITLE	ROCKER SWITCHES		ITEM NO	SW-13A65N-A01		
UNDER 1	± 0.10	DRAWN	廖铁军	2010-11-26	VERSION	A01	PAGE 1	OF 1
1 - 10	± 0.30	REVIEWED	方勇	2010-11-26	SCALE		UNIT	mm
OVER 10	± 0.50	APPROVED	马建和	2010-11-26	PROJECTION			



高铭电子(惠州)有限公司
Comax Electronics(Huizhou)Co.,Ltd.