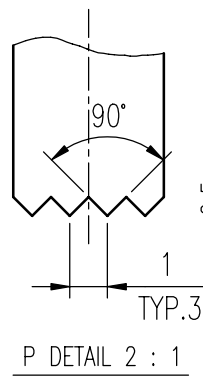
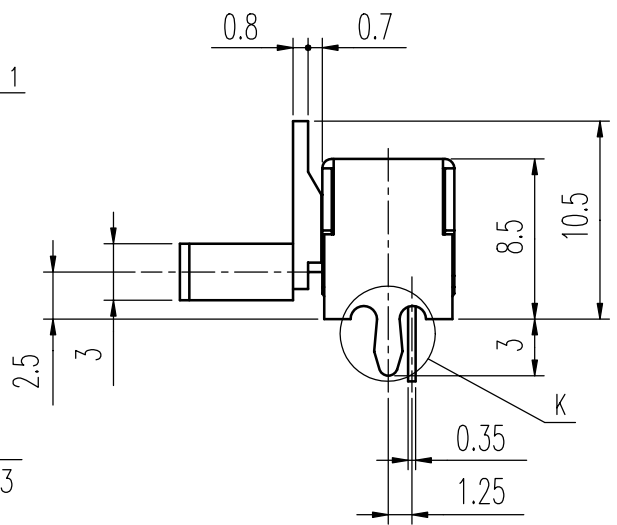


K DETAIL 2 : 1

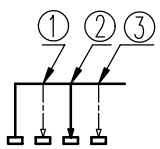


P DETAIL 2 : 1

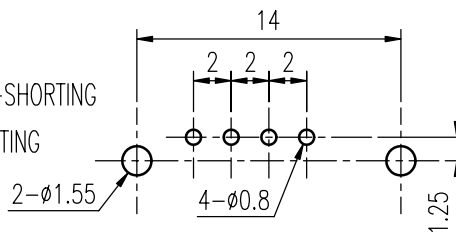


1P - 3T

TIMING :



① → ② NON-SHORTING  
② → ③ SHORTING



安装孔 PIERCING PLAN

规格 Specifications

额定负荷 Ratings	DC 30 v 0.3 A
初期接触电阻 Initial Contact Resistance	20 mΩ Max.
绝缘电阻 Insulation Resistance	DC 500V 60 Sec. 500MΩ Min.
抗电强度 Dielectric Voltage	AC 500 V(50~60HZ) 60 Sec.
操作力 Operating Force (gf)	200±100, 250±100
机械寿命 Operating Life Without Load	10,000 次 Cycles

示意图 SCHEMATIC

序NO.	零件 PART	材料 MATERIAL	数量 QTY	颜色 REMARKS	备注 REMARKS	标号 REV	内容 DESCRIPTION	签名 SIGN.	日期 DATE
07	红胶 RED MUCUS	EPOXY RESIN	—	RED	—				
06	端子 TERMINAL	C2680R	4	WHITE	Ag PLATED				
05	基板 TERMINAL BASE	PHENOL RESIN	1	YELLOW	—				
04	接触片 CONTACT	C5210R	1	YELLOW/WHITE	Ag CLAD				
03	弹片 SPRING PLATE	SUS	1	WHITE	—				
02	铁壳 FRAME	SPCC	1	SILVERY WHITE	Sn PLATED				
01	胶柄 KNOB	POM F30-03	1	LIGHT GRAY	—				
						DWG NO.	ITEM2560-01		

TOLERANCES UNLESS OTHERWISE SPEC.		TITLE	SIDE KNOB SLIDE SWITCH		ITEM NO	SK-13D26-G 6.5 K GY		
UNDER 1	± 0.10	DRAWN	张渠江	2008-10-09	VERSION	A01	PAGE	1 OF 1
1 - 10	± 0.30	REVIEWED	王光云	2008-10-09	SCALE		UNIT	mm
OVER 10	± 0.50	APPROVED	程先金	2008-10-09	PROJECTION			

COMAX

高铭电子(惠州)有限公司  
Comax Electronics(Huizhou)Co.,Ltd.