

**NEW!**

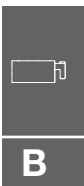
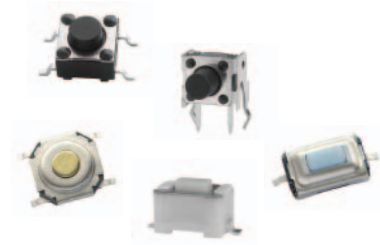
# RS Series Tact Switches

## Features/Benefits

- Broad range of products
- Extra long life cycles available
- Variety of operating forces and heights
- Thru-hole and SMT options
- Custom design available

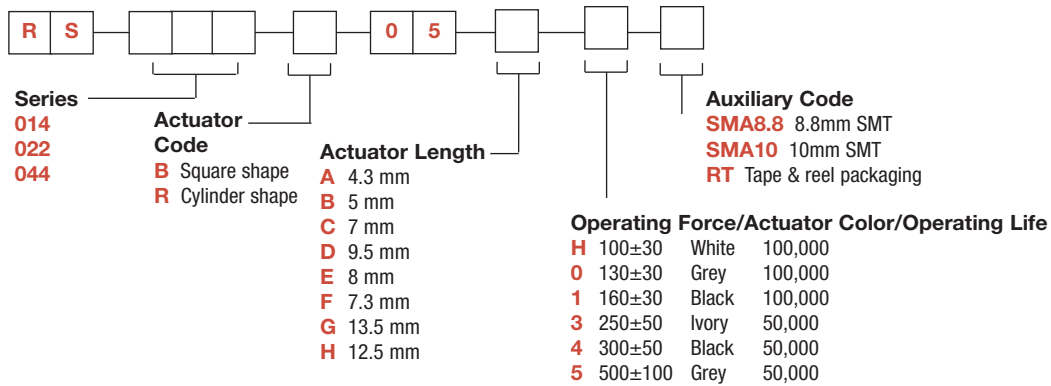
## Typical Applications

- Consumer electronics
- Computer peripherals
- Household appliances
- Audio & visual equipment
- Automotive



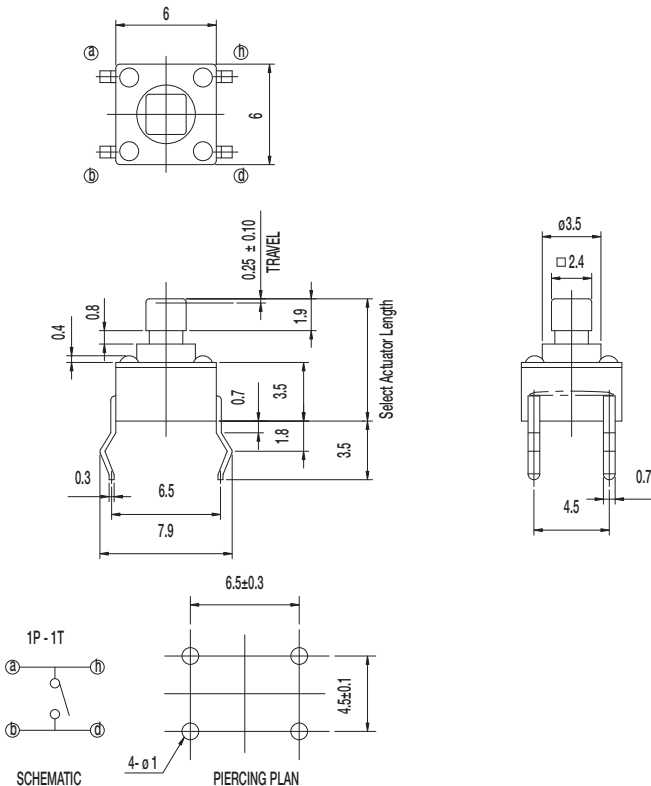
## How To Order

Our easy build-a-switch concept allows you to mix and match options to create the switch you need. To order, select desired option from each category and place it in the appropriate box.



Tactile Switches

## RS-014B05 Square Shape Actuator



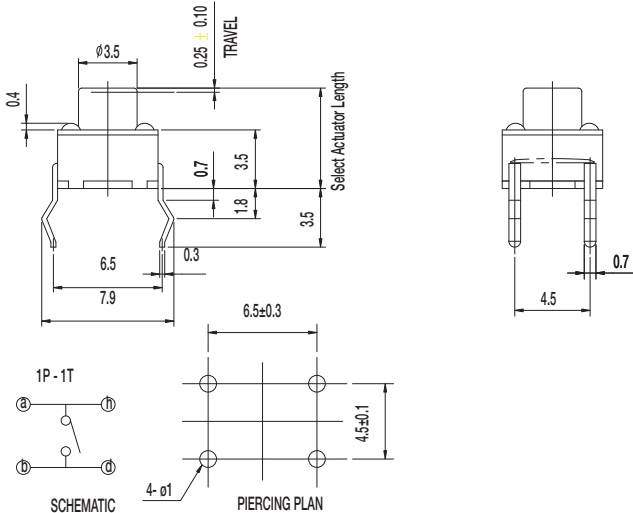
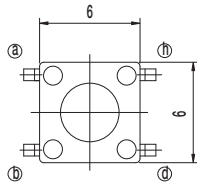
Dimensions are shown: mm  
 Specifications and dimensions subject to change

# RS Series Tact Switches

**NEW!**

## RS-014R05 Cylinder Shape Actuator

Tactile Switches



### Specifications

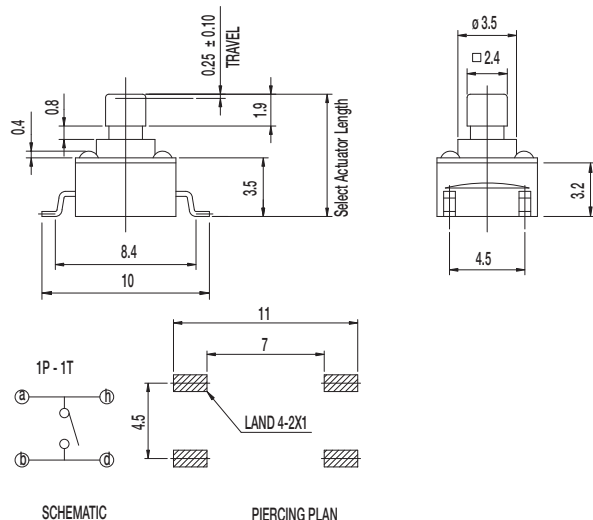
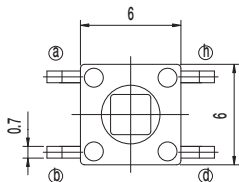
CONTACT RATING: 50mA @ 12 VDC  
 INITIAL CONTACT RESISTANCE: 100 m ohms max.  
 INSULATION RESISTANCE: 100 M ohms min.  
 DIELECTRIC STRENGTH: 250 V AC (50-60 Hz) between open terminals and between the frame and terminal.  
 RELEASING FORCE: 20gf min. (0.196N min.)  
 TRAVEL: 0.25 ± 0.10 mm  
 OPERATING TEMPERATURE: -20°C to 70°C

### Materials

KNOB: PA  
 COVER: SPCC  
 HOUSING: PA  
 SPRING PLATE: Silver clad  
 TERMINAL: Silver plated

**NOTE:** Specifications and materials listed above are for switches with standard options. For information on specific and custom switches, please contact Customer Service.

## RS-014B05 SMA Square Shape Actuator SMT



### Specifications

CONTACT RATING: 50mA @ 12 VDC  
 INITIAL CONTACT RESISTANCE: 100 m ohms max.  
 INSULATION RESISTANCE: 100 M ohms min.  
 DIELECTRIC STRENGTH: 250 V AC (50-60 Hz) between open terminals and between the frame and terminal.  
 RELEASING FORCE: 20gf min. (0.2N min.)  
 TRAVEL: 0.25 ± 0.10 mm  
 OPERATING TEMPERATURE: -20°C to 70°C

### Materials

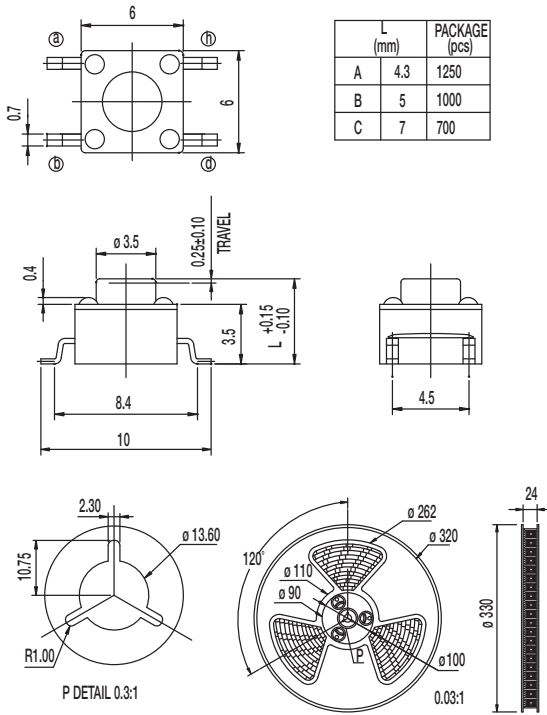
KNOB: PA  
 COVER: SPTE  
 HOUSING: PA  
 SPRING PLATE: Silver clad  
 TERMINAL: Silver plated

**NOTE:** Specifications and materials listed above are for switches with standard options. For information on specific and custom switches, please contact Customer Service.

**NEW!**

# RS Series Tact Switches

## RS-014R05 SMA RT Cylinder Shape Acuator SMT



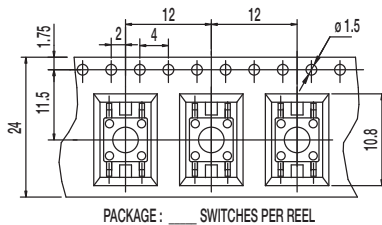
### Specifications

CONTACT RATING: 50mA @ 12 VDC  
 INITIAL CONTACT RESISTANCE: 100 m ohms max.  
 INSULATION RESISTANCE: 100 M ohms min.  
 DIELECTRIC STRENGTH: 250 V AC (50-60 Hz) between open terminals and between the frame and terminal.  
 OPERATING LIFE: 100,000 cycles with load  
 OPERATING FORCE: 160 ± 30 gf  
 RELEASING FORCE: 20gf min. (0.196N min.)  
 TRAVEL: 0.25 ± 0.10 mm  
 OPERATING TEMPERATURE: -20°C to 70°C

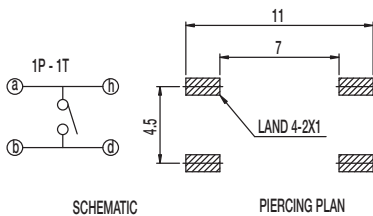
### Materials

KNOB: PA  
 COVER: SPTE  
 HOUSING: PA  
 SPRING PLATE: Silver clad  
 TERMINAL: Silver plated

**NOTE:** Specifications and materials listed above are for switches with standard options. For information on specific and custom switches, please contact Customer Service.



PACKAGE: \_\_\_ SWITCHES PER REEL

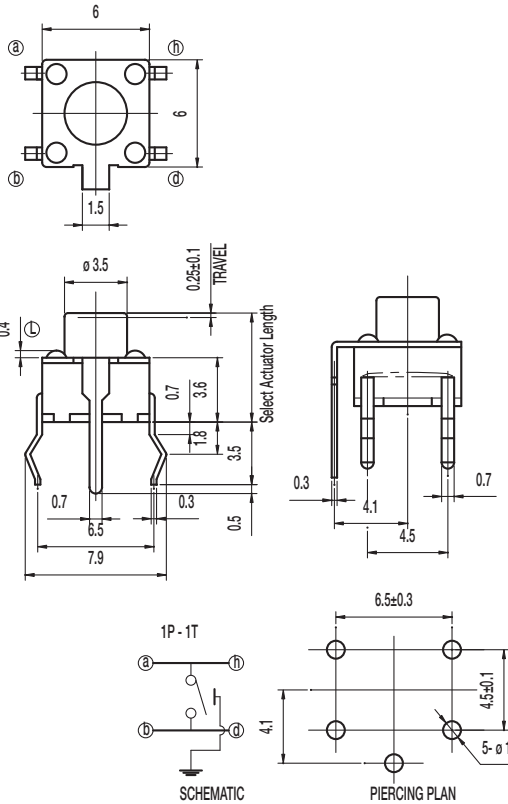


**B**  
Tactile Switches

# RS Series Tact Switches

**NEW!**

## RS-044R05 Cylinder Shape Actuator THT



### Specifications

CONTACT RATING: 50mA @ 12 VDC  
 INITIAL CONTACT RESISTANCE: 100 m ohms max.  
 INSULATION RESISTANCE: 100 M ohms min.  
 DIELECTRIC STRENGTH: 250 V AC (50-60 Hz) between open terminals and between the frame and terminal.  
 RELEASING FORCE: 20gf min. (0.2N min.)  
 TRAVEL:  $0.25 \pm 0.10$  mm  
 OPERATING TEMPERATURE: -20°C to 70°C

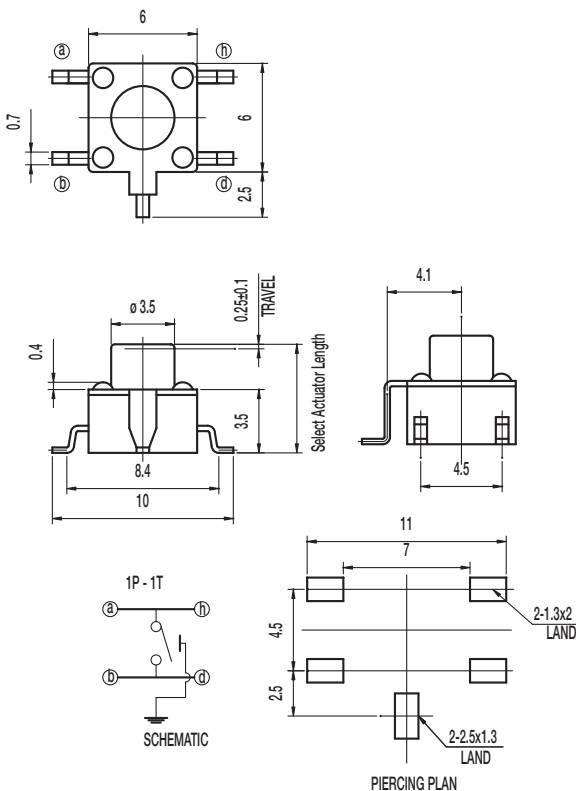
### Materials

KNOB: PBT  
 COVER: SPTE  
 HOUSING: PBT  
 SPRING PLATE: Silver clad  
 TERMINAL: Silver plated

**NOTE:** Specifications and materials listed above are for switches with standard options. For information on specific and custom switches, please contact Customer Service.

Tactile Switches

## RS-044R05 SMA Cylinder Shape Actuator SMT



### Specifications

CONTACT RATING: 50mA @ 12 VDC  
 INITIAL CONTACT RESISTANCE: 100 m ohms max.  
 INSULATION RESISTANCE: 100 M ohms min.  
 DIELECTRIC STRENGTH: 250 V AC (50-60 Hz) between open terminals and between the frame and terminal.  
 RELEASING FORCE: 20gf min. (0.2N min.)  
 TRAVEL:  $0.25 \pm 0.10$  mm  
 OPERATING TEMPERATURE: -20°C to 70°C

### Materials

KNOB: PA  
 COVER: SPTE  
 HOUSING: PA  
 SPRING PLATE: Silver clad  
 TERMINAL: Silver plated

**NOTE:** Specifications and materials listed above are for switches with standard options. For information on specific and custom switches, please contact Customer Service.

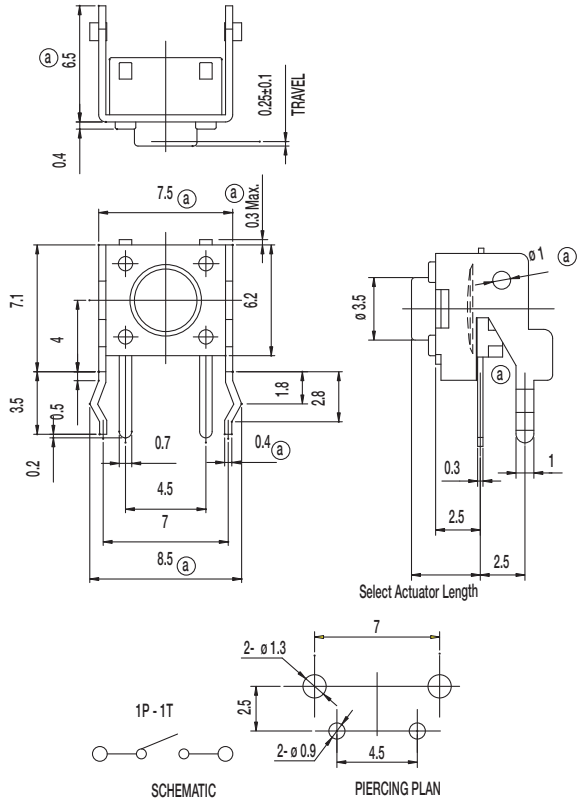


Dimensions are shown: mm  
 Specifications and dimensions subject to change

**NEW!**

# RS Series Tact Switches

## RS-022R05



### Specifications

CONTACT RATING: 50mA @ 12 VDC  
INITIAL CONTACT RESISTANCE: 100 m ohms max.  
INSULATION RESISTANCE: 100 M ohms min.  
DIELECTRIC STRENGTH: 250 V AC (50-60 Hz) between open terminals and between the frame and terminal.  
RELEASING FORCE: 20gf min. (0.196N min.)  
TRAVEL: 0.25 ± 0.10 mm  
OPERATING TEMPERATURE: -20°C to 80°C

### Materials

KNOB: PA  
COVER: SPTE  
HOUSING: PA  
SPRING PLATE: Silver clad  
TERMINAL: Silver plated

**NOTE:** Specifications and materials listed above are for switches with standard options. For information on specific and custom switches, please contact Customer Service.

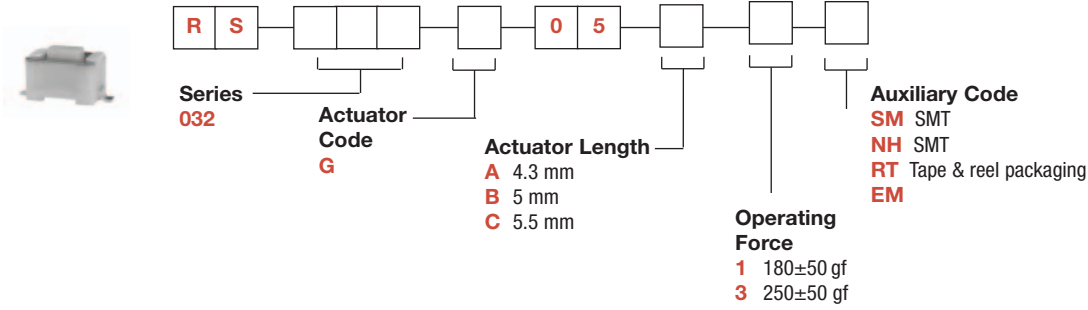


**B**

**Tactile Switches**

# RS 032 Series Tact Switches

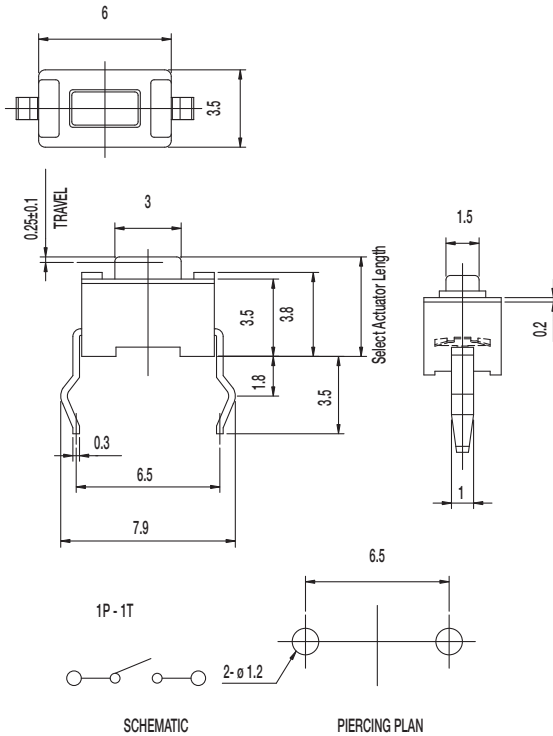
**NEW!**



Tactile Switches

B

## RS-032G05



### Specifications

CONTACT RATING: 50mA @ 12 VDC  
 INITIAL CONTACT RESISTANCE: 100 m ohms max.  
 INSULATION RESISTANCE: 100 M ohms min.  
 DIELECTRIC STRENGTH: 250 V AC (50-60 Hz) between open terminals and between the frame and terminal.  
 RELEASING FORCE: 20gf min. (0.196N min.)  
 TRAVEL: 0.25 ± 0.10 mm  
 OPERATING TEMPERATURE: -20°C to 70°C

### Materials

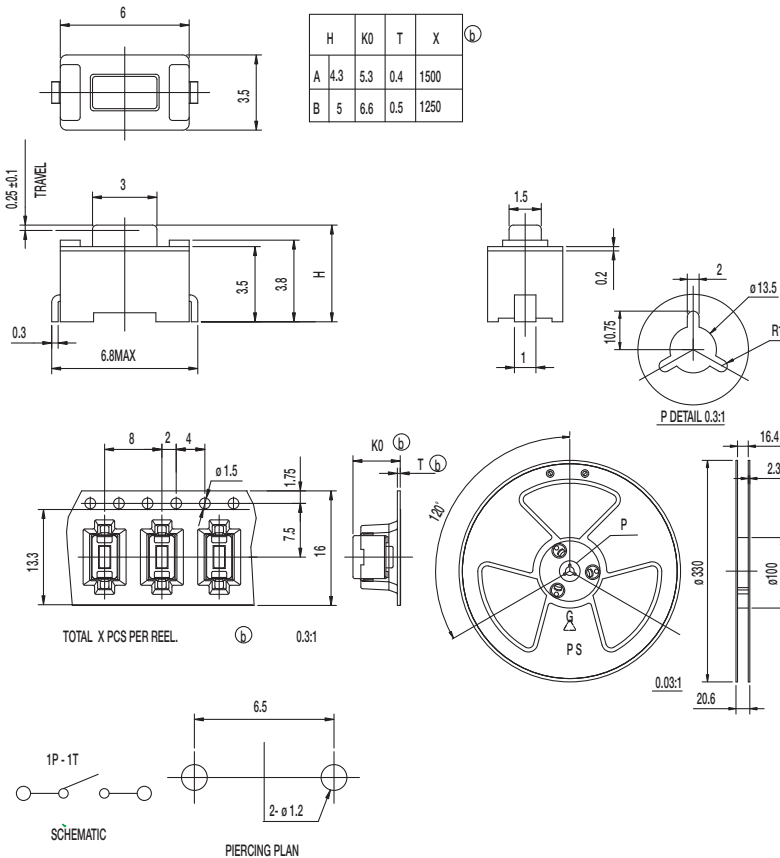
KNOB: PA46  
 COVER: SUS  
 HOUSING: PA46  
 SPRING PLATE: Silver clad  
 TERMINAL: Silver plated

**NOTE:** Specifications and materials listed above are for switches with standard options. For information on specific and custom switches, please contact Customer Service.

**NEW!**

# RS Series Tact Switches

## RS-032G05 NH RT



### Specifications

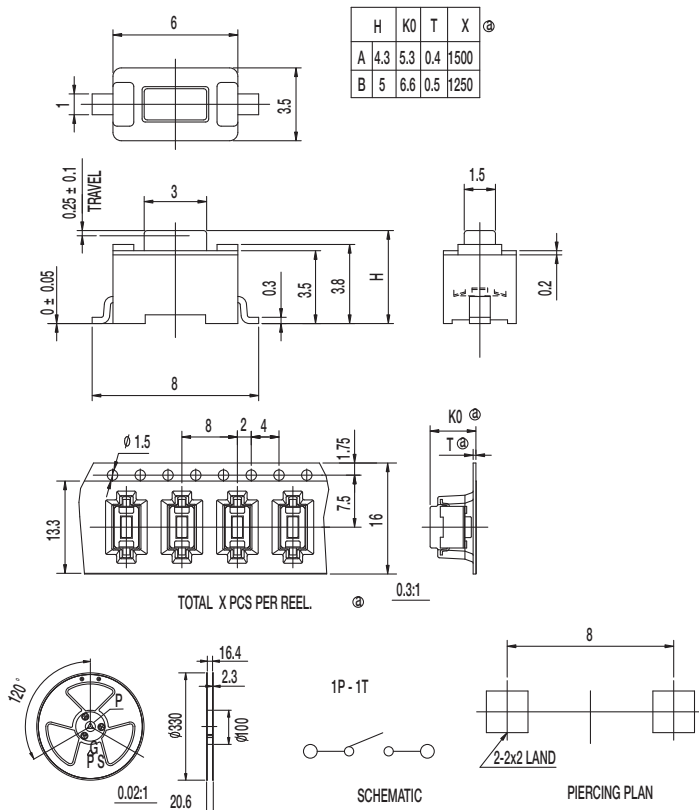
CONTACT RATING: 50mA @ 12 VDC  
 INITIAL CONTACT RESISTANCE: 100 m ohms max.  
 INSULATION RESISTANCE: 100 M ohms min.  
 DIELECTRIC STRENGTH: 250 V AC (50-60 Hz) between open terminals and between the frame and terminal.  
 OPERATING LIFE: 30,000 cycles with load  
 OPERATING FORCE: 180 ± 50gf  
 RELEASING FORCE: 20gf min. (0.2N min.)  
 TRAVEL: 0.25 ± 0.10 mm  
 OPERATING TEMPERATURE: -20°C to 70°C

### Materials

KNOB: PA  
 COVER: SUS  
 HOUSING: PA  
 SPRING PLATE: Silver clad  
 TERMINAL: Silver plated

**NOTE:** Specifications and materials listed above are for switches with standard options. For information on specific and custom switches, please contact Customer Service.

## RS-032G05 SM RT



### Specifications

CONTACT RATING: 50mA @ 12 VDC  
 INITIAL CONTACT RESISTANCE: 100 m ohms max.  
 INSULATION RESISTANCE: 100 M ohms min.  
 DIELECTRIC STRENGTH: 250 V AC (50-60 Hz) between open terminals and between the frame and terminal.  
 OPERATING LIFE: 30,000 cycles with load  
 OPERATING FORCE: 180 ± 50gf  
 RELEASING FORCE: 20gf min. (0.2N min.)  
 TRAVEL: 0.25 ± 0.10 mm  
 OPERATING TEMPERATURE: -20°C to 70°C

### Materials

KNOB: PA  
 COVER: SUS  
 HOUSING: PA  
 SPRING PLATE: Silver clad  
 TERMINAL: Silver plated

**NOTE:** Specifications and materials listed above are for switches with standard options. For information on specific and custom switches, please contact Customer Service.



Dimensions are shown: mm  
 Specifications and dimensions subject to change

**B**

Tactile Switches

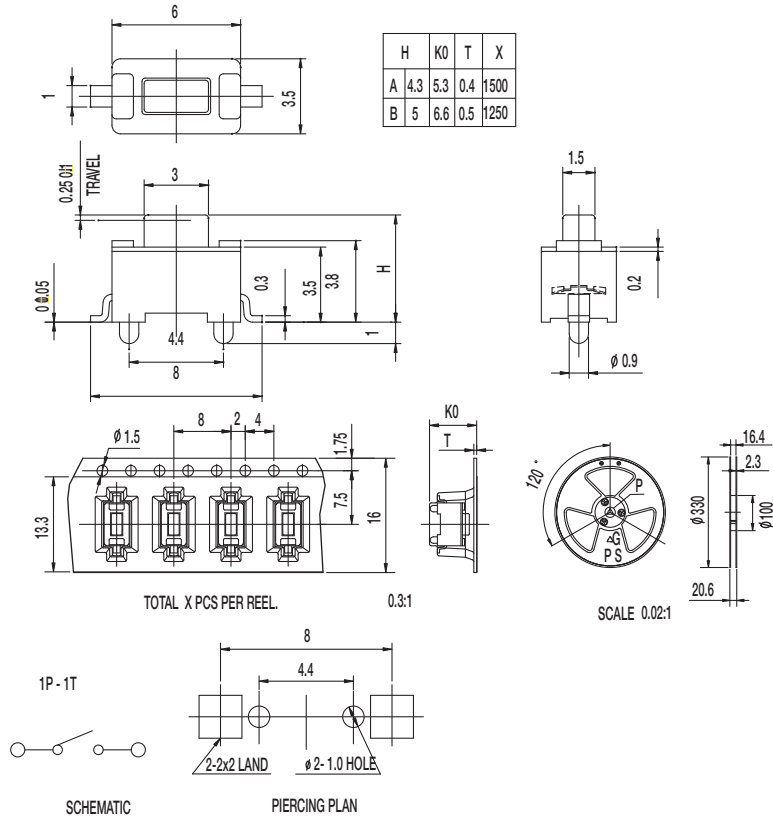
# RS Series Tact Switches

**NEW!**

## RS-032G05 SM EM RT

Tactile Switches

B



### Specifications

CONTACT RATING: 50mA @ 12 VDC  
 INITIAL CONTACT RESISTANCE: 100 m ohms max.  
 INSULATION RESISTANCE: 100 M ohms min.  
 DIELECTRIC STRENGTH: 250 V AC (50-60 Hz) between open terminals and between the frame and terminal.  
 OPERATING LIFE: 30,000 cycles with load  
 OPERATING FORCE: 180  $\pm$  50gf  
 RELEASING FORCE: 20gf min. (0.2N min.)  
 TRAVEL: 0.25  $\pm$  0.10 mm  
 OPERATING TEMPERATURE: -20°C to 70°C

### Materials

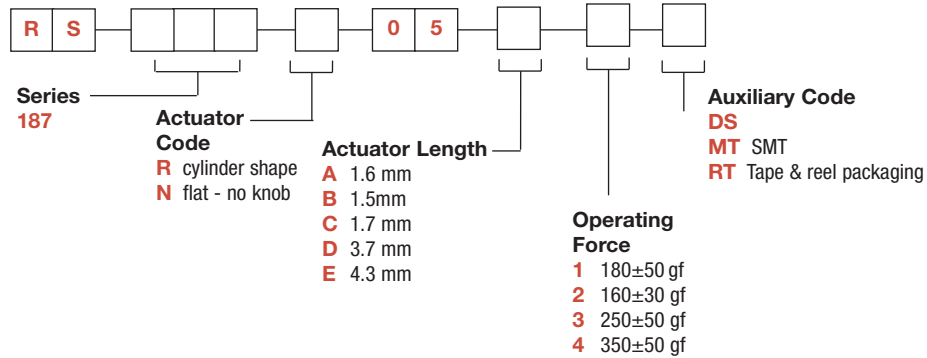
KNOB: PA  
 COVER: SUS  
 HOUSING: PA  
 SPRING PLATE: Silver clad  
 TERMINAL: Silver plated

**NOTE:** Specifications and materials listed above are for switches with standard options. For information on specific and custom switches, please contact Customer Service.



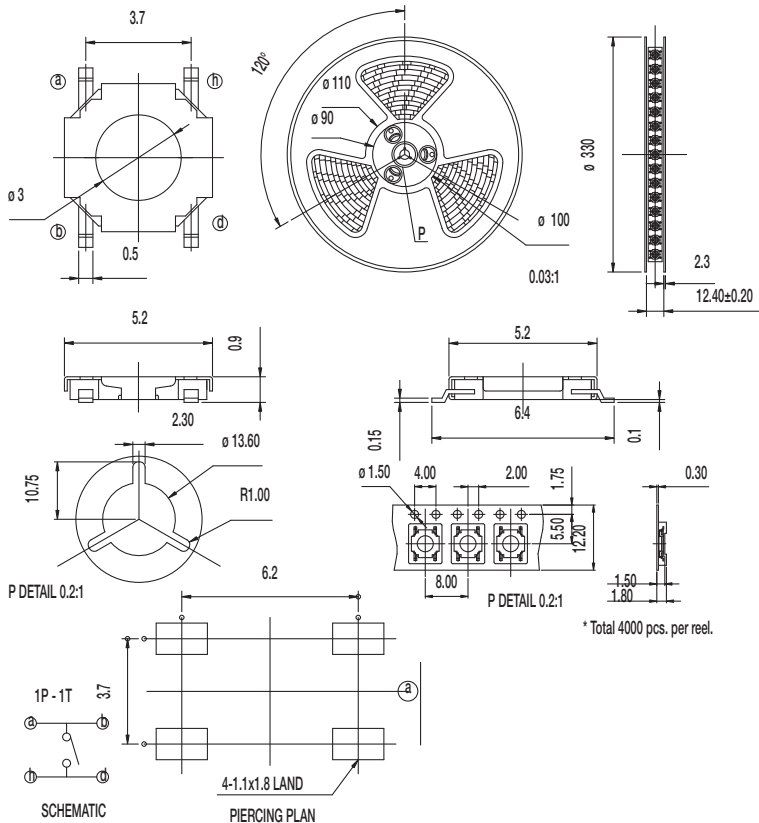
NEW!

# RS Series Tact Switches



Tactile Switches

## RS-187N05 DS RT



### Specifications

CONTACT RATING: 50mA @ 12 VDC  
INITIAL CONTACT RESISTANCE: 100 m ohms max.  
INSULATION RESISTANCE: 100 M ohms min.  
DIELECTRIC STRENGTH: 250 V AC (50-60 Hz) between open terminals and between the frame and terminal.  
OPERATING LIFE: 100,000 cycles with load  
OPERATING FORCE: 180 ± 50gf (1.76 ± 0.49N)  
RELEASING FORCE: 20gf min. (0.2N min.)  
TRAVEL: 0.25 ± 0.10 mm  
OPERATING TEMPERATURE: -20°C to 70°C

### Materials

COVER: SUS  
HOUSING: PA  
SPRING PLATE: Silver clad  
TERMINAL: Silver plated

**NOTE:** Specifications and materials listed above are for switches with standard options. For information on specific and custom switches, please contact Customer Service.

\* Total 4000 pcs. per reel.



Dimensions are shown: mm  
Specifications and dimensions subject to change

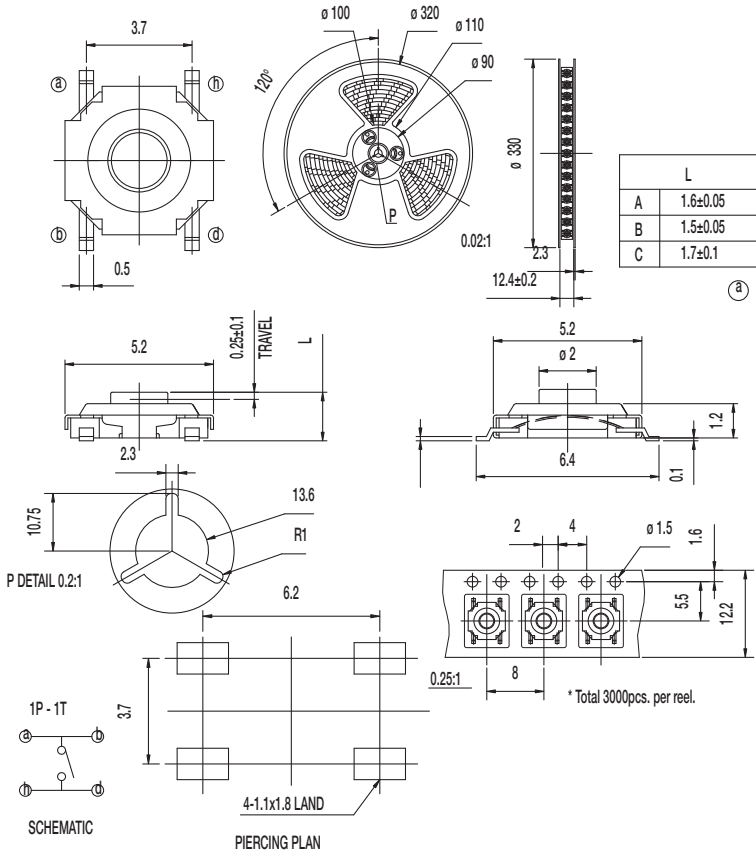
# RS Series Tact Switches

**NEW!**

**B**

**Tactile Switches**

## RS-187R05 DS MT RT



### Specifications

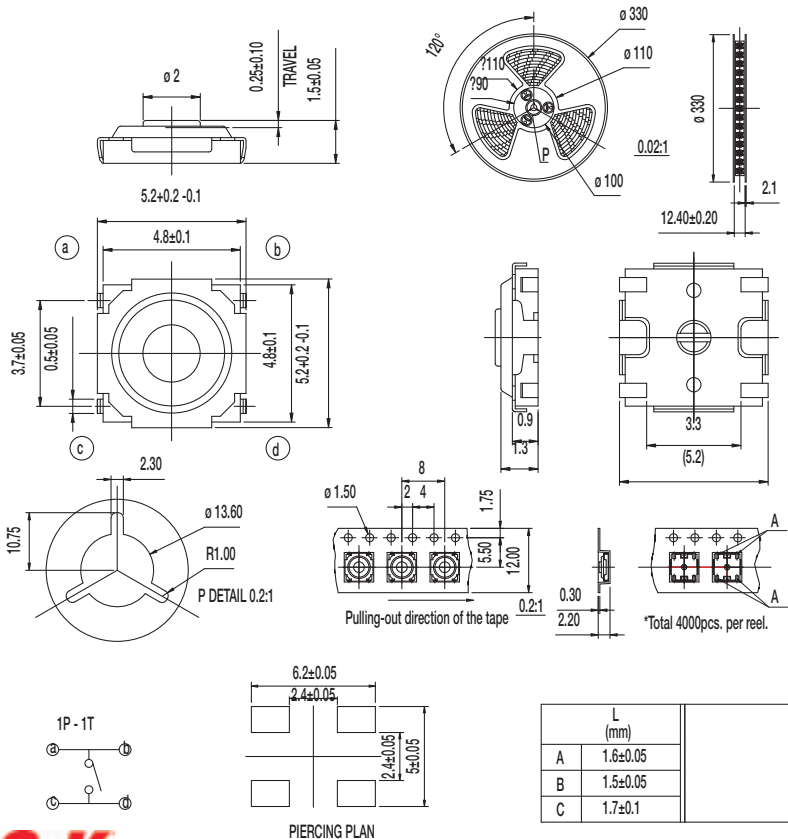
CONTACT RATING: 50mA @ 12 VDC  
 INITIAL CONTACT RESISTANCE: 100 m ohms max.  
 INSULATION RESISTANCE: 100 M ohms min.  
 DIELECTRIC STRENGTH: 250 V AC (50-60 Hz) between open terminals and between the frame and terminal.  
 OPERATING LIFE: 50,000 cycles with load  
 OPERATING FORCE: 180 ± 50gf (1.76 ± 0.49N)  
 RELEASING FORCE: 20gf min. (0.2N min.)  
 TRAVEL: 0.25 ± 0.10 mm  
 OPERATING TEMPERATURE: -20°C to 70°C

### Materials

COVER: SUS  
 HOUSING: PA  
 SPRING PLATE: Silver clad  
 TERMINAL: Silver plated

**NOTE:** Specifications and materials listed above are for switches with standard options. For information on specific and custom switches, please contact Customer Service.

## RS-187R05B DS-MT U RT



### Specifications

CONTACT RATING: 50mA @ 12 VDC  
 INITIAL CONTACT RESISTANCE: 100 m ohms max.  
 INSULATION RESISTANCE: 100 M ohms min.  
 DIELECTRIC STRENGTH: 250 V AC (50-60 Hz) between open terminals and between the frame and terminal.  
 OPERATING LIFE: 50,000 cycles with load  
 OPERATING FORCE: 180 ± 50gf (1.764 ± 0.49N)  
 RELEASING FORCE: 20gf min. (0.2N min.)  
 TRAVEL: 0.25 ± 0.10 mm  
 OPERATING TEMPERATURE: -20°C to 70°C

### Materials

KNOB: C2680R  
 COVER: SUS  
 HOUSING: PA  
 SPRING PLATE: Silver clad  
 TERMINAL: Silver plated

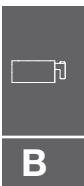
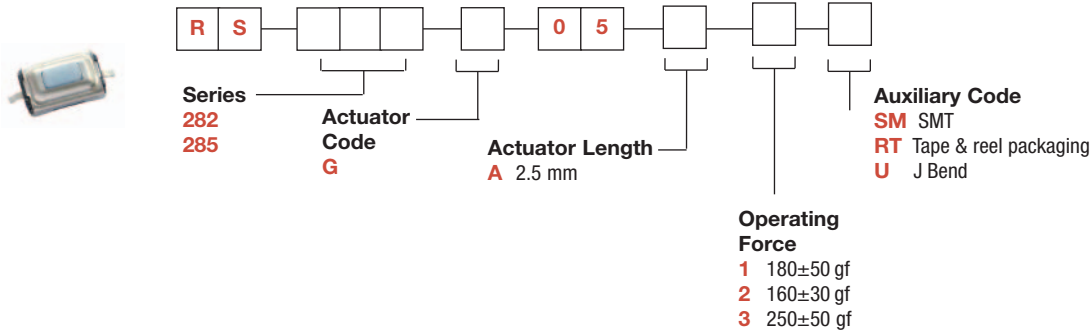
**NOTE:** Specifications and materials listed above are for switches with standard options. For information on specific and custom switches, please contact Customer Service.



Dimensions are shown: mm  
 Specifications and dimensions subject to change

**NEW!**

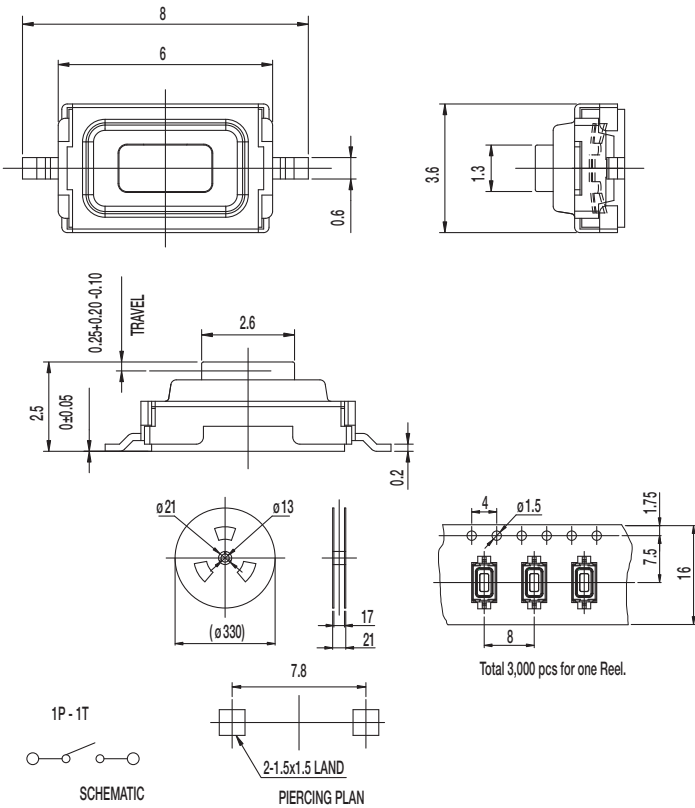
# RS Series Tact Switches



**B**

**Tactile Switches**

## RS-282G05 SM RT



### Specifications

- CONTACT RATING: 50mA @ 12 VDC
- INITIAL CONTACT RESISTANCE: 100 m ohms max.
- INSULATION RESISTANCE: 100 M ohms min.
- DIELECTRIC STRENGTH: 250 V AC (50-60 Hz) between open terminals and between the frame and terminal.
- OPERATING LIFE: 50,000 cycles with load
- OPERATING FORCE: 250 ± 50gf
- RELEASING FORCE: 20gf min. (0.2N min.)
- TRAVEL: 0.25 ± 0.10 mm
- OPERATING TEMPERATURE: -20°C to 70°C

### Materials

- KNOB: PA
- COVER: SUS
- HOUSING: PA
- SPRING PLATE: Silver clad
- TERMINAL: Silver plated

**NOTE:** Specifications and materials listed above are for switches with standard options. For information on specific and custom switches, please contact Customer Service.



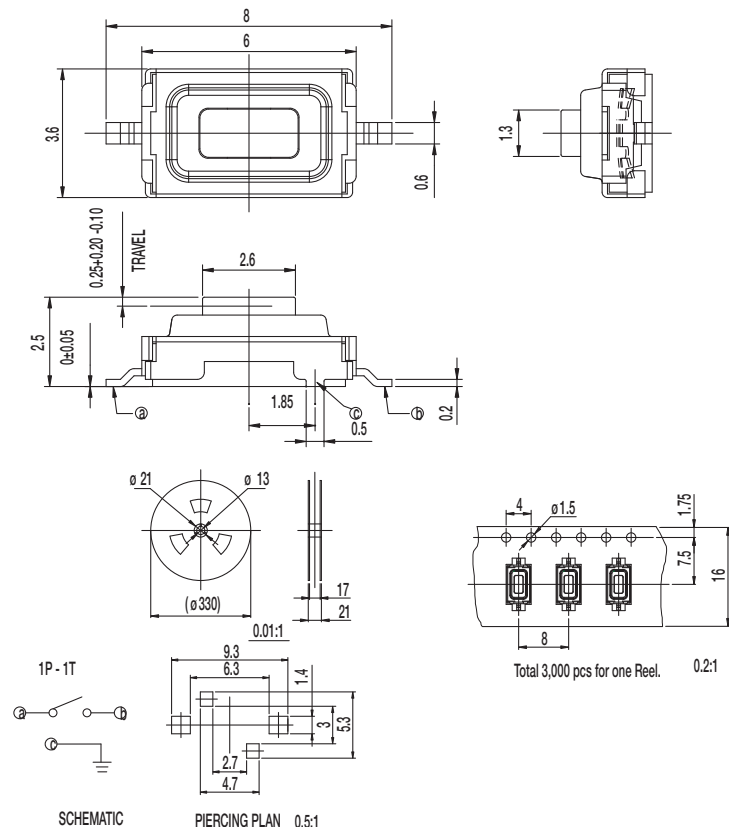
Dimensions are shown: mm  
Specifications and dimensions subject to change

# RS Series Tact Switches

**NEW!**

Tactile Switches

## RS-285G05 SM RT



### Specifications

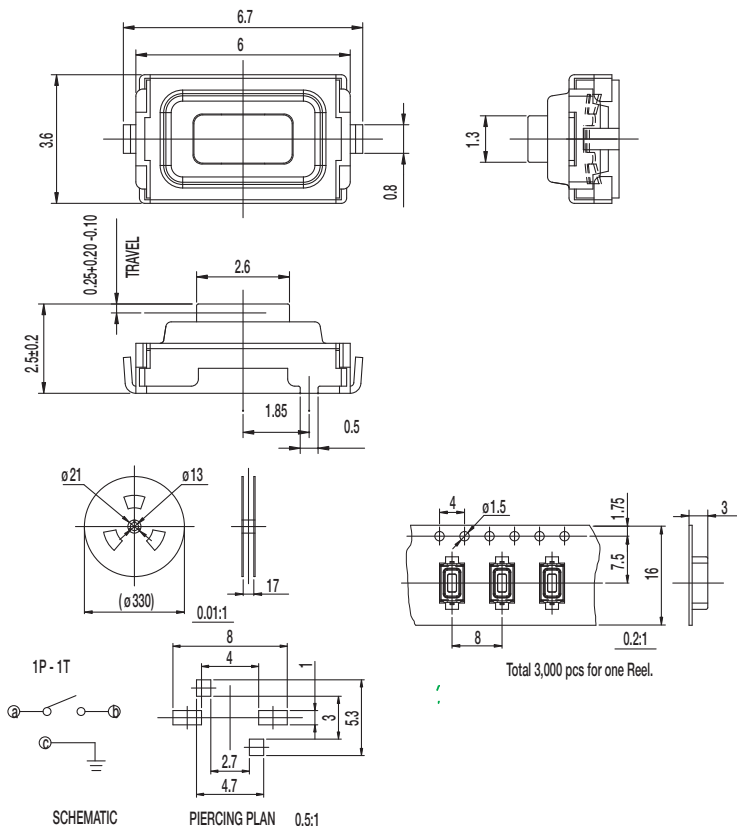
- CONTACT RATING: 50mA @ 12 VDC
- INITIAL CONTACT RESISTANCE: 100 m ohms max.
- INSULATION RESISTANCE: 100 M ohms min.
- DIELECTRIC STRENGTH: 250 V AC (50-60 Hz) between open terminals and between the frame and terminal.
- OPERATING LIFE: 50,000 cycles with load
- OPERATING FORCE: 180 ± 50gf (1.76 ± 0.49N)
- RELEASING FORCE: 20gf min. (0.2N min.)
- TRAVEL: 0.25 ± 0.10 mm
- OPERATING TEMPERATURE: -20°C to 70°C

### Materials

- KNOB: PA
- COVER: SUS
- HOUSING: PA
- SPRING PLATE: Silver clad
- TERMINAL: Silver plated

**NOTE:** Specifications and materials listed above are for switches with standard options. For information on specific and custom switches, please contact Customer Service.

## RS-285G05 U RT



### Specifications

- CONTACT RATING: 50mA @ 12 VDC
- INITIAL CONTACT RESISTANCE: 100 m ohms max.
- INSULATION RESISTANCE: 100 M ohms min.
- DIELECTRIC STRENGTH: 250 V AC (50-60 Hz) between open terminals and between the frame and terminal.
- OPERATING LIFE: 100,000 cycles with load
- OPERATING FORCE: 160 ± 50gf
- RELEASING FORCE: 50gf min.
- TRAVEL: 0.25 ± 0.10 mm
- OPERATING TEMPERATURE: -20°C to 70°C

### Materials

- COVER: SUS
- HOUSING: PA
- SPRING PLATE: Silver clad
- TERMINAL: Silver plated

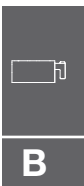
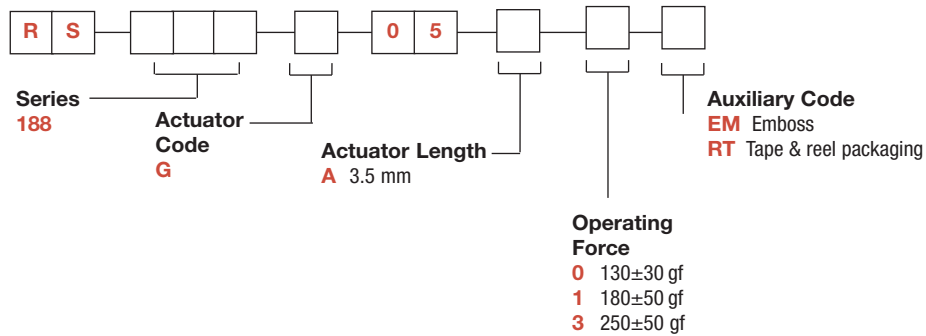
**NOTE:** Specifications and materials listed above are for switches with standard options. For information on specific and custom switches, please contact Customer Service.



*Dimensions are shown: mm  
Specifications and dimensions subject to change*

**NEW!**

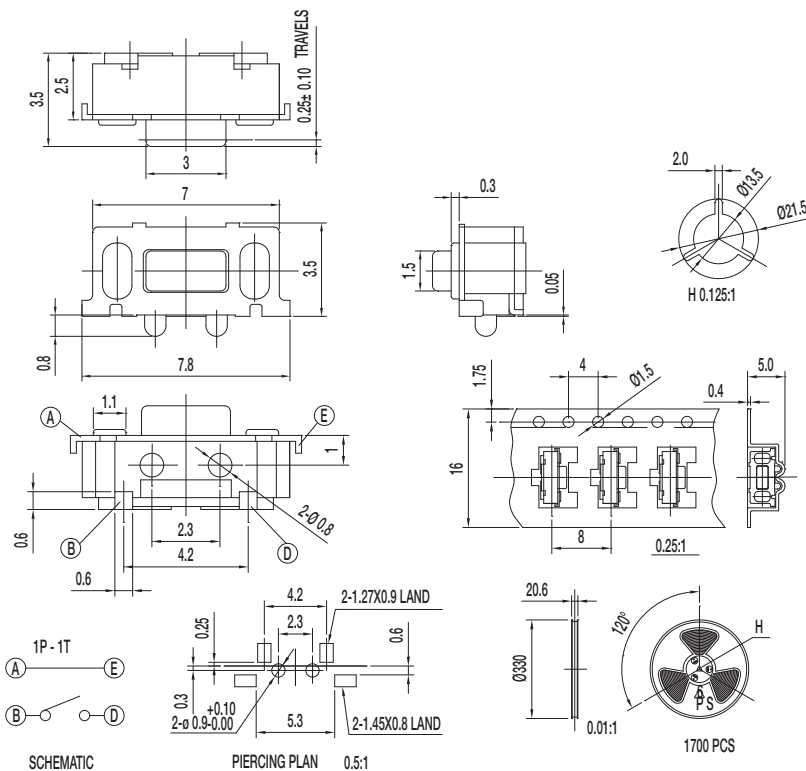
# RS Series Tact Switches



**B**

**Tactile Switches**

## RS-188G05A EM RT



### Specifications

- CONTACT RATING: 50mA @ 12 VDC
- INITIAL CONTACT RESISTANCE: 100 m ohms max.
- INSULATION RESISTANCE: 100 M ohms min.
- DIELECTRIC STRENGTH: 250 V AC (50-60 Hz) between open terminals and between the frame and terminal.
- OPERATING LIFE: 30,000 cycles with load
- OPERATING FORCE: 180 ± 50gf
- RELEASING FORCE: 20gf min. (0.2N min.)
- TRAVEL: 0.25 ± 0.10 mm
- OPERATING TEMPERATURE: -20°C to 70°C

### Materials

- KNOB: PA
- COVER: SPTe
- HOUSING: PA
- SPRING PLATE: SUS
- TERMINAL: Silver plated

**NOTE:** Specifications and materials listed above are for switches with standard options. For information on specific and custom switches, please contact Customer Service.



Dimensions are shown: mm  
Specifications and dimensions subject to change