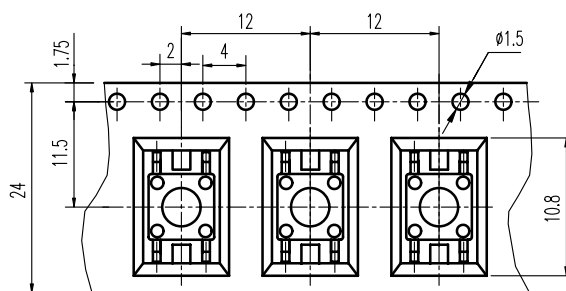
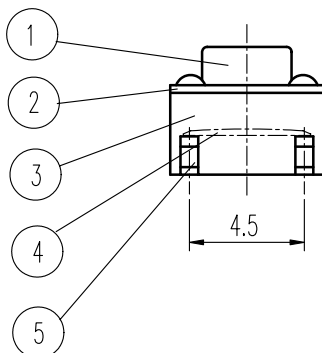
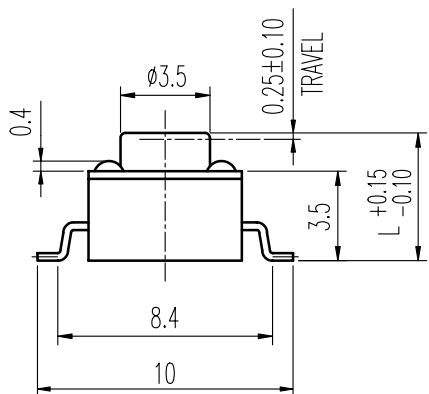
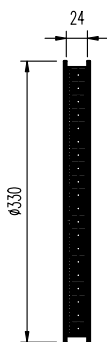
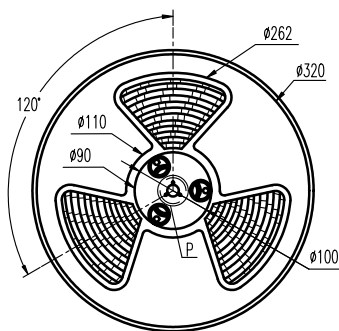
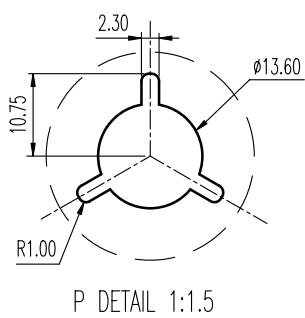


|   | FORCE(gf) | KNOB COLOUR | OPERATING LIFE WITH LOAD | SPRING PLATE |
|---|-----------|-------------|--------------------------|--------------|
| H | 100±30    | WHITE       | 100,000 Cycles           | 1            |
| 0 | 130±30    | GREY        |                          |              |
| 1 | 160±30    | BLACK       |                          |              |
| 3 | 250±50    | IVORY/GREEN | 50,000 Cycles            | 1            |
| 4 | 300±50    | BLACK       | 50,000 Cycles            | 2            |
|   | 380±50    |             |                          |              |
| 5 | 500±100   | GREY        |                          |              |

| L |     |
|---|-----|
| A | 4.3 |
| B | 5   |

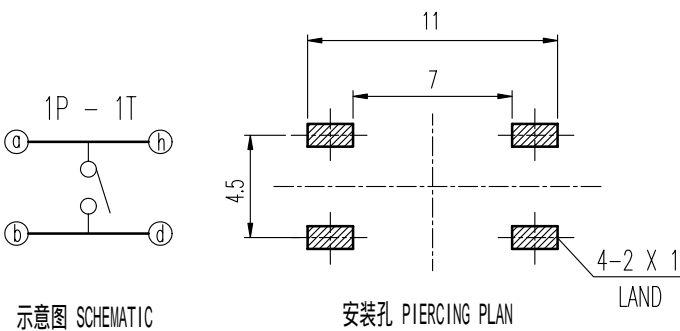


PACKAGE : 1,250 SWITCHES PER REEL



### 规格 Specifications

|                               |                              |
|-------------------------------|------------------------------|
| 额定负荷 Rdtngs                   | DC 12_V_50_mA                |
| 接触阻抗 Contact Resistance       | 100_mΩ Max.                  |
| 绝缘阻抗 Insulation Resistance    | DC 100_V_60_Sec. 100_MΩ Min. |
| 抗电强度 Dielectric Voltage       | AC 250_V(50~60HZ) 60_Sec.    |
| 操作力 Operating Force           | 见上表                          |
| 负荷寿命 Operating Life With Load | 见上表                          |



| 序NO. | 零件 PART         | 材料 MATERIAL | 数量 QTY | 备注 REMARKS |
|------|-----------------|-------------|--------|------------|
| 5    | 端子 TERMINAL     | C2680R      | 4      | Ag PLATED  |
| 4    | 弹片 SPRING PLATE | C5210R      | 见上表    | Ag CLAD    |
| 3    | 胶壳 HOUSING      | PA          | 1      | BLACK      |
| 2    | 盖片 COVER        | SPCC        | 1      | Ni PLATED  |
| 1    | 胶柄 KNOB         | PA          | 1      |            |

| 标号 REV | 内容 DESCRIPTION  | 签名 SIGN. | 日期 DATE    |
|--------|---|----------|------------|
| A07    | PACKAGE : 1000 SWITCHES PER REEL 变更为 1,250 SWITCHES PER REEL, 见标注①              | 张渠江      | 2010-7-13  |
| A06    | 盖片材料由SPTE变更为SPCC, 备注项由NATURAL 变更为Ni PLATED, 见标注②                                | 张渠江      | 2009-11-3  |
| A05    | POLY FILM → SPTE 见标注③   | 鲁腾       | 2007-5-18  |
| A04    | PACKAGE : 700 SWITCHES PER REEL<br>PACKAGE : 1000 SWITCHES PER REEL / 取消共用柄长 见④ | 王光云      | 2006-10-16 |
| A03    | 增加寿命次数和弹片数量见上表⑤   | 杨蝶       | 2006-10-13 |
| A02    | 修改见⑥  | 饶品旺      | 2005-11-30 |

| TOLERANCES UNLESS OTHERWISE SPEC. |        | TITLE    | TACT SWITCH | ITEM NO   | RS-014R05__-SMA RT |         |
|-----------------------------------|--------|----------|-------------|-----------|--------------------|---------|
| UNDER 1                           | ± 0.10 | DRAWN    | 张渠江         | 2010-7-13 | VERSION            | A07     |
| 1 - 10                            | ± 0.30 | REVIEWED | 王光云         | 2010-7-13 | SCALE              | UNIT mm |
| OVER 10                           | ± 0.50 | APPROVED | 马建和         | 2010-7-13 | PROJECTION         |         |

COMAX

高铭电子(惠州)有限公司  
Comax Electronics(Huizhou)Co.,Ltd.