



# PWR Series Power Pushbutton

Pushbutton  
A

## Features/Benefits

- Movable contact with redundant high power contact points to form a momentary, SPST, double break switch
- Rubber actuator provides sealing and tactile feel.
- Small SMT packaging allows applications to integrate power and signal switch on same PCB
- RoHS compliant and compatible
- IP65

## Typical Applications

- Computers and peripherals
- Automotive power function
- White goods and appliances
- Industrial power applications



## Specifications

OPERATING FORCE: 7N typical.  
 OPERATING LIFE: 25,000 cycles for the two VAC ratings;  
 100,000 cycles for the two DC ratings.  
 CONTACT RATING: 2A @ 125 VAC / 1A @ 250 VAC  
 5A @ 12 VDC / 1A @ 24 VDC.  
 CONTACT RESISTANCE: 100mΩ max. initial.  
 DIELECTRIC STRENGTH: 1500 VRMS min.  
 INSULATION RESISTANCE: 100 Mega-ohms min.  
 BOUNCE TIME: 20 milliseconds max.  
 OPERATING TEMPERATURE: -20°C to 85°C

## Materials

MOVABLE CONTACTS: Silver alloy.  
 FIXED CONTACTS/TERMINALS: Silver alloy / Tin over brass.  
 BASE: PPS.  
 FRAME: Stainless steel.  
 ACTUATOR: Silicone rubber.

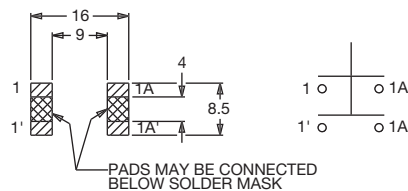
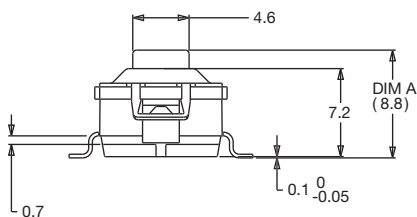
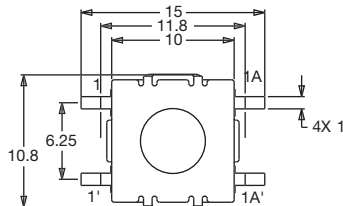
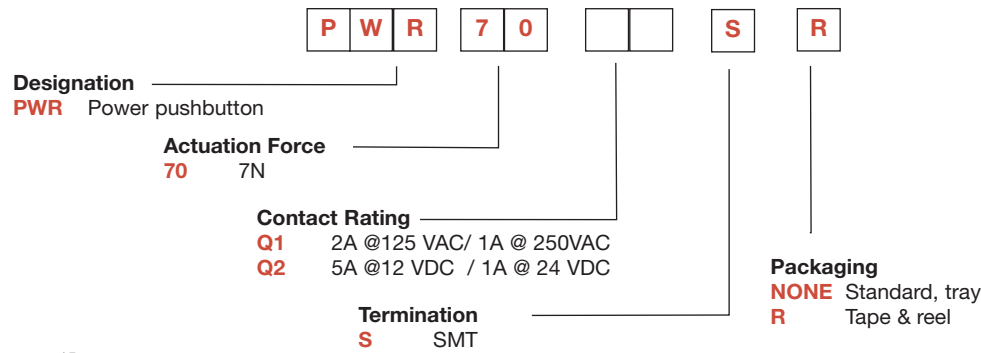
## Packaging

In reels of 425 pieces.  
 Dimensions of reels according to EIA RS481 or IEC 60286-3.  
 External diameter 330 mm ± 2 mm.

**NOTE:** Specifications and materials listed above are for switches with standard options.  
 For information on specific and custom switches, please contact Customer Service.

## Build-A-Switch

To order, simply select desired option from each category and place in the appropriate box.



SWITCH STATE	DIM A
Free position	8.7
Operate position	7.7
Max travel	7.1



Dimensions are shown: mm  
 Specifications and dimensions subject to change