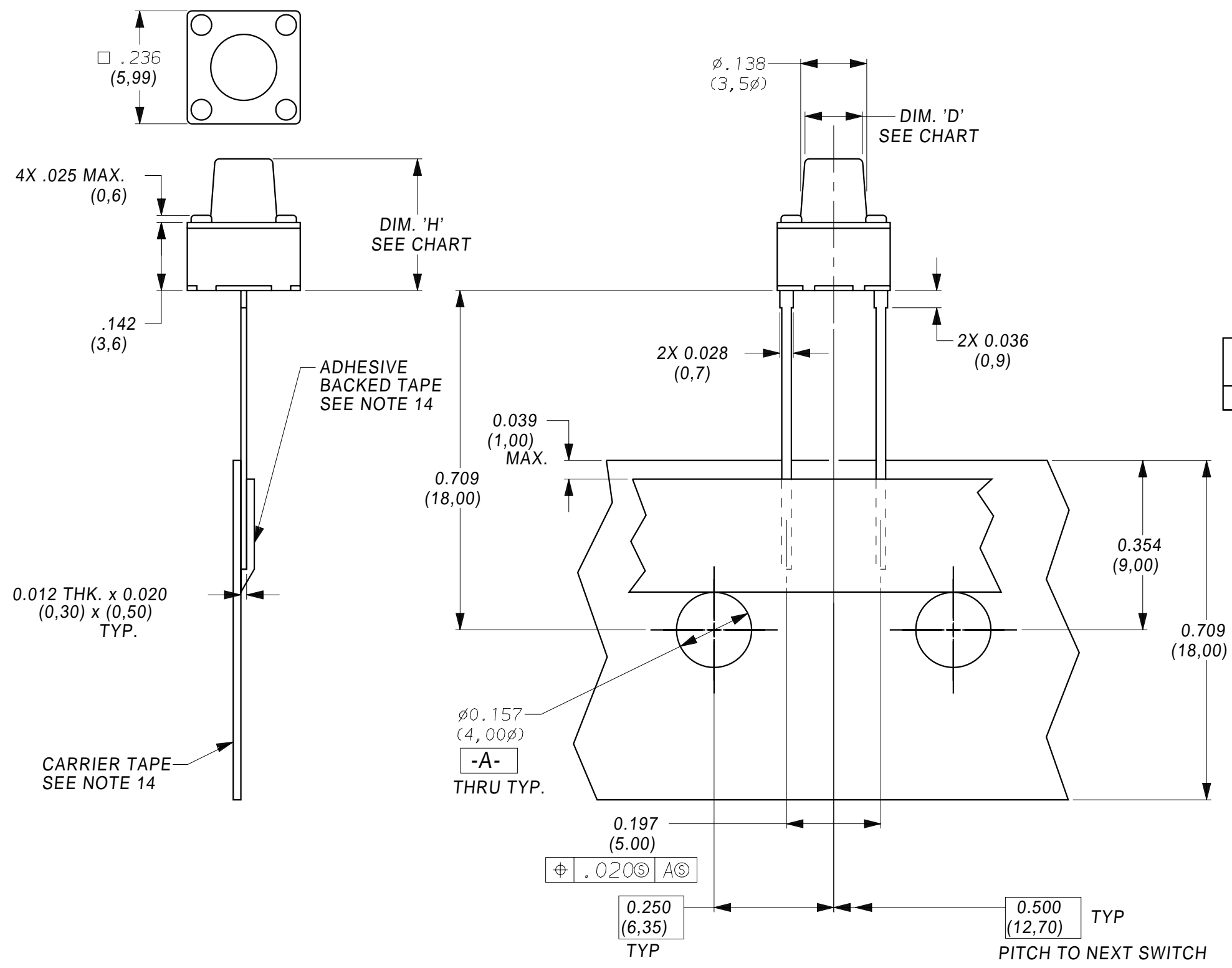


REVISIONS				1
ECN	SYM	DESCRIPTION	DATE	APPROVAL
	1	CREATE NEW DWG.	7/1/04 KON	



MODEL	OPERATING FORCE	DIM. 'H'	DIM. 'D'	ACTUATOR COLOR
PTS645SM43TR	160g TYP.	.169(4,3mm)	ø.138 (3,5mm)	BLUE

NOTE: FOR PRODUCT REQUIREMENTS & PACKING VISUAL AIDE, SEE SHEET 2

ALL DIMS. AND TOLS. PER ANSI Y14.5	UNLESS OTHERWISE SPECIFIED DIMENSIONS ARE IN INCHES	
THIS DOCUMENT AND THE INFORMATION IN IT IS THE EXCLUSIVE PROPERTY OF C&K COMPONENTS, INC. AND IS NOT TO BE USED OR DISCLOSED WITHOUT THE EXPRESS WRITTEN PERMISSION OF C&K COMPONENTS, INC.	TOLERANCES	
	DECIMAL .XX± .XXX±	ANGULAR ± X .012(0,3)
<input checked="" type="checkbox"/> CRITICAL - MUST COMPLY WITH C&K QUALIFICATION STD. CKQI0019	SCALE 4:1	DATE 7/1/04
<input type="checkbox"/> MAJOR DIMENSION	DRAWN K.ONEIL	APPROVED

CAD FILE NO.: pts645sm43tr-pg1_1

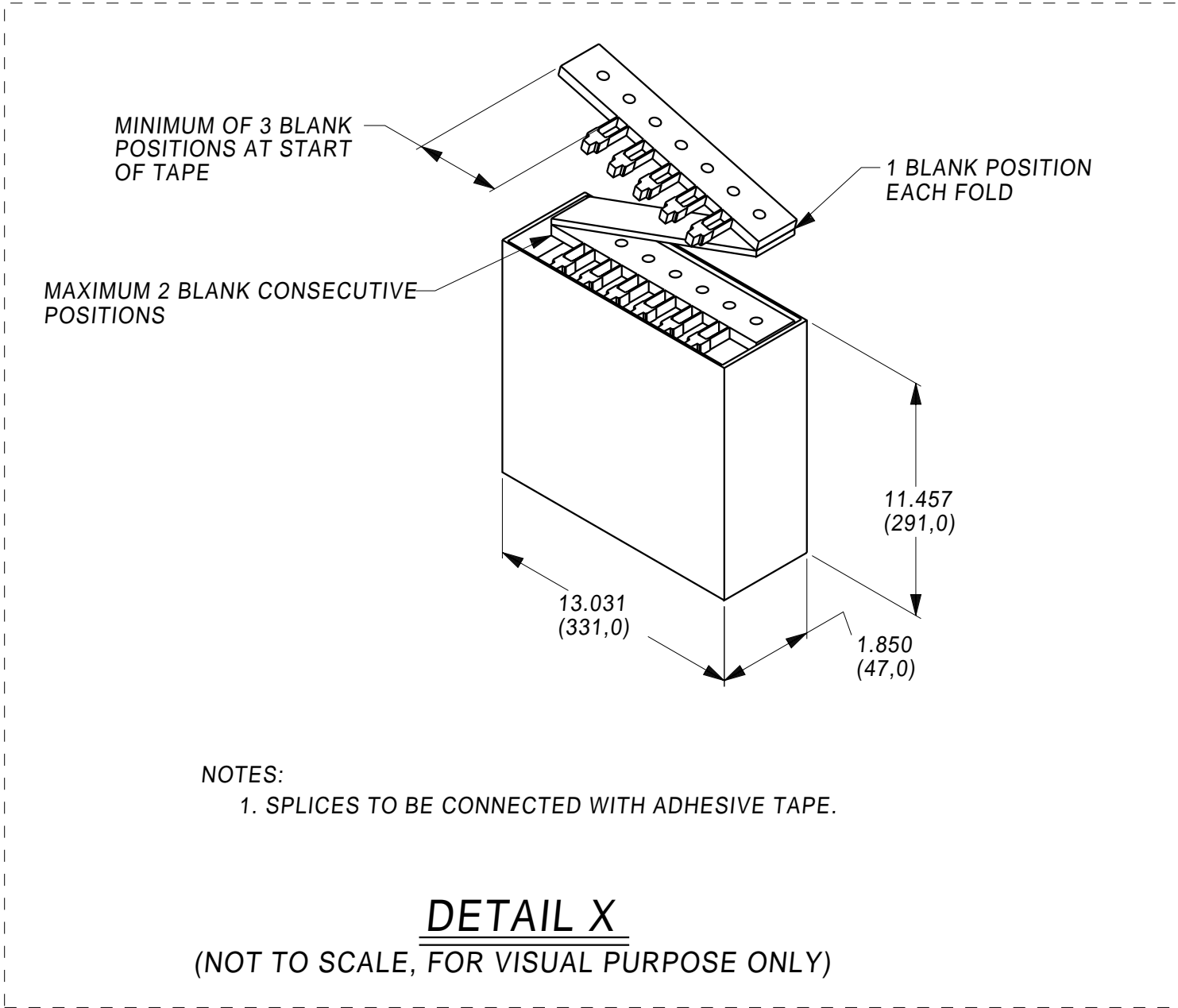
C&K P/N: PTS645SM43TR



REV. 1

SHT.NO. 1 OF 2
REV. 1

REVISIONS				1
ECN	SYM	DESCRIPTION	DATE	APPROVAL
		SEE SHEET 1.		



CAD FILE NO.: pts645sm43tr-pg2_1

NOTE: FOR PRODUCT OUTLINE, SEE SHEET 1

ALL DIMS. AND TOLS. PER ANSI Y14.5	UNLESS OTHERWISE SPECIFIED DIMENSIONS ARE IN INCHES	
THIS DOCUMENT AND THE INFORMATION IN IT IS THE EXCLUSIVE PROPERTY OF C&K COMPONENTS, INC. AND IS NOT TO BE USED OR DISCLOSED WITHOUT THE EXPRESS WRITTEN PERMISSION OF C&K COMPONENTS, INC.	TOLERANCES	
	DECIMAL .XX± .XXX±	ANGULAR ± X .012(0,3)
<input checked="" type="checkbox"/> CRITICAL - MUST COMPLY WITH C&K QUALIFICATION STD. CKQ10019	SCALE NONE	DATE 7/1/04
<input type="checkbox"/> MAJOR DIMENSION	DRAWN K.ONEIL	APPROVED

C&K P/N: PTS645SM43TR



REV. 1

REV. 1

SHT.NO. 2 OF 2