

规格 Specifications

额定负荷 Ratings	5A 125VAC 3A 250VAC
初始接触电阻 Initial Contact Resistance	100 mΩ Max.
绝缘电阻 Insulation Resistance	DC500 V 60±5 Sec. 100 MΩ Min.
抗电强度 Dielectric Voltage	AC1000 V(50~60HZ) 60±5 Sec.
操作力 Operating Force	230±50 gf
回复力 Releasing Force	55 gf Min.
动作位置 Operating Position	8.40±0.40mm
自由位置 Free Position	9.20mm Max.
接触行程 Pre Travel	0.6 mm Max.
超行程 Over Travel	0.5 mm Min.
差动行程 Differential Travel	0.2 mm Max.
机械寿命 Operating Life Without Load	1,000,000 cycles
负荷寿命 Operating Life With Load	UL: 6,000 cycles CQC: 50,000 cycles

去除胶盖 without cover

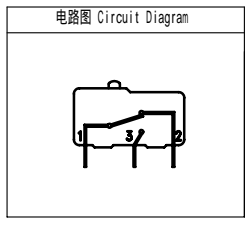
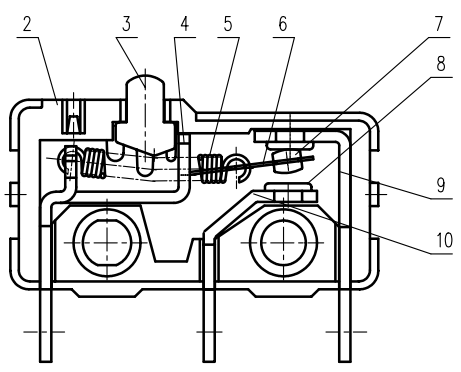
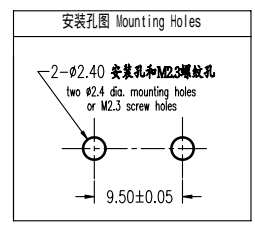


示意图 SCHEMATIC



安装孔PIERCING PLAN

10	NO 端子	NO Terminal	C2680R	1	Ag PLATED
9	NC 端子	NC Terminal	C2680R	1	Ag PLATED
8	端子触点	Terminal contact	AgNi Alloy	2	NATURAL
7	接触片触点	Contact	AgNi Alloy	1	NATURAL
6	接触片	Contact Plate	C5210R	1	Ag PLATED
5	弹簧	Spring	SUS	1	NATURAL
4	COM 端子	Com Terminal	C2680R	1	Ag PLATED
3	按钮	Knob	PBT	1	BLACK C
2	胶壳	Housing	PBT	1	BLACK C
1	胶盖	Cover	PBT	1	BLACK C
序NO.	零件PART	材料MATERIAL	数量QTY	备注REMARKS	

A04	胶盖字唛由移印改为刻字,取消生产日期标记 见⑥	刘 斌	2011-3-30
A03		胡俊廷	2010-4-30
A02	更换CQC图标见 ①	杨 蝶	2007-8-10
A01		周理中	06-04-19
标号REV	内容DESCRIPTION	签名SIGN.	日期DATE

DWG NO. ITEM2666

TOLERANCES UNLESS OTHERWISE SPEC.		TITLE	MICRO SWITCH		ITEM NO	MS-105A01 (H)	
UNDER 1	± 0.10	DRAWN	刘 斌	2011-3-30	VERSION	A04	PAGE 1 OF 1
1 - 10	± 0.30	REVIEWED	王光云	2011-3-30	SCALE		UNIT mm
OVER 10	± 0.50	APPROVED	马建和	2011-3-30	PROJECTION		

COMAX 高铭电子(惠州)有限公司
Comax Electronics(Huizhou)Co.,Ltd.