

# KSH Series

## Soft Feeling High Tactile SMT Top Actuated

### Features/Benefits

- 6.3 x 6.3 x 5.0 mm footprint
- Low contact resistance
- High number of cycles
- 2 or 4 pin PCB layout

### Typical Applications

- Automotive Interior
- Car AV equipment
- Electronic musical instrument



### Specifications

FUNCTION: momentary action  
 CONTACT ARRANGEMENT: 1 make contact = SPST N.O.  
 TERMINALS: J type for SMT  
 TRAVEL: 1.3 ± 0.2 mm

### Mechanical

Part Number	Operating Force (N)	Operating Life (operations)
KSH X11J 50 LFS	1.6 ± 0.5	200,000
KSH X21J 50 LFS	2.0 ± 0.6	200,000
KSH X31J 50 LFS	2.5 ± 0.8	200,000
KSH X41J 50 LFS	3.0 ± 1.0	200,000
KSH X51J 50 LFS	3.5 ± 1.2	100,000

### Electrical

MAXIMUM / MINIMUM VOLTAGE: 12 VDC / 2 VDC  
 MAXIMUM / MINIMUM CURRENT DC: 50 mA / 10 µA  
 DIELECTRIC STRENGTH: 250 VA C (1mm)  
 CONTACT RESISTANCE: ≤ 100 mΩ  
 INSULATION RESISTANCE: ≥ 100 MΩ  
 BOUNCE TIME: ≤ 10 ms

### Environmental

OPERATING TEMPERATURE: -40°C to 90°C

### Process

SOLDERING: This component is suited to the following methods:  
 Infrared Reflow Soldering in accordance with IEC61760-1

### Packaging

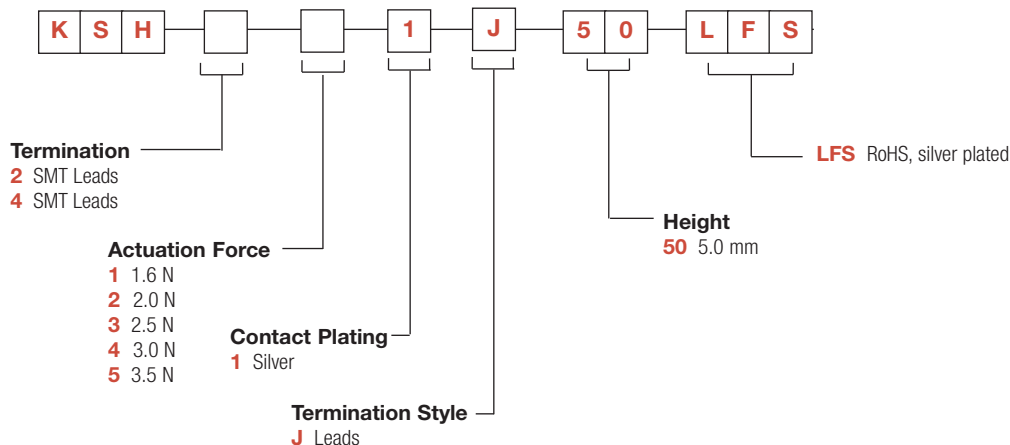
In reels of 1,000 pieces  
 Dimensions of reels according to EIA 481B  
 External diameter 330 mm

**NOTE:** Specifications listed above are for switches with standard options.  
 For information on specific and custom switches, consult Customer Service Center.

### How To Order

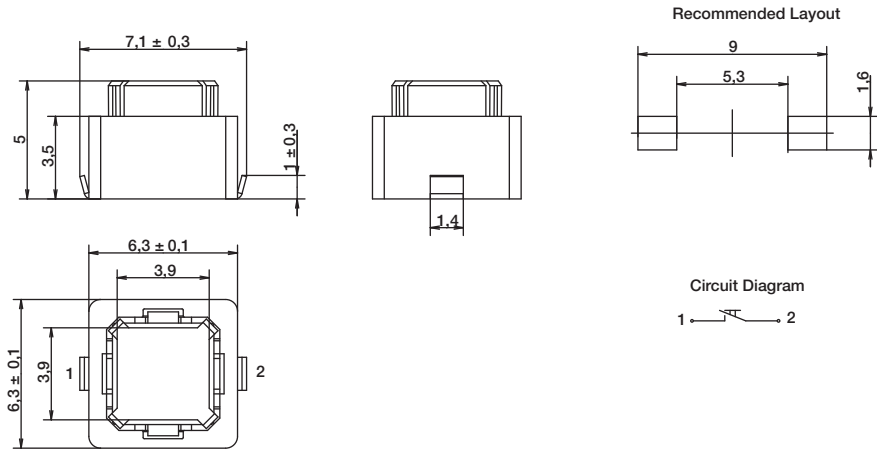
Our easy build-a-switch concept allows you to mix and match options to create the switch you need. To order, select desired option from each category and place it in the appropriate box.

**For any part number different from those listed above, please consult your local representative.**



# KSH Series Soft Feeling High Tactile SMT Top Actuated

## KSH2



## KSH4

