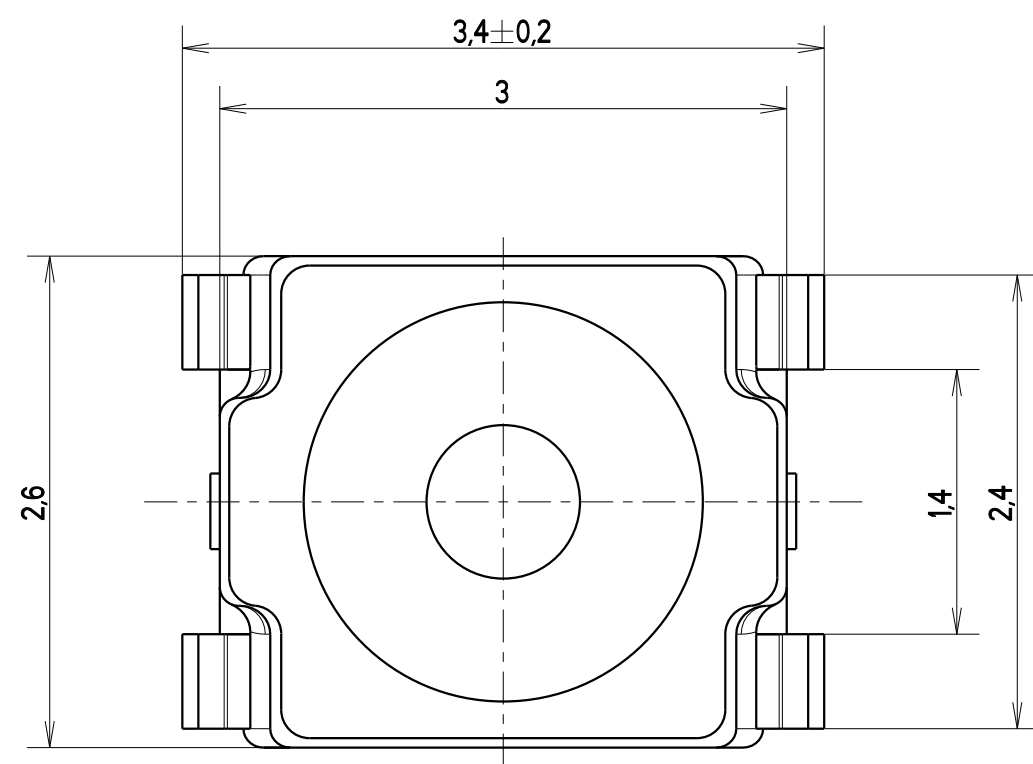
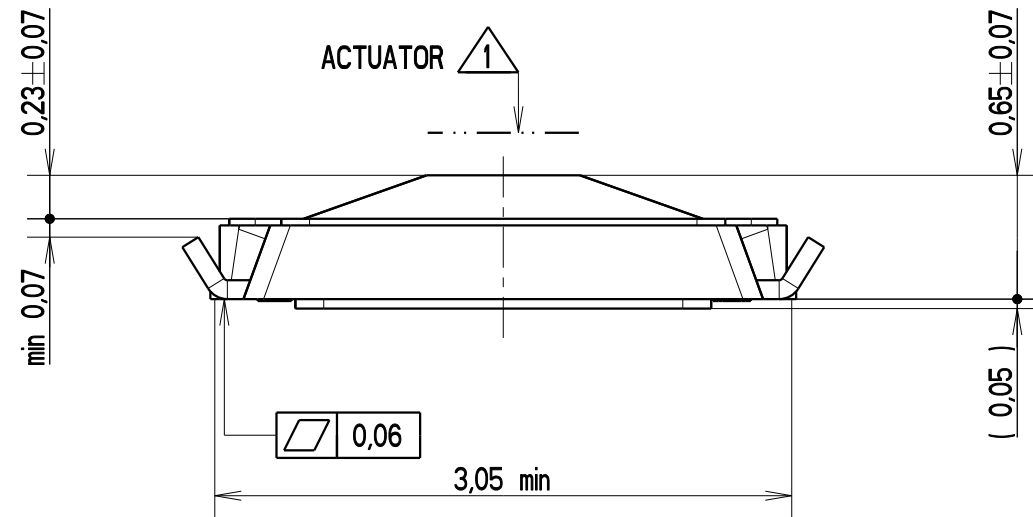


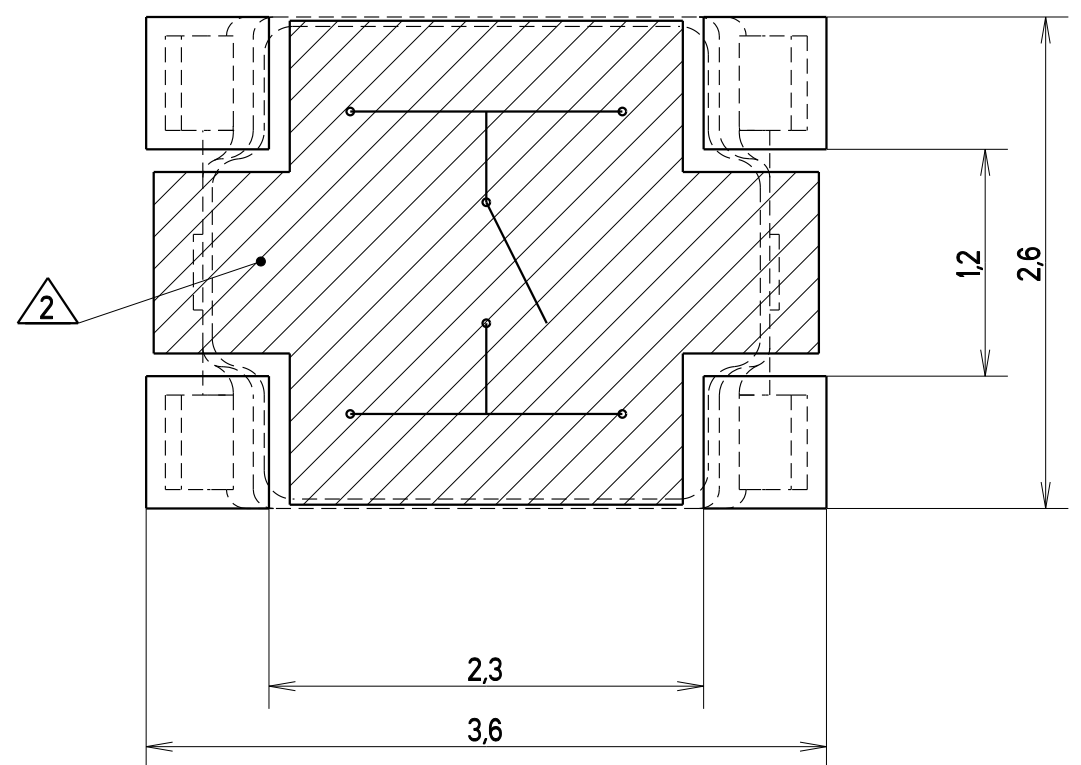
A B C D E F

REV.	N° DCR	NATURE DE LA MODIFICATION	DATE	VISA
A	ECR-5893	Nota 1 "we recommend the usage of key interface as wide as possible" replaced by "actuator $\varnothing 2,8 \pm 0,2$ centering 0,2 mm max and actuator angle max 4° ". Removed nota 3 and 4	16/12/2010	L.B



Reference	Designation
34 H03 11B FP	KMT 031 OL LHS

RECOMMENDED LAYOUT ELECTRICAL DIAGRAMM



NOTA :
 1 Actuator $\varnothing 2,8 \pm 0,2$ mm
 Centering 0,2 mm max
 Actuation angle max 4° .
 2 Prohibited area

SYSTEM CONFIDENTIAL

MATERIAL / VOLUME	TREATMENT	PROTECTION
UNLESS OTHERWISE : - DIMENSIONS GIVEN BEFORE PROTECTION - BURRS AND SHARP EDGES DELETED	ANGULAR TOLERANCE $\pm 1^\circ$ LINEAR TOLERANCE $\pm 0,1$ SURFACE FINISH Ra	CRITICAL DIMENSIONS \blacktriangledown 0 SPC DIMENSIONS \blacktriangledown 0
CREATE BY BOUVIER L DATE 22-10-2010		
CHECKED BY DATE	MODIFICATION see revision table on the first sheet	
APPROVED BY DATE	REPLACE	
	FILENAME 34.MH2.006.FP.KLOSTE	
	FOLDER Dossier racine/dole.south.rd/kmt/produit/bande.22mm	
	PART DESCRIPTION	
G&K C&K Components	 SCALE 25,000	KMT 031 OL LHS
BP 359 - 39105 Dole - FRANCE -	SIZE A3 SHEET 1 / 1	PART NUMBER 34 MH2 006 FP REV A

CE PLAN EST LA PROPRIETE DE CBK COMPONENTS SAS ET NE PEUT ETRE REPRODUIT OU COMMUNIQUE SANS SON AUTORISATION

A B C D E F