

K5A2 Series Snap Action Key Switch



Features/Benefits

- Quiet actuation
- Space Saving
- RoHS compliant

Typical Applications

- Automotive
- Computers and network equipment

Construction

FUNCTION: Momentary action
CONTACT ARRANGEMENT: Normally open
TERMINALS: Gullwing type for SMT

Mechanical

OPERATING FORCE: (6N version) 5,5 + 0,5 -1N
3,7 + 0,8N -0,5N
OPERATING LIFE: 50,000 operations
TOTAL TRAVEL: 0.8 mm +/- 0.2 mm
ELECTRICAL TRAVEL: 0,5 mm +/- 0.1 mm

Packaging

Switches are delivered on continuous tape, in reels of 600 pieces

Note: Specifications listed above are for switches with standard options.
For information on specific and custom switches, consult Customer Service Center.

Electrical

	Gold	Silver
POWER MIN / MAX:	.02 VA / 1 VA	.02 VA / 1 VA
VOLTAGE MIN / MAX:	20 mVDC/50 VDC	20 mVDC/50 VDC
CURRENT MIN / MAX DC:	10µA / 100 mA	1 mA / 100 mA
CONTACT RESISTANCE:	≤ 100 mΩ	≤ 100 mΩ
INSULATION RESISTANCE:	≥ 1GΩ	≥ 1GΩ
BOUNCE TIME:	5 ms	5 ms

Environmental

OPERATING TEMPERATURE:	-40°C to +105°C	-40°C to +85°C
STORAGE TEMPERATURE:	-50°C to +125°C	-50°C to +95°C

Process

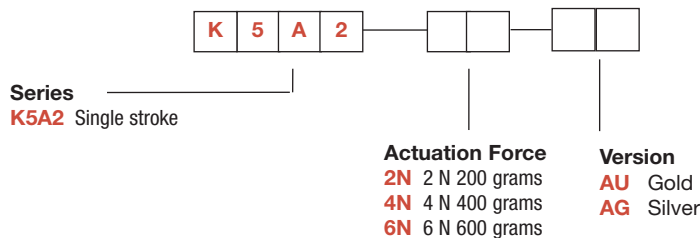
SOLDERING: Lead Free reflow compatible in accordance with CEI 60068-2-58 and Nr. 8GD000004

Materials

CONTACTS:	Au over Ni-layer	Ag on Ni-layer
SOLDERING PINS:	Au	Ag
HOUSING:	Thermoplastic UL 94 H-B	

How To Order

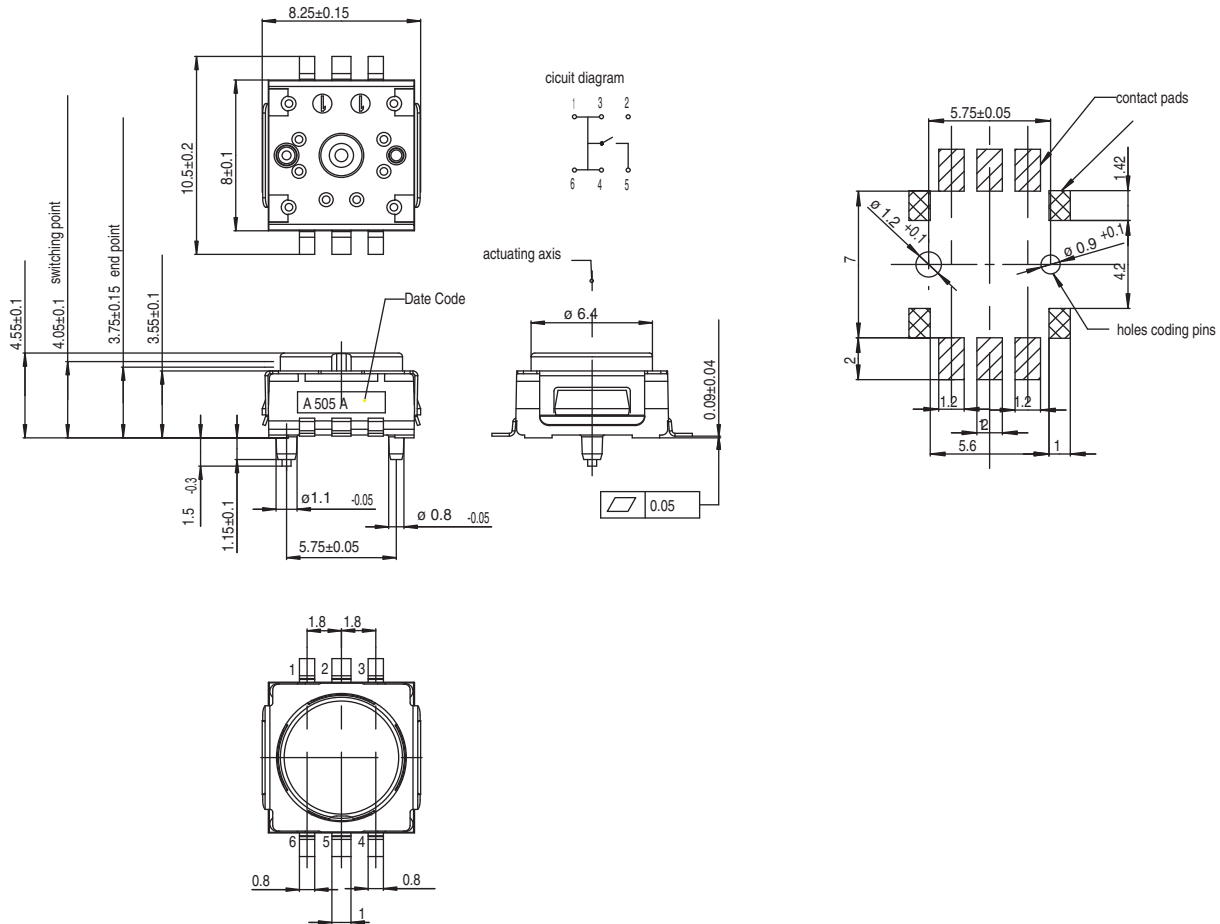
Our easy build-a-switch concept allows you to mix and match options to create the switch you need. To order, select desired option from each category and place it in the appropriate box.



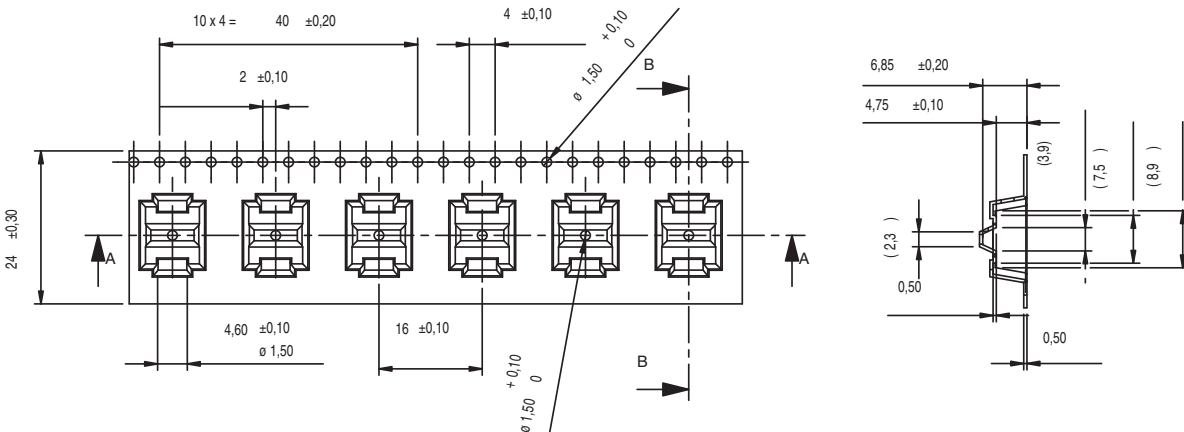
K5A2 Series Snap Action Key Switch Switch

K5A2 SINGLE STROKE VERSION

PCB LAYOUT, MOUNTING SIDE



Tape and Reel



Dimensions are shown: mm
Specifications and dimensions subject to change