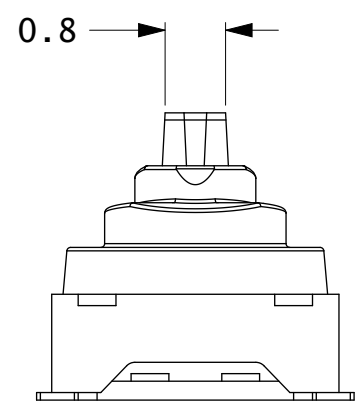
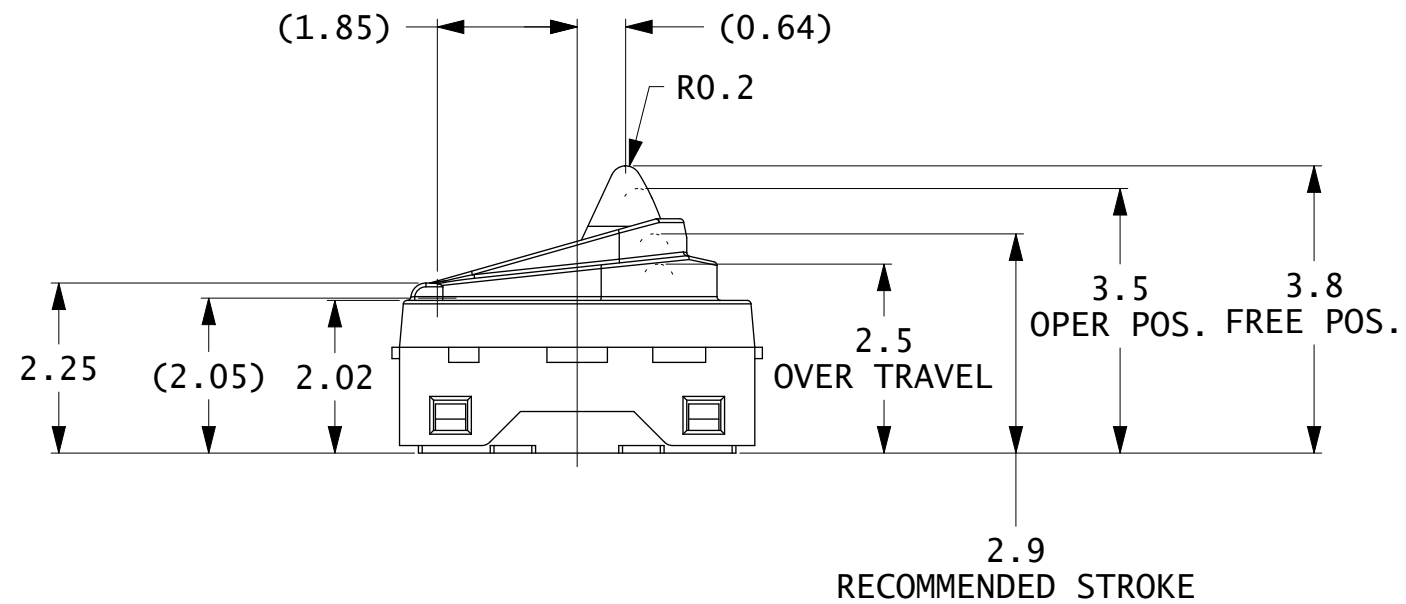
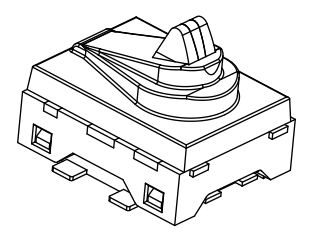
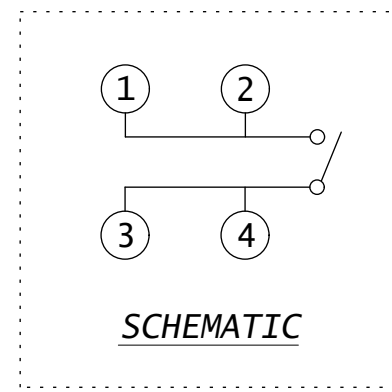


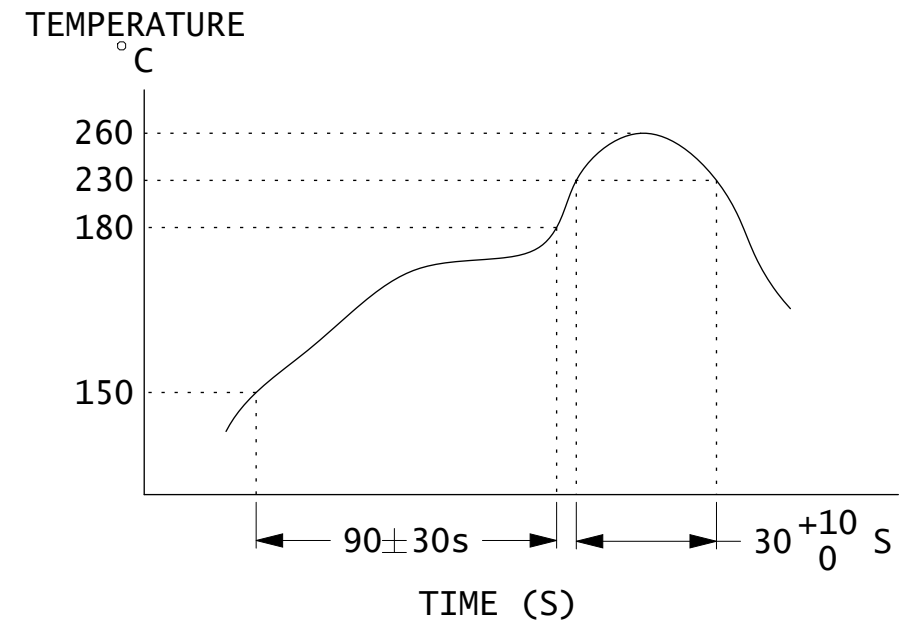
SURFACE MOUNT LAYOUT



REVISIONS			JCH1AQNPR		A
ECN	SYM	DESCRIPTION	DATE	APPROVAL	
12004	A	RELEASED TO PRODUCTION	2/7/13 JT		



SCALE 6:1



- NOTES:
1. TERMINAL NUMBERS FOR REFERENCE ONLY
  2. MECHANICAL/ELECTRICAL LIFE: 100,000 CYCLES MIN
  3. OPERATING TEMPERATURE: -20°C TO +70°C  
STORAGE TEMPERATURE: -30°C TO +80°C
  4. OPERATING FORCE: 65 gf MAX
  5. ELECTRICAL RATING: 1mA - 5VDC
  6. CONTACT RESISTANCE: 1 Ω MAX (INITIAL)
  7. INSULATION RESISTANCE: 100 MΩ AT 500VDC/MINUTE
  8. DIELECTRIC STRENGTH: 500VAC FOR 1 MIN
  9. PACKAGING: TAPE AND REEL SEE PAGE 2
  10. THIS PART IS RoHS COMPLIANT AND MEETS ALL REQUIREMENTS OF ROHS DIRECTIVE 2002/95/EC.

CAD FILE NO.: JCH1AQNPR-OL\_A

ALL DIMS. AND TOLS. PER ANSI Y14.5	UNLESS OTHERWISE SPECIFIED DIMENSIONS ARE IN MM	
THIS DOCUMENT AND THE INFORMATION IN IT IS THE EXCLUSIVE PROPERTY OF C&K COMPONENTS, INC., AND IS NOT TO BE USED OR DISCLOSED WITHOUT THE EXPRESS WRITTEN PERMISSION OF C&K COMPONENTS.	TOLERANCES	
	LINEAR ± 0,2	ANGULAR ± 2°
<input checked="" type="checkbox"/> CRITICAL - MUST COMPLY WITH C&K QUALIFICATION STD. CKQI0019 <input type="checkbox"/> MAJOR DIMENSION	SCALE 10:1	DATE Dec-10-12
	DRAWN CAB	APPROVED G. BOWMAN

OUTLINE DRAWING  
JCH1AQNPR  
JCH SERIES

**C&K**  
COMPONENTS

REF NO. N\_JCH-SER

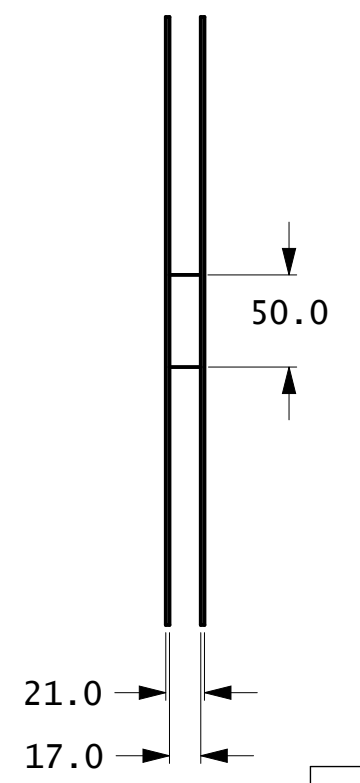
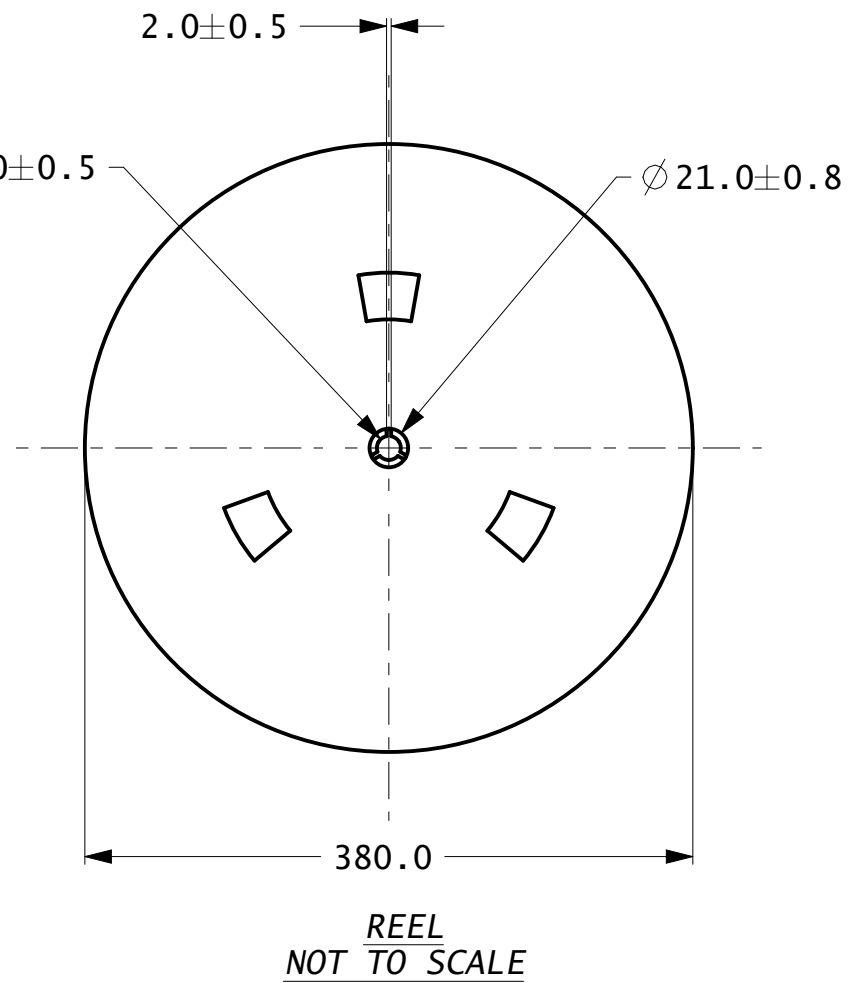
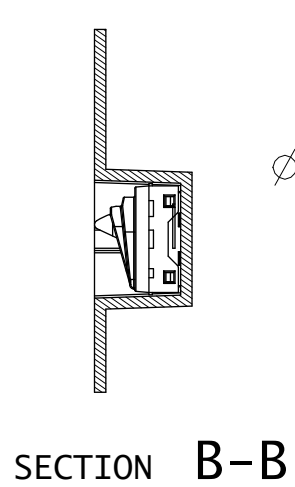
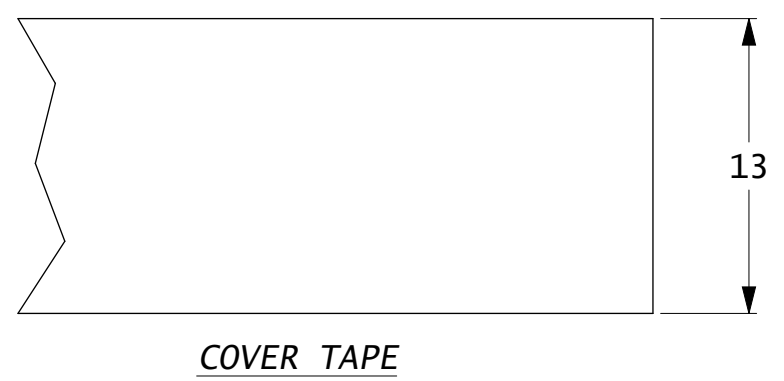
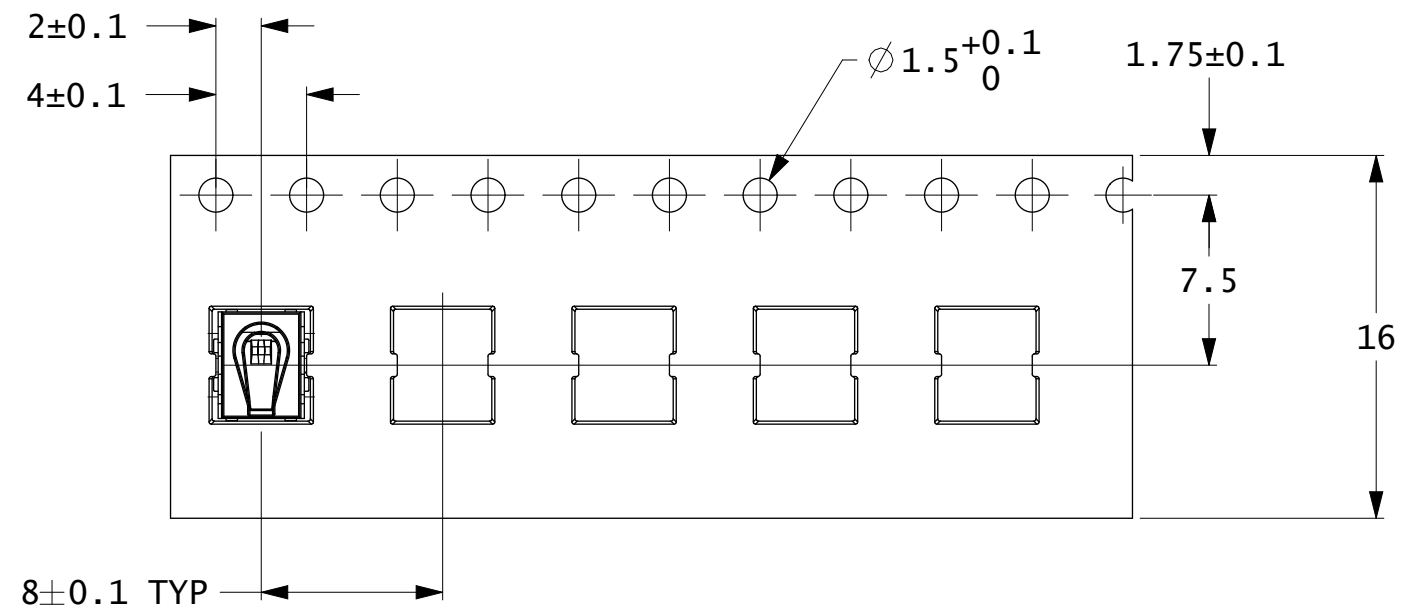
JCH1AQNPR

REV. A

SHT. NO. 1 OF 2

REV. A  
JCH1AQNPR

REVISIONS			JCH1AQNPR		A
ECN	SYM	DESCRIPTION	DATE	APPROVAL	
	A	SEE PAGE 1			



- NOTES:
1. PACKAGE QUANTITY: 2,800 PCS/REEL.
  2. THE REEL CARRIER TAPE WILL HAVE A LEAD OF 50 EMPTY COMPONENT POCKETS AND AN END OF 50 EMPTY COMPONENT POCKETS ON EVERY REEL. ALL EMPTY COMPONENT POCKET WILL BE SEALED WITH COVER TAPE.
  3. AFTER THE LEAD, NO REEL CARRIER TAPE SHALL HAVE MORE THAN TWO CONSECUTIVE EMPTY COMPONENT POCKETS.

CAD FILE NO.: JCH1AQNPR-OL\_A

ALL DIMS. AND TOLS. PER ANSI Y14.5	UNLESS OTHERWISE SPECIFIED DIMENSIONS ARE IN MM	
	TOLERANCES	
THIS DOCUMENT AND THE INFORMATION IN IT IS THE EXCLUSIVE PROPERTY OF C&K COMPONENTS, INC., AND IS NOT TO BE USED OR DISCLOSED WITHOUT THE EXPRESS WRITTEN PERMISSION OF C&K COMPONENTS.	LINEAR ± 0,2	ANGULAR ± 1°
	SCALE 10:1	DATE Dec-11-12
<input checked="" type="checkbox"/> CRITICAL - MUST COMPLY WITH C&K QUALIFICATION STD. CKQI0019 <input type="checkbox"/> MAJOR DIMENSION	DRAWN CAB	APPROVED G. BOWMAN

OUTLINE DRAWING  
JCH1AQNPR  
JCH SERIES

**C&K**  
COMPONENTS

REF NO. N\_JCH-SER

JCH1AQNPR

REV. A

SHT. NO. 2 OF 2

REV. A  
JCH1AQNPR