

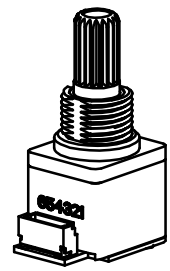
Series ENC series encoder
 Type OS Optical model S(STD)
 Positions 16
 * 16=16 Position or 22.5°
 20=20 Position or 18°
 24=24 Position or 15°
 *(Currently available)

Terminations
 C=Connector

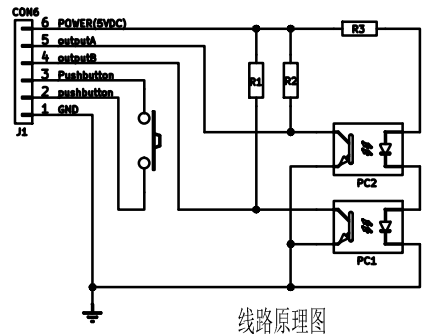
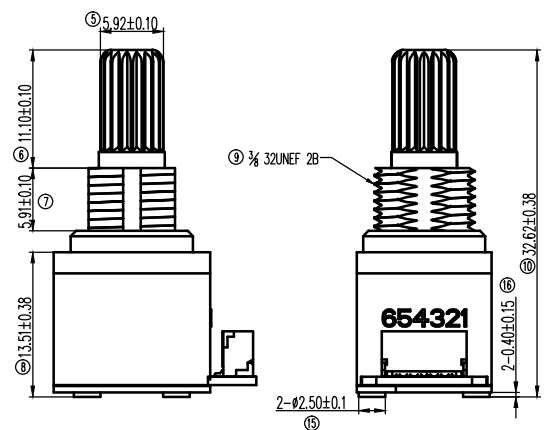
Operating Voltage
 3=3.3V
 5=5V

Switch
 00=Without switch
 S3=Switch 3N op force
 S6=Switch 6N op force

Detent
 D2=200gf-cm Torque
 D3=300gf-cm Torque



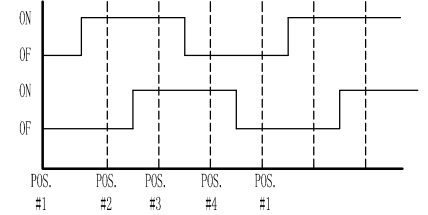
3D MODEL



线路原理图
 circuitry diagram

Note:
 Optional: Wires and connector can be ordered seperately

Position	Out put A	Out put B
#1	○	○
#2	○	○
#3	○	○
#4	○	○



○ Indicates logic low
 ○ Indicates logic high
 Code repeats every four positions

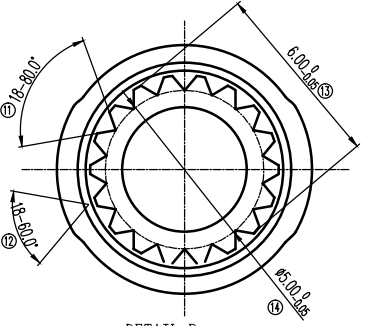
OutputA (v)	<1.0	>3.0	>3.0	<1.0
OutputB (v)	<1.0	<1.0	>3.0	>3.0

Operating Voltage :5V

OutputA (v)	<0.8	>2.3	>2.3	<0.8
OutputB (v)	<0.8	<0.8	>2.3	>2.3

Operating Voltage :3.3V

DWG NO. ITEM3934



规格 Specifications

额定负荷 Ratings	See above selection	
初期接触电阻 Initial Contact Resistance	10 Ω Max.	
绝缘电阻 Insulation Resistance	DC 500 V 60 Sec. 10 MΩ Min.	
抗电强度 Dielectric Voltage	AC 500V(50~60Hz) 60 Sec.	
操作力 Operating Force	旋转 Rotational Torque	See above selection ±30%
	推按 Push	See above selection ±20%
负荷寿命 Operating life with load	旋转 Rotary	300K cycles
	推按 Push	
接触行程 Travel for electrical contact	旋转 Rotary	See above selection
	推按 Push	0.74±0.2mm

REV	ECO	DESCRIPTION	SIGN.	DATE

CONFIDENTIAL: This document and the information in it is the exclusive property of C&K Components and not to be used or disclose without the express written permission of C&K Components.

OTHERWISE SPEC.	TITLE	Encoder	ITEM NO	ENCOS XX XX XX X X
UNDER ±0.10	DRAWN		VERSION	P01
1 -- 10 ±0.30	RECEIVED		SCALE	—
OVER 10 ±0.50	APPROVED		PROJECTION	UNIT mm

