

# CM Series Single Pole Power Rocker Switches

## Features/Benefits

- Illuminated versions available
- Easy to install snap-in design
- Multiple actuator and termination styles to choose from

## Typical Applications

- Computers and peripherals
- Power supplies
- Industrial equipment
- Small appliances



## Specifications

CONTACT RATING: 16 AMPS @ 125 VAC, 1/8 HP; 10 AMPS @ 250 VAC, 1/3 HP (UL/CSA).  
ELECTRICAL LIFE: 10,000 make and break cycles at full load.  
INSULATION RESISTANCE:  $10^8 \Omega$  min.  
DIELECTRIC STRENGTH: 1,500 VRMS @ sea level.

## Materials

HOUSING AND ACTUATOR: 6/6 nylon (UL94V-2), black, gloss or matte finish.  
ILLUMINATED ACTUATOR: Polycarbonate, gloss or matte finish.  
CENTER CONTACTS: Silver plated, copper alloy.  
END CONTACTS: Silver plated AgCdo.  
ALL TERMINALS: Silver plated, copper alloy.

**NOTE:** Specifications and materials listed above are for switches with standard options. For information on specific and custom switches, consult Customer Service Center.

## Build-A-Switch

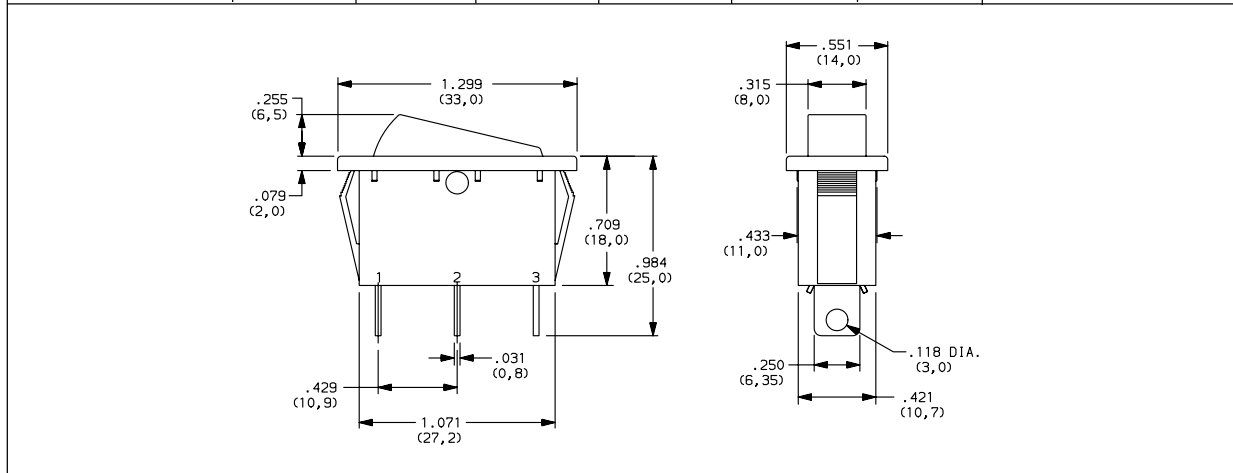
To order, simply select desired option from each category and place in the appropriate box. Available options are shown and described on pages 18 thru 20. For additional options not shown in catalog, consult Customer Service Center.

<p><b>Switch Function</b></p> <p>CM101 SPDT On-None-On CM102 SPST On-None-Off CM103 SPDT On-Off-On CM107 SPDT On-Off-Mom.</p> <p><b>Actuator</b></p> <p>J1 Rocker J3 Illuminated rocker J6 Rocker J8 Illuminated rocker</p> <p><b>Actuator Color</b></p> <p>2 (STD.) Black 1 White 3 Red R Red, illuminated A Amber, illuminated G Green, illuminated</p> <p><b>Mounting Style/Color</b></p> <p>S2 (STD.) Snap-in, black S4 (STD.) Snap-in, black S1 Snap-in, white S3 Snap-in, white</p> <p><b>Termination</b></p> <p>05 (STD.) .250" quick connect 07 Solder lug</p> <p><b>Actuator Marking</b></p> <p>(NONE) (STD.) No marking D ON-OFF H "O I" - international ON-OFF P "O -" international ON-OFF</p> <p><b>Contact Rating</b></p> <p>QA (STD.) Silver</p> <p><b>Lamp Rating</b></p> <p>(NONE) (STD.) No lamp 7 125 VAC neon 8 250 VAC neon</p>	
--	--

# CM Series Single Pole Power Rocker Switches

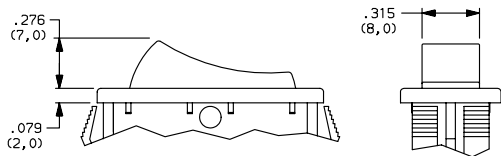
## SWITCH FUNCTION

NO. POLES	MODEL NO.	SWITCH FUNCTION			CONNECTED TERMINALS			SCHEMATIC
		C&K marking on opposite side			C&K marking on opposite side			
SP	<b>CM101</b>	ON	NONE	ON	2-3	N/A	2-1	
	<b>CM102</b>	ON	NONE	OFF				 OR For Illuminated Version
	<b>CM103</b>	ON	OFF	ON	OPEN			
	<b>CM107</b>	ON	OFF	MOM.				



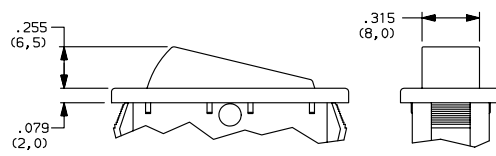
## ACTUATOR

- J1** ROCKER
- J3** ILLUMINATED ROCKER



NOTE: J3 actuator available with CM102 switch function only.

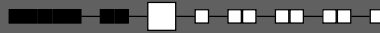
- J6** ROCKER
- J8** ILLUMINATED ROCKER



NOTE: J8 actuator available with CM102 switch function only.

# CM Series Single Pole Power Rocker Switches

## ACTUATOR COLOR



OPTION CODE	ACTUATOR COLOR
2	(STD.) BLACK
1	WHITE
3	RED
R	RED, ILLUMINATED
A	AMBER, ILLUMINATED
G	GREEN, ILLUMINATED

## MOUNTING STYLE/COLOR

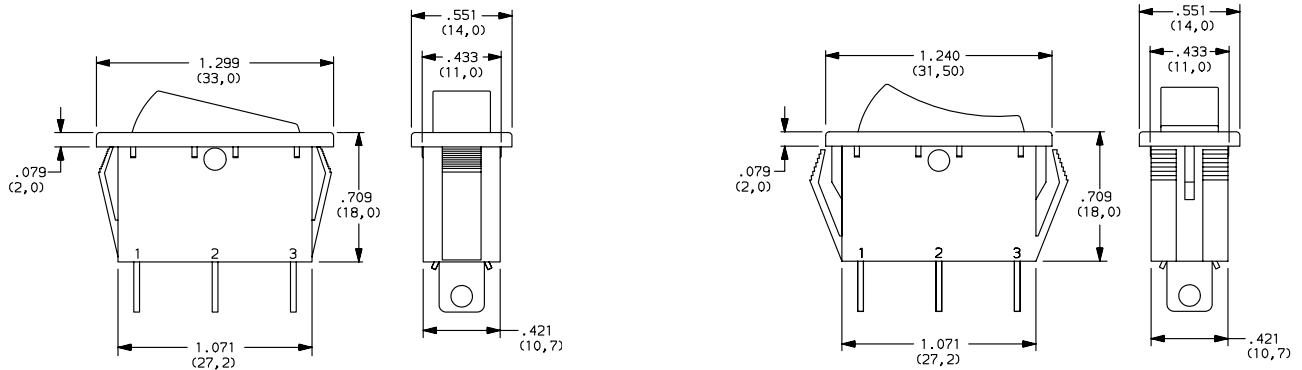


**S2** (STD.) SNAP-IN, BLACK

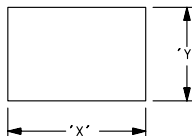
**S4** (STD.) SNAP-IN, BLACK (SHORT FRAME)

**S1** SNAP-IN, WHITE

**S3** SNAP-IN, WHITE



### PANEL MOUNTING



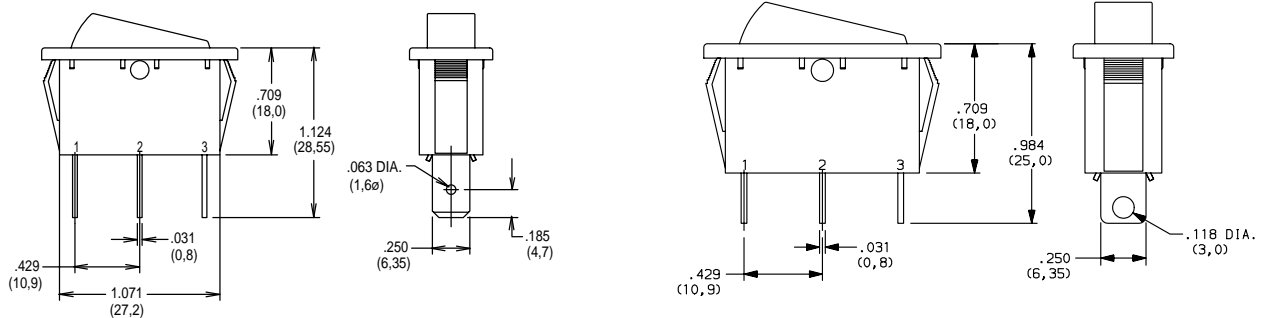
PANEL THICKNESS	"X"	"Y"
0.030-0.049 (0,75-0,25)	1.189-.004 (30,2-0,1)	0.441+.004 (11,2+0,1)
0.049-0.079 (1,25-2,0)	1.197-.004 (30,4-0,1)	0.441+.004 (11,2+0,1)
0.079-0.118 (2,0-3,0)	1.212-.004 (30,8-0,1)	0.441+.004 (11,2+0,1)

## TERMINATION



**05** (STD.) .250" QUICK CONNECT

**07** SOLDER LUG

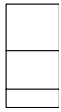


**NOTE:** Available with CM101 & CM102 switch functions only.

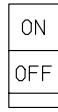
# CM Series Single Pole Power Rocker Switches

## ACTUATOR MARKING

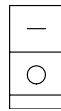
**NONE** (STD.) NO MARKING



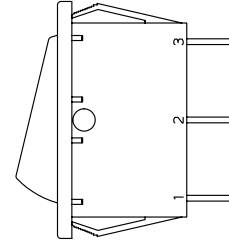
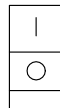
**D** ON-OFF



**H** O-I



**P** O-



**NOTE:** Orientation of actuator marking and terminals.

## CONTACT MATERIAL

OPTION CODE	CONTACT AND TERMINAL MATERIAL	RATINGS	
<b>QA</b> (STD.)	SILVER	POWER	16 AMPS @ 125 VAC; 1/8 HP 10 AMPS @ 250 VAC, 1/3 HP (UL/CSA).

## LAMP RATING

**(NONE)** NO LAMP

**7** 125 VAC 33kΩ NEON

**8** 250 VAC 150kΩ NEON

**NOTE:** Lamp rating for J3 & J8 actuator option.