

TPC Series Tri-direction Scan Switch

Features/Benefits

- One touch, 3 way switching
- Superior tactile feel
- Rotation of actuator closes two individual contacts
- Ultra-low profile housing
- Normally open contacts
- Custom actuator by request

Typical Applications

- Mobile phones, pagers
- PDA
- Handheld electronic devices
- Digital cameras, camcorders
- Communication equipment



Construction

FUNCTION: Multi-directional momentary action
CONTACT ARRANGEMENT: Make contact = SP, N.O.
TERMINALS: Gullwing type for SMT

Mechanical

MAXIMUM ACTUATION FORCE: 40 N (8.8 lbs.) in any direction.
OPERATING FORCE/TRAVEL:

Direction	Actuation Force	Travel
Left	1.0 N ± 0.5	16° ± 2°
Right	1.0 N ± 0.5	16° ± 2°
Select	2.2 N ± 0.75	0.75 mm ± 0.15 (0.030 ± 0.006)

Packaging

Switches are delivered in tape and reels of 2,000 pieces. The reel diameter is 330 mm (12.99). The tape width 24 mm (0.945) conforms to the EIA-RS-481 and EC-2863 norms.

Electrical

MAXIMUM POWER: 1.0 VA
MAXIMUM VOLTAGE: 50 V
MAXIMUM CURRENT DC: 50 mA
MINIMUM CURRENT DC: 1 mA
LOW LEVEL USE: 20mV-1mA
DIELECTRIC STRENGTH: 250 VDC
CONTACT RESISTANCE: ≤ 300 mΩ (select) ≤ 600 mΩ (left & right)
INSULATION RESISTANCE (100 VDC): 10⁹Ω
BOUNCE TIME: < 10 ms

Environmental

OPERATING TEMPERATURE: -40°C to 125°C
STORAGE TEMPERATURE: -55°C to 125°C

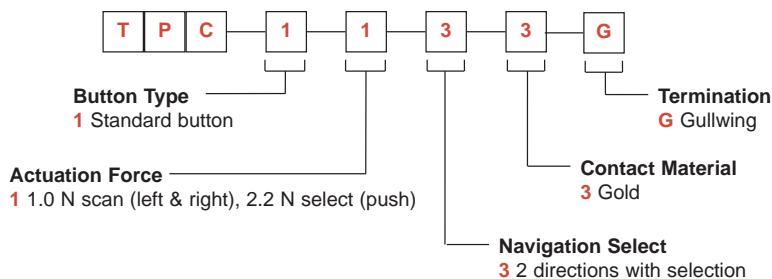
Process

Soldering process: Infrared according to CECC 00802

NOTE: Specifications listed above are for switches with standard options.
For information on specific and custom switches, consult Customer Service Center.

How To Order

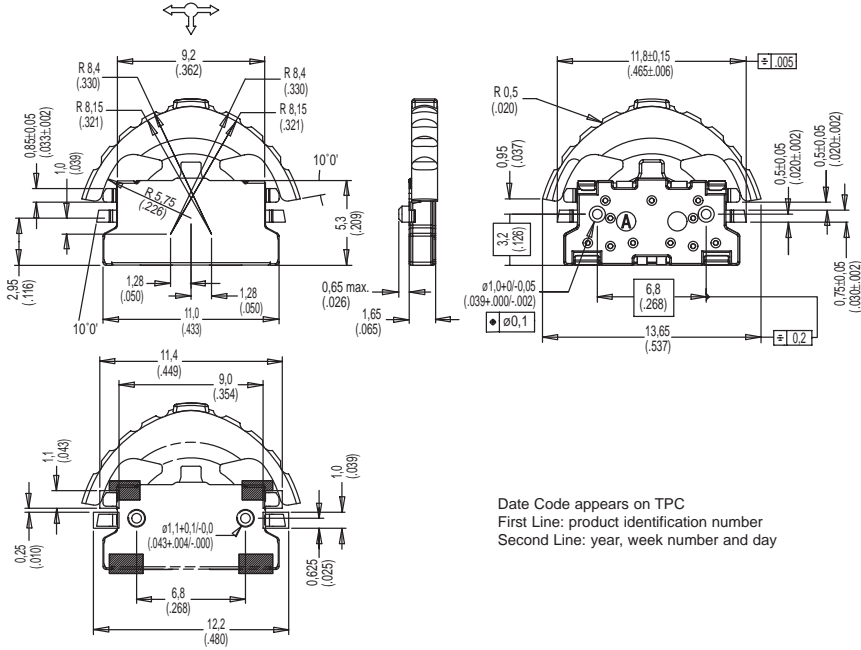
Our easy build-a-switch concept allows you to mix and match options to create the switch you need. To order, select desired option from each category and place it in the appropriate box.



TPC Series Tri-direction Scan Switch

SERIES

TPC



Navigation

BUTTON TYPE

1 STANDARD BUTTON

ACTUATION FORCE

1 1.0N SIDE (left & right), 2.2N SELECT (push)

CONTACT ARRANGEMENT

OPTION CODE	ARRANGEMENT
3	2 DIRECTIONS WITH SELECTION

