



Crocodile Clips

M
I
S
C
E
L
L
A
N
E
O
U
S



CR0005
CR0043



CR0041



CR0007
CR0008



CR0018



CR0025
CR0026
CR0028



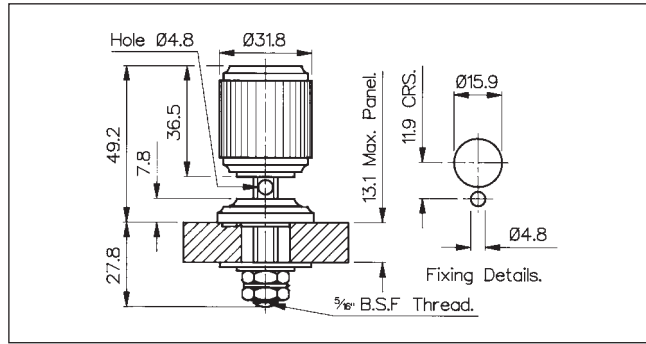
CR0060



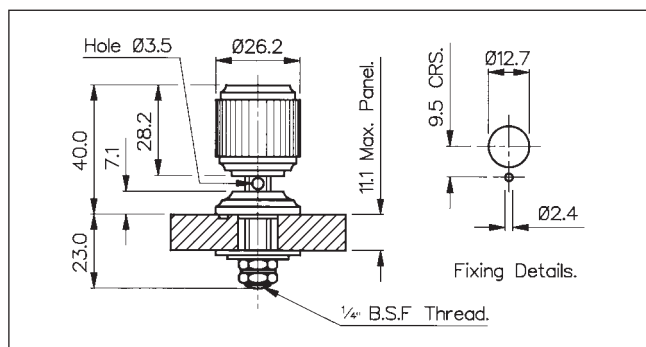
Data	List No.	CR0005, CR0043.	CR0007, CR0008.	CR0018
Type:		General Purpose, non-insulated.	General Purpose with coloured sleeves. CR0007: Red, CR0008: Black.	Heavy Duty, straight jaws.
Max. Rating:		5A.	5A.	25A.
Material:		CR0005 Steel, Bright Zinc Passivated. CR0043 Nickel \Bright Self-Finish.	Clip: Steel, Bright Zinc Passivated. Sleeves: PVC.	Steel, Tin Dipped.
Size:		Overall length 42.0, jaws grip Ø8.4.	Overall length 44.0, jaws grip Ø6.0.	Overall length 58.7, jaws grip Ø12.7.
Data	List No.	CR0025, CR0026, CR0028.	CR0041.	CR0060
Type:		Heavy Duty, curved jaws. CR0025 "-", CR0026 "+", CR0028 unmarked.	Fine Wire Clip.	2 Terminal Clip, for 4 terminal bridge application.
Max. Rating:		25A.	5A.	10A.
Size:		Overall length 58.7 jaws grip Ø14.5 (at point of jaw). Ø19.0 (at centre).	Overall length 42.0.	Overall Length: 42.0. Jaws Grip: Ø8.0.
Material:		Steel, Tin Dipped.	Nickel Silver, Self Finish.	Moulding: Glass Filled Nylon. Contacts: Brass, Silver Plated.



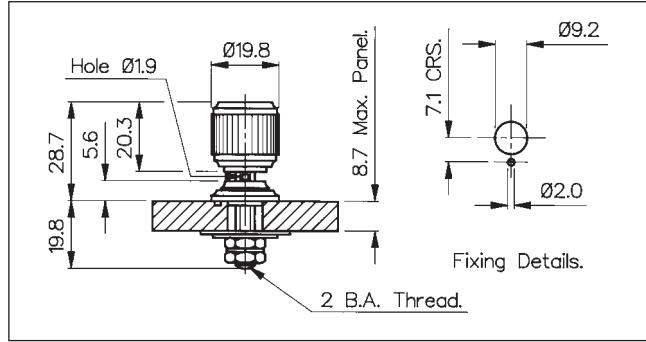
TX0100



TX0101



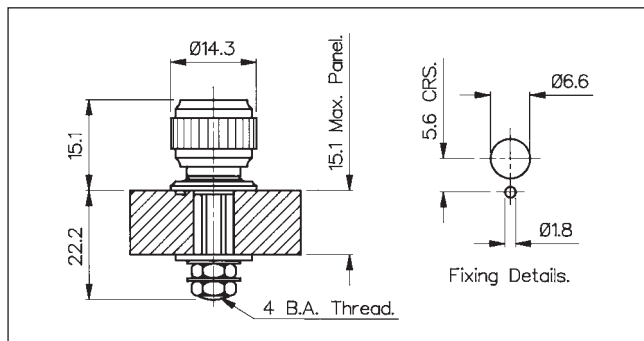
TX0102



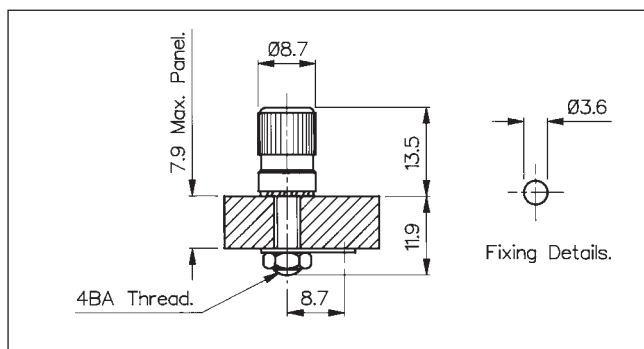
Data	List No.	TX0100	TX0101	TX0102
Type:		Black, non-captive head. Insulated from panel.	Black, non-captive head. Insulated from panel.	Black, non-captive head. Insulated from panel.
Max. Rating:		60A.	30A.	15A.
Breakdown Voltage:		3.5kV a.c. (to panel)	3kV a.c. (to panel)	2kV a.c. (to panel)
Temperature Range:		-20°C to + 60°C.	-20°C to + 60°C.	-20°C to + 60°C.
Material:		Moulding: High Impact Polystyrene. Terminal Head Insert: Brass, Self Finish. Washer Insert: Brass, Nickel Plated.	Moulding: High Impact Polystyrene. Terminal Head Insert: Brass, Self Finish. Washer Insert: Brass, Nickel Plated.	Moulding: High Impact Polystyrene. Terminal Head Insert: Brass, Self Finish. Washer Insert: Brass, Nickel Plated.
Variants:		For Red add /RD to List No.	For Red add /RD to List No.	For Red add /RD to List No.



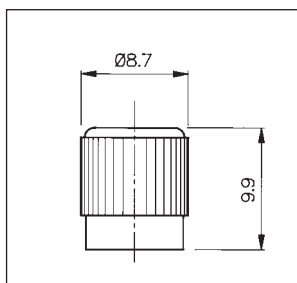
TX0103



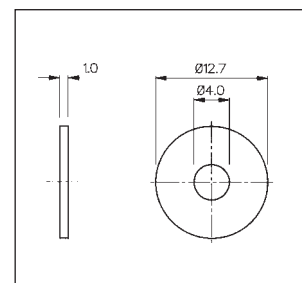
TX0002



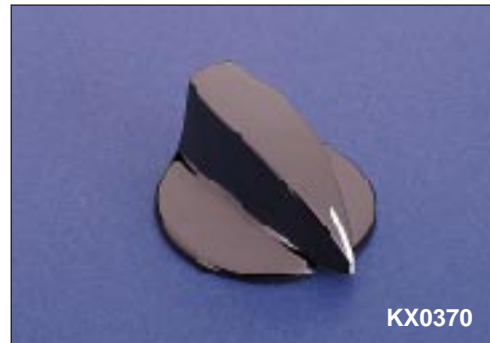
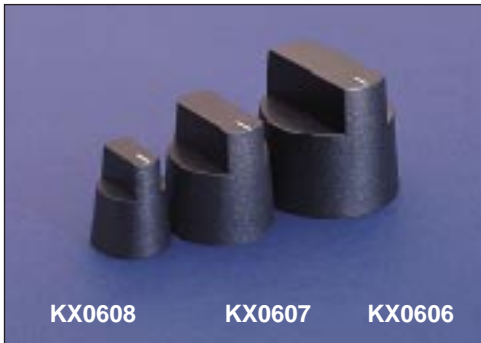
PNo. 268 (BLK)
PNo. 4035 (RED)



PNo. 834



Data \ List No.	TX0103	TX0002	PNo. 268, PNo. 4035
Type:	Black, non-captive head. Insulated from panel.	Black, non-captive head. LIVE to panel.	Moulded terminal head. PNo. 268 - black, 4BA thread. PNo. 4035 - red, 6BA thread.
Max. Rating:	7.5A.	5A.	
Breakdown Voltage:	1kV a.c. (to panel).		
Temperature Range:	-20°C to + 60°C.		
Material:	Moulding: High Impact Polystyrene. Terminal Head Insert: Brass, Self Finish. Washer Insert: Brass, Nickel Plated.	Moulding: Phenolic. Stem and Collar: Brass, Nickel Plated. Tag: Brass, Tin Plated.	Moulding: Phenolic. Insert: Brass, Self Finish.
Variants:	For Red add /RD to List No.	Insulating washer P.No.834 (flat).	



MISCELLANEOUS



Data \ List No.	KX0606	KX0607	KX0608	KX0370	KX0370 & KX0372	
Ø:	14.0	21.0	28.1	31.8	47.6	
Height:	16.5	20.3	24.1	14.3	17.5	
Shaft:	Ø: 6.4 Length: 8.9	Ø: 6.4 Length: 9.3	Ø: 6.4 Length: 22.6	Ø: 6.4 Length: 9.5	Ø: 6.4 Length: 12.8	
Nut Recess:	Ø: 11.0 Depth: 2.4	Ø: 17.5 Depth: 2.8	Ø: 24.5 Depth: 2.8		Ø: 18.3 Depth: 3.2	
Radius to Pointer:				19.8		
Fixing:	Slotted head grub screw. (Allen key to agreed order).					
Mouldings:	Thermoplastic.	Thermoplastic.	Thermoplastic.	Phenolic.	Phenolic.	
Inserts:	Brass, Nickel Plated.	Brass, Nickel Plated.	Brass, Nickel Plated.	Brass, Nickel Plated.	Brass, Nickel Plated.	
Grub Screws:	Steel, Zinc Passivated.	Steel, Zinc Passivated.	Steel, Zinc Passivated.	Steel, Zinc Passivated.	Steel, Zinc Passivated.	
Variants:	Other shafts, colours and indicator lines (/IL) may be available to agreed order.					



Grub Screw & Collet Fixing

M
I
S
C
E
L
L
A
N
E
O
U
S



Certificate No. FM 1582

Data	List No.	KX0107	KX0357				
Ø:							
Height:		12.7	15.9				
Shaft:		Ø: 6.4 Length: 9.5	Ø: 6.4 Length: 11.9				
Nut Recess:		Ø: 14.3 Depth: 1.6	Ø: 15.9 Depth: 2.4				
Radius to Pointer:		15.9	15.9				
Decor Discs:							
Fixing:		Slotted head grub screw. (Allen key to agreed order).					
Mouldings:		Phenolic.	Phenolic.				
Inserts:		Brass, Nickel Plated.	Brass, Nickel Plated.				
Grub Screws:		Steel, Zinc Passivated.	Steel, Zinc Passivated.				
Variants:		Other shafts, colours and indicator lines (/IL) may be available to agreed order.					