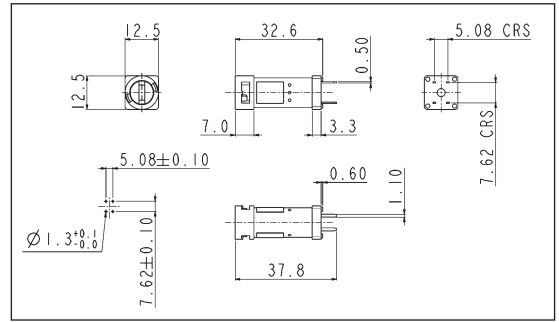


PC Mounting PC2

PC VERTICAL MOUNT



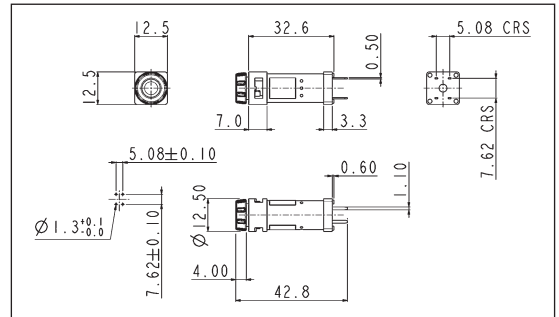
- Protection Category PC2
- Fuse Size 5 x 20mm
- Bayonet cap/Screwdriver Release
- PC Spills
- 10A, 250V



PC VERTICAL MOUNT



- Protection Category PC2
- Fuse Size 5 x 20mm
- Bayonet cap/Hand Release
- PC Spills
- 10A, 250V



| Specification | FX0442 | FX0443 |
|--|---------------------------------|--------------------------|
| Fuse Size: | 5 x 20mm | 5 x 20mm |
| Fuse Carrier: | Bayonet cap/Screwdriver release | Bayonet cap/Hand release |
| Terminations: | PC Spills | PC Spills |
| Max. Rating: | 10A, 250V | 10A, 250V |
| Max. Power Dissipation: | 2.5W (@ Ta 23°C) | 2.5W (@ Ta 23°C) |
| Insulation Resistance: | >10MΩ @ 500V d.c. | >10MΩ @ 500V d.c. |
| A.C. Breakdown: | >2kV | >2kV |
| Contact Resistance: | <10mΩ | <10mΩ |
| Operating Temp: (ambient air temp + fuse temp rise) | -20°C to +85°C | -20°C to +85°C |
| Mouldings: | | |
| Body: | Polyester UL94V-0 rated | Polyester UL94V-0 rated |
| Cap: | Nylon UL94V-0 rated | Nylon UL94V-0 rated |
| Contacts: | Tin plated, copper alloy | Tin plated, copper alloy |
| Approvals: | | |
| RoHS | Compliant | Compliant |

FUSEHOLDERS