

### Features

- Recommended for reflow soldering
- Low profile
- Long operational life
- Bottom and top adjust
- For trimmer applications/processing guidelines, [click here](#)



Model TC88 is **not** recommended for new designs. Model 3382G-1-(RC) is the recommended alternative.

## TC88 - 10 mm SMD Position Sensor

### Electrical Characteristics

Standard Resistance ..... 10K ohms  
 Resistance Tolerance ..... ±30 % std.  
 Linearity ..... ±2.5 % max.  
 Resolution ..... Essentially infinite  
 Adjustment Angle ..... 320 ° ±20 °

### Environmental Characteristics

Power Rating (5 VDC max.)  
 50 °C ..... 0.05 watt  
 Operating Temperature  
 ..... -40 °C to +85 °C  
 Storage Temperature  
 ..... -40 °C to +85 °C  
 Rotational Cycling ..... 100,000 cycles  
 TRS ±15 %

### Physical Characteristics

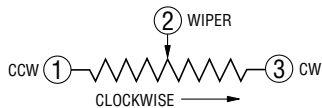
Torque ..... 0.30 gf-cm  
 Mechanical Angle ..... 360 °  
 Standard Packaging  
 ..... 1500 pcs./15 " reel

Aqueous cleaning not recommended.

### How To Order

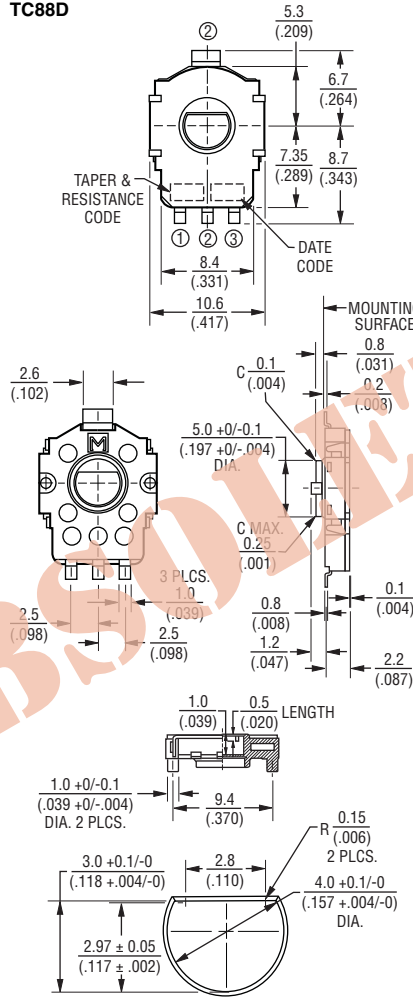
**TC88 D - 1 - 103 E**

Model \_\_\_\_\_  
 Style \_\_\_\_\_  
 Standard Product Indicator  
 -1 = Standard Product Indicator  
 Resistance Code \_\_\_\_\_  
 Embossed Tape Designator \_\_\_\_\_  
 E = 1500 pcs./15 " Reel (Standard)

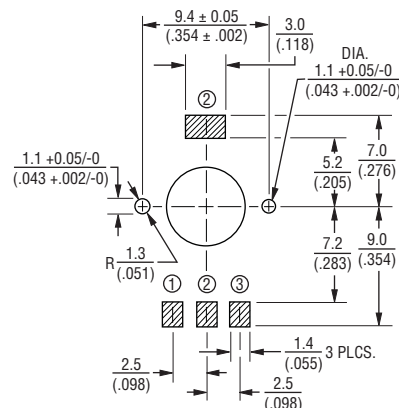


### Product Dimensions

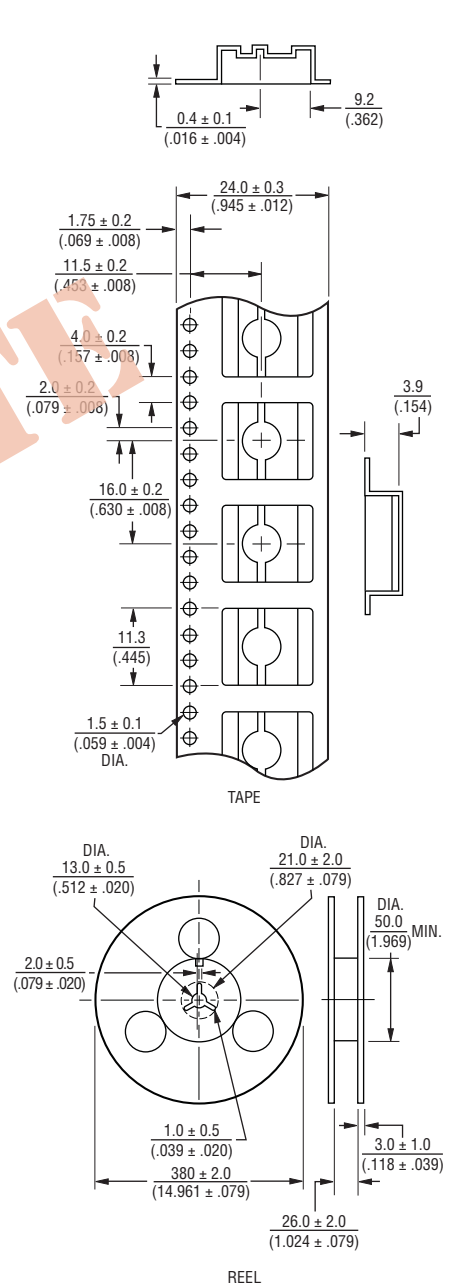
TC88D



### Recommended Land Pattern



### Packaging Specifications



DIMENSIONS:  $\frac{\text{MM}}{\text{(INCHES)}}$

TOLERANCES: ±  $\frac{0.3}{(.012)}$  EXCEPT WHERE NOTED