



## Features

- Shielded construction
- 4K Vrms isolation
- 1:3 CT turns ratio
- 3.3 V input to 5 V output
- RoHS compliant\*

## Applications

- Power supplies
- EXAR SP3232E transceiver

# SM51384L - High Voltage Isolation Power Transformer

### Electrical Specifications

Inductance 1-3  
(100 KHz, 0.1 Vrms)  
..... 215  $\mu$ H  $\pm$ 30 %

DCR  
1-3 ..... 0.7 ohms max.  
6-4 ..... 1.8 ohms max.

Turns Ratio  
1-3 / 6-4 ..... 1:3CT  $\pm$ 5 %

Voltage  
1-3 / 6-4 ..... 3.3 V / 5 V

Volt-time Product ..... 22 V $\mu$ S typ.

Hi-Pot ..... 1-6, 4K Vrms, 1 mA, 2 sec.

### General Specifications

Operating Temperature ..... -40 to +95 °C

Storage Temperature ..... -40 to +125 °C

Resistance to Solder Heat  
..... +250 °C for 10 sec.

### Materials

Core ..... Ferrite

Wire ..... Enameled copper

Terminal Finish ..... Sn

### Packaging Specifications

Tape & Reel ..... 350 pcs./13 inch reel

### How To Order

**SM51384 E L**

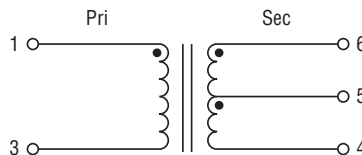
Model \_\_\_\_\_

Tape & Reel Packaging \_\_\_\_\_

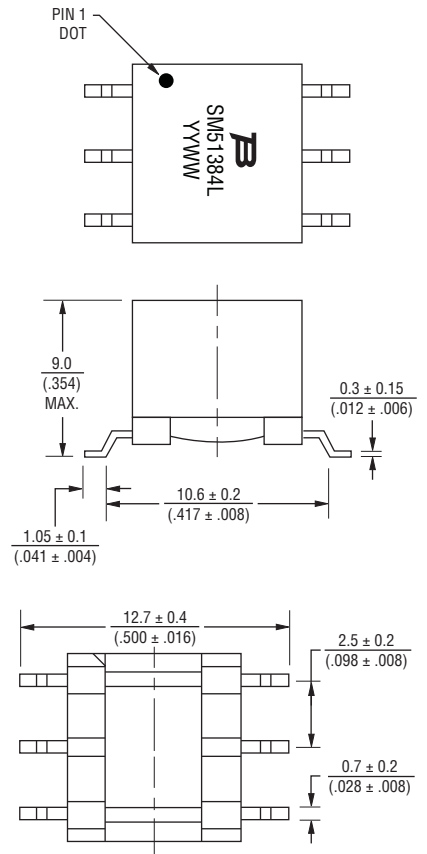
Termination \_\_\_\_\_

L = RoHS compliant

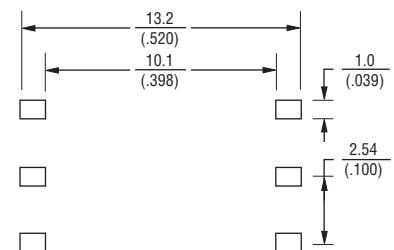
### Electrical Schematic



### Product Dimensions



### Recommended Layout



DIMENSIONS:  $\frac{\text{MM}}{\text{(INCHES)}}$

# BOURNS®

Asia-Pacific: Tel: +886-2 2562-4117 • Fax: +886-2 2562-4116

Europe: Tel: +41-41 768 5555 • Fax: +41-41 768 5510

The Americas: Tel: +1-951 781-5500 • Fax: +1-951 781-5700

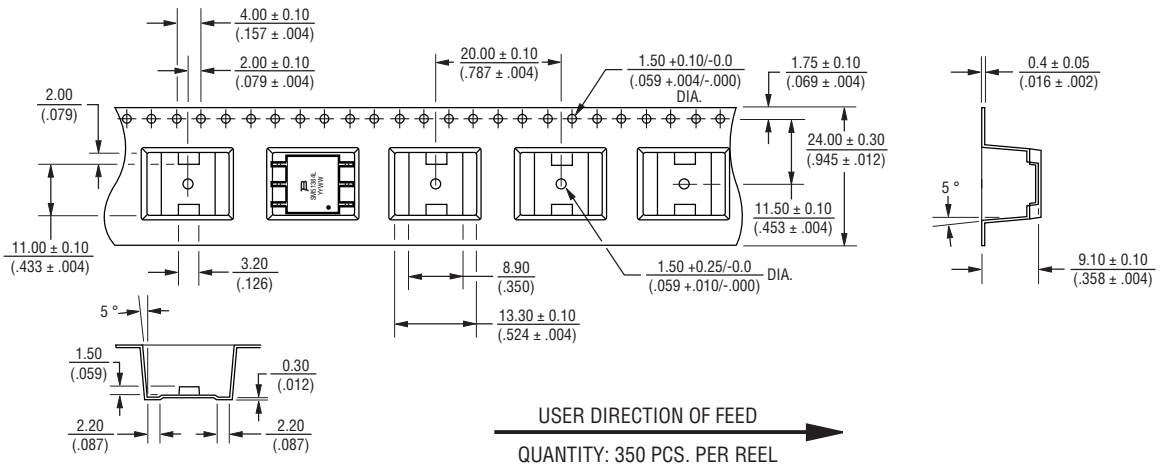
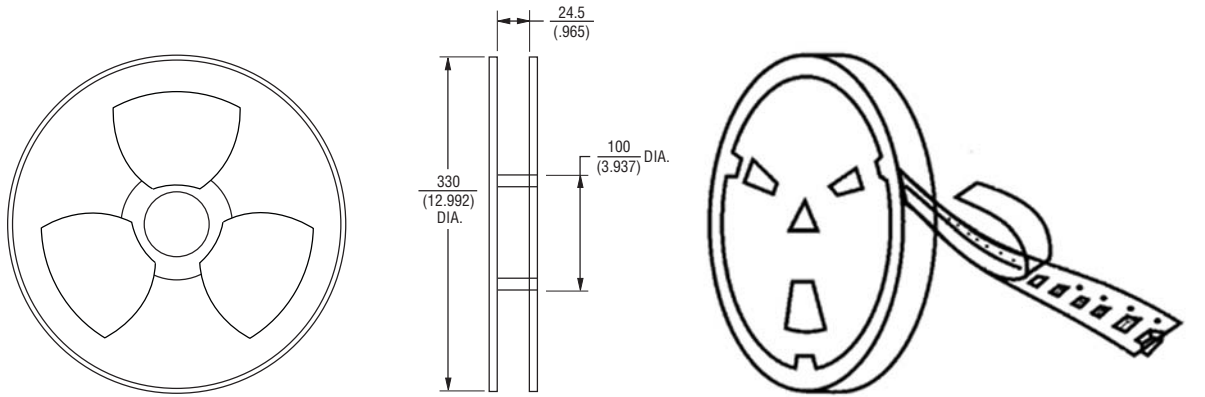
[www.bourns.com](http://www.bourns.com)

\*RoHS Directive 2002/95/EC Jan. 27, 2003 including annex and RoHS Recast 2011/65/EU June 8, 2011.  
Specifications are subject to change without notice.  
Customers should verify actual device performance in their specific applications.

# SM51384L - High Voltage Isolation Power Transformer

**BOURNS®**

## Packaging Specifications



DIMENSIONS:  $\frac{\text{MM}}{\text{(INCHES)}}$