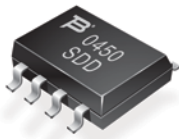


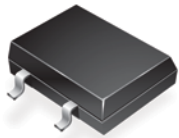
# Ethernet

## Power Over Ethernet (PoE)

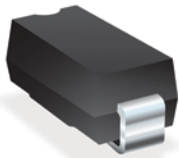
### Solution Products



CDNBS08-PLC03-3.3



CDNBS04-B08200



SMBJ58A



MF-SMDF050

### Design Kit



PN-DESIGNKIT 2

### Objective

Power over Ethernet (PoE) interfaces combine two Vp-p differential signals and nominal 48 VDC power. This solution provides protection for both the data and power signals.

### Solution

- 2 TVS Diode Arrays: CDNBS08-PLC03-3.3
- 2 Rectifier Diode Arrays: CDNBS04-B08200
- 1 Discrete TVS Diode: SMBJ58A
- 1 Multifuse® PTC: MF-SMDF050

### Compliance

IEEE802.3af and IEEE802.11af  
IEC 61000-4-2 Level 4 (8 kV / 15 kV)

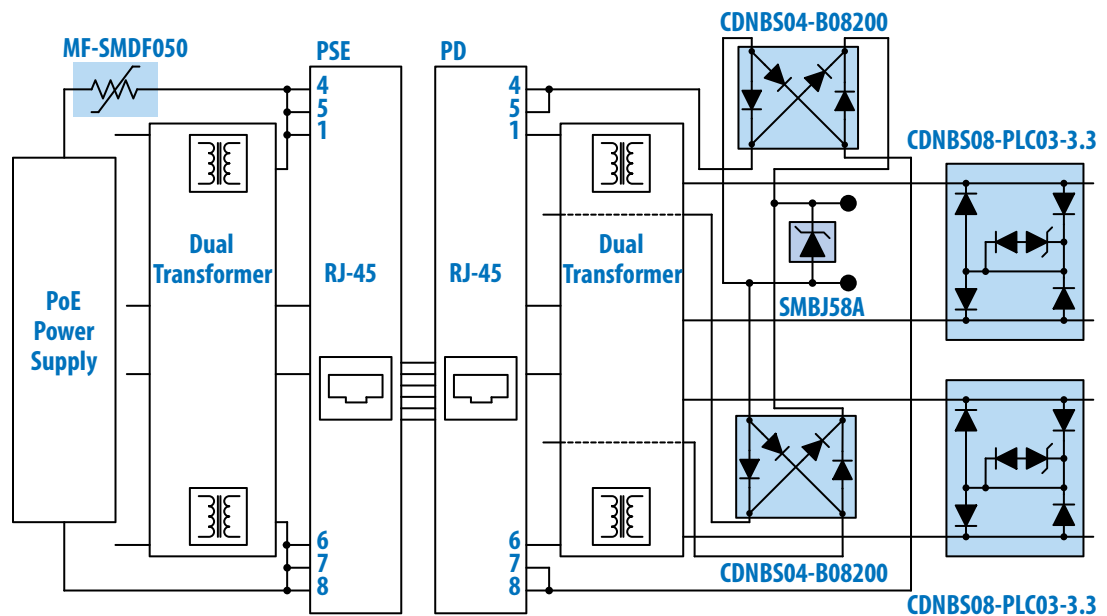
### Alternate Recommendations

Other PortNote™ Solutions:

- Ethernet - ESD Protection
  - Ethernet - Power Contact and Surge Protection
- Contact Bourns for PoE+ or Gbit PoE ports.

### Benefit

This solution provides protection for PoE without impairing the Ethernet signal.



The schematic above illustrates the application protection and does not constitute the complete circuit design. Customers should verify actual device performance in their specific applications.