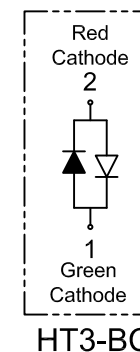
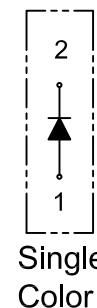
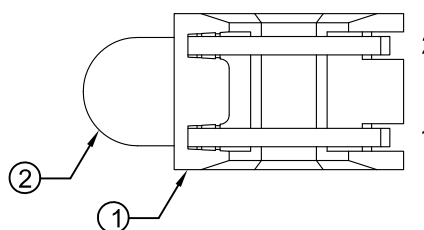
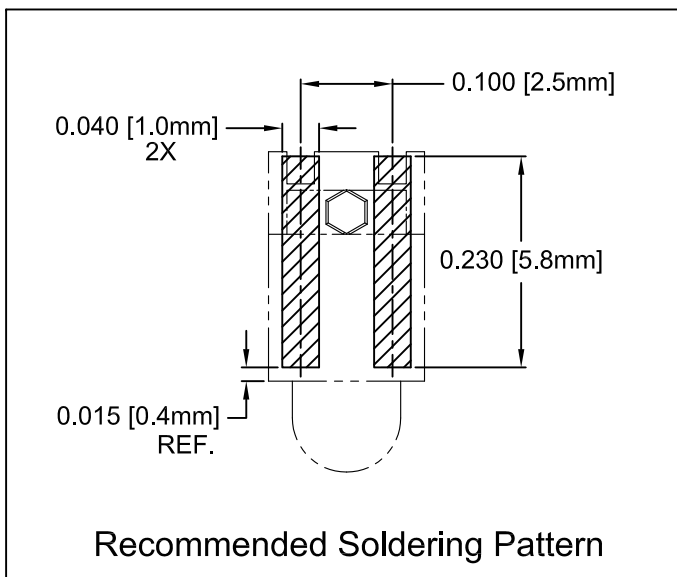
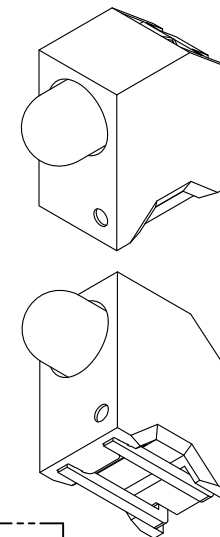
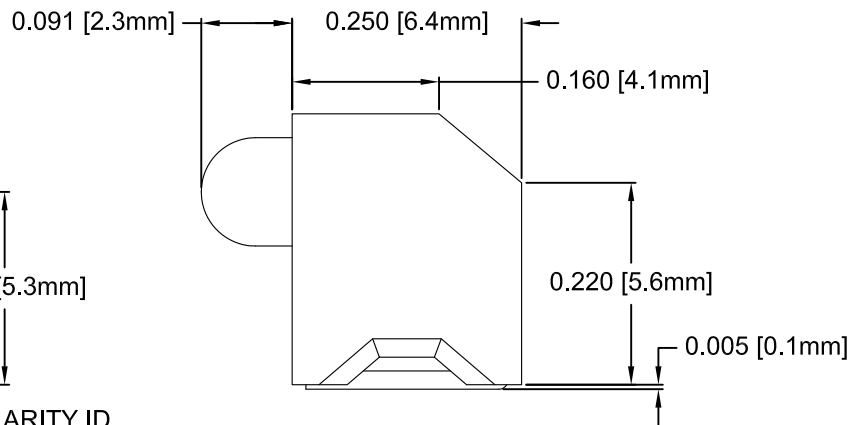
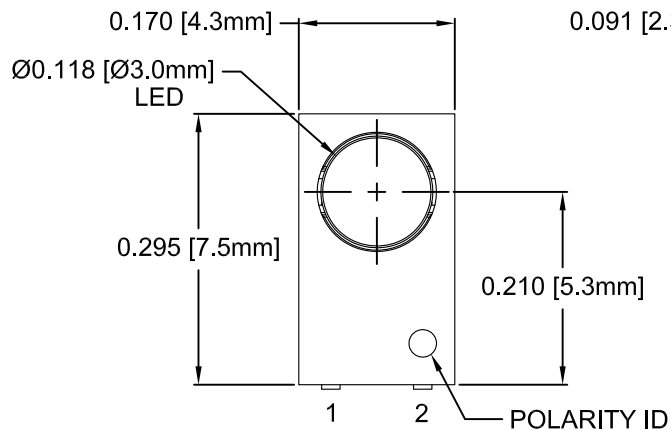


ITEM	Q'TY	PART NUMBER	PART DESCRIPTION
1	1	HT3	T1 (3mm) High Temperature Single Level Holder, 90° Mount
2	1	BDL-XXXX	T1 (3mm) N-Flange LED, See Page 2

REV.	DESCRIPTION	DATE	APPROVED
B	Engineering Release	04/19/11	T. Y.



ABSOLUTE MAXIMUM RATINGS (Ta=25° C)

REVERSE VOLTAGE	5V
REVERSE CURRENT	100uA
OPERATING TEMPERATURE RANGE	-25° C - 85° C
STORAGE TEMPERATURE	-30° C - 100° C
LEAD SOLDERING TEMPERATURE (1/16" FROM BODY)	260° C FOR 5 SECONDS

STANDARD TOLERANCE (UNLESS OTHERWISE SPECIFIED)			TITLE: T1 (3mm) SMT 90° SURFACE MOUNT LED
DECIMALS	ANGULAR		
.X ± .1	X° ± 1°		
.XX ± .02		PART NO: HT3-XXX REVISION: B	
.XXX ± .010		DESIGNED: Raffy Paje DATE: 03/09/10	CAGE CODE: 32559 SHEET # 1 OF 2
		CHECKED: T. Yin DATE: 03/09/10	CAD GENERATED DOCUMENT, DO NOT MEASURE DRAWING.

BIVAR®

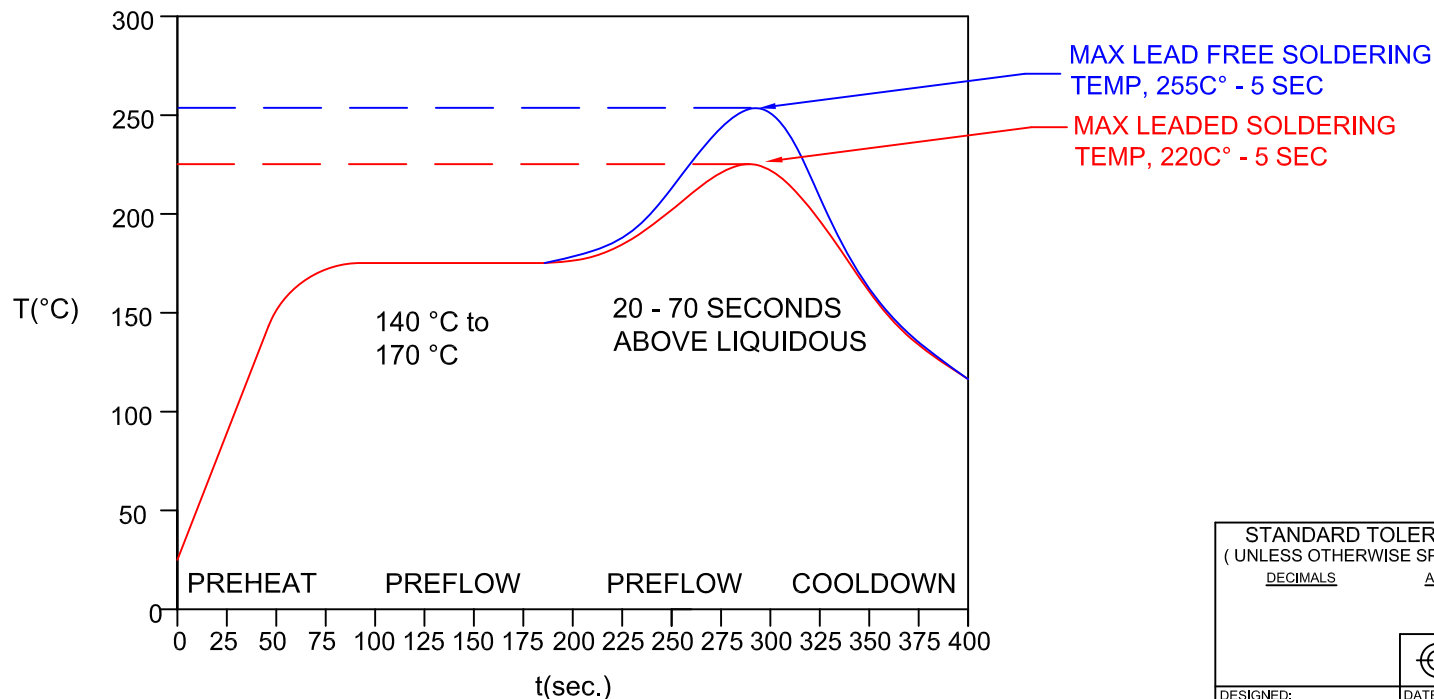
4 THOMAS, IRVINE, CA. 92618
TEL: (949) 951-8808 FAX: (949) 951-3974

REV.	DESCRIPTION	DATE	APPROVED
	SEE SHEET #1		

AVAILABLE CONFIGURATIONS

Assy P/N	Emitted Color	Peak Wave Length λ_p (nm)	Lens Appearance	Absolute Max. Ratings			Vf (V)		Iv (mcd)	Viewing Angle 2 $\theta_{1/2}$ (Deg)	LED P/N
				Pd (mW)	If (mA)	Peak If (mA)	TYP	MAX	TYP		
STANDARD SINGLE COLOR LED ASSEMBLIES (20mA)											
HT3-BLU	BLUE	430	DIFFUSED	150	25	70	4.0	4.5	10	40	BDL-1358
HT3-GRN	GREEN	568		80	30	150	2.1	2.8	25	40	BDL-1355
HT3-RED	HE RED	625		80	30	150	2.0	2.8	30	40	BDL-1356
HT3-YEL	YELLOW	590		85	30	150	2.0	2.8	20	40	BDL-1357
STANDARD BI-COLOR LED ASSEMBLIES (20mA)											
HT3-BC	RED	625	WHITE DIFFUSED	80	30	150	2.0	2.8	6	45	BDL-1351
	GREEN	568		80	30	150	2.1	2.8	6		

CONVECTIVE REFLOW SOLDERING PROFILE



NOTES:
1. ADDITIONAL LED OPTICAL / ELECTRICAL DATA AVAILABLE @ WWW.BIVAR.COM.

STANDARD TOLERANCE (UNLESS OTHERWISE SPECIFIED) DECIMALS ANGULAR		BIVAR [®] 4 THOMAS, IRVINE, CA. 92618 TEL: (949) 951-8808 FAX: (949) 951-3974	
		T1 (3mm) SMT 90° SURFACE MOUNT LED	
DESIGNED: Raffy Paje	DATE: 03/09/10	PART NO: HT3-XXX	REVISION: B
CHECKED: T. Yin	DATE: 03/09/10	CAGE CODE : 32559	SHEET # 2 OF 2
CAD GENERATED DOCUMENT, DO NOT MEASURE DRAWING.			