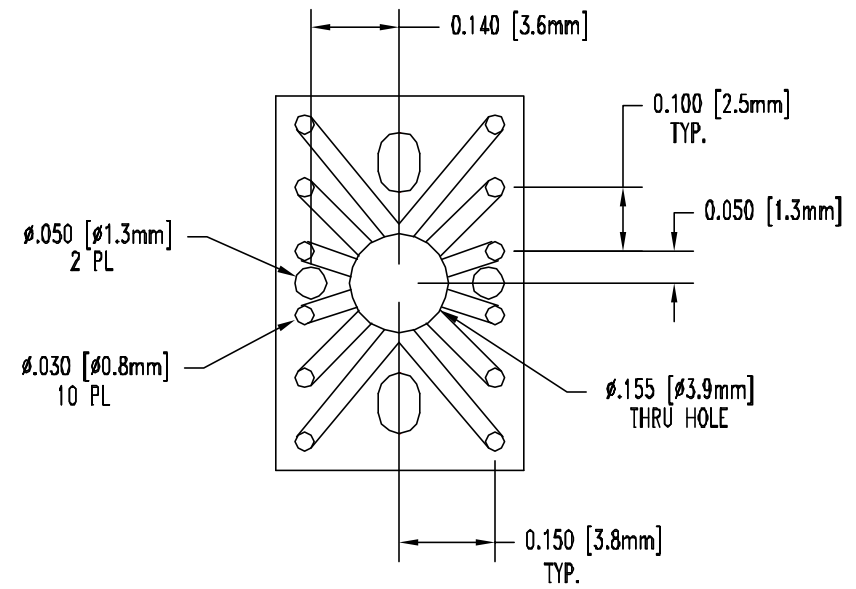
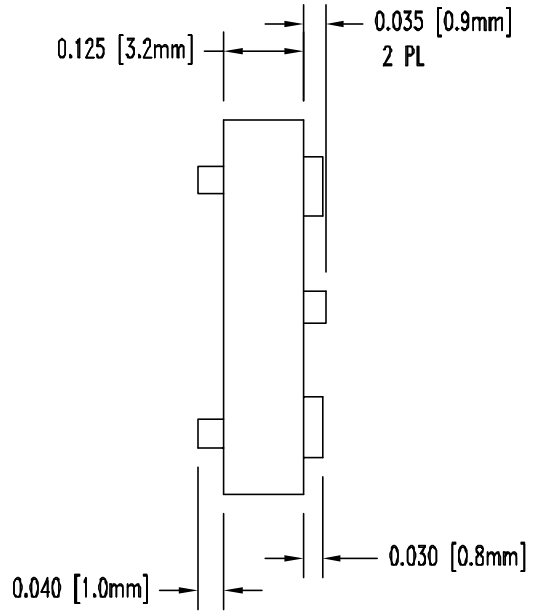
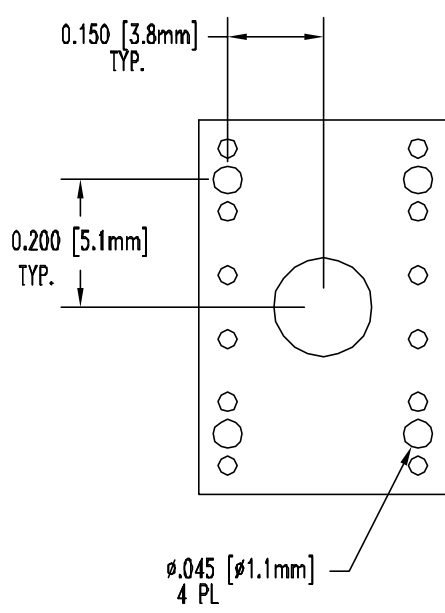



| REV | DESCRIPTION          | DATE     | APPROVED |
|-----|----------------------|----------|----------|
| A   | ENGINEERING RELEASE. | 05/30/03 | MC       |
|     |                      |          |          |



2. MATERIAL: NYLON 6/6, 94V-2, NATURAL. (0% REGRIND ALLOWED)  
 BASF ULTRAMID NYLON 6/6 A3K NATURAL. BIVAR MATERIAL CODE 03-NL.
1. GENERAL SPECIFICATIONS: BIVAR MOLDED COMPONENT SPECIFICATION BV00-E101.

| UNLESS OTHERWISE SPECIFIED:<br>DIMENSIONS ARE IN INCHES |          | <br><b>4 THOMAS, IRVINE, CA.92618</b><br>TEL: (949) 961-8808 FAX: (949) 961-3874 |  |
|---|----------|---|--|
| TOLERANCES  |          |   |  |
| DECIMALS  | ANGULAR  | PART NAME: IC SPREADER 10 PIN<br>SIZE A DWG NAME DWG NO. 812-187 REV A<br>SCALE 1=1 CAGE CODE 32559 SHEET 1 OF 1  |  |
| .X ± .1   | ° ± 1°   |   |  |
| .XX ± .01   |          |   |  |
| .XXX ± .005   |          |   |  |
| DESIGNER  | DATE     |   |  |
| DAVID GREEN   | 05/30/03 |   |  |
| CHECKER   | DATE     |   |  |
| M CHEN  | 05/30/03 |   |  |