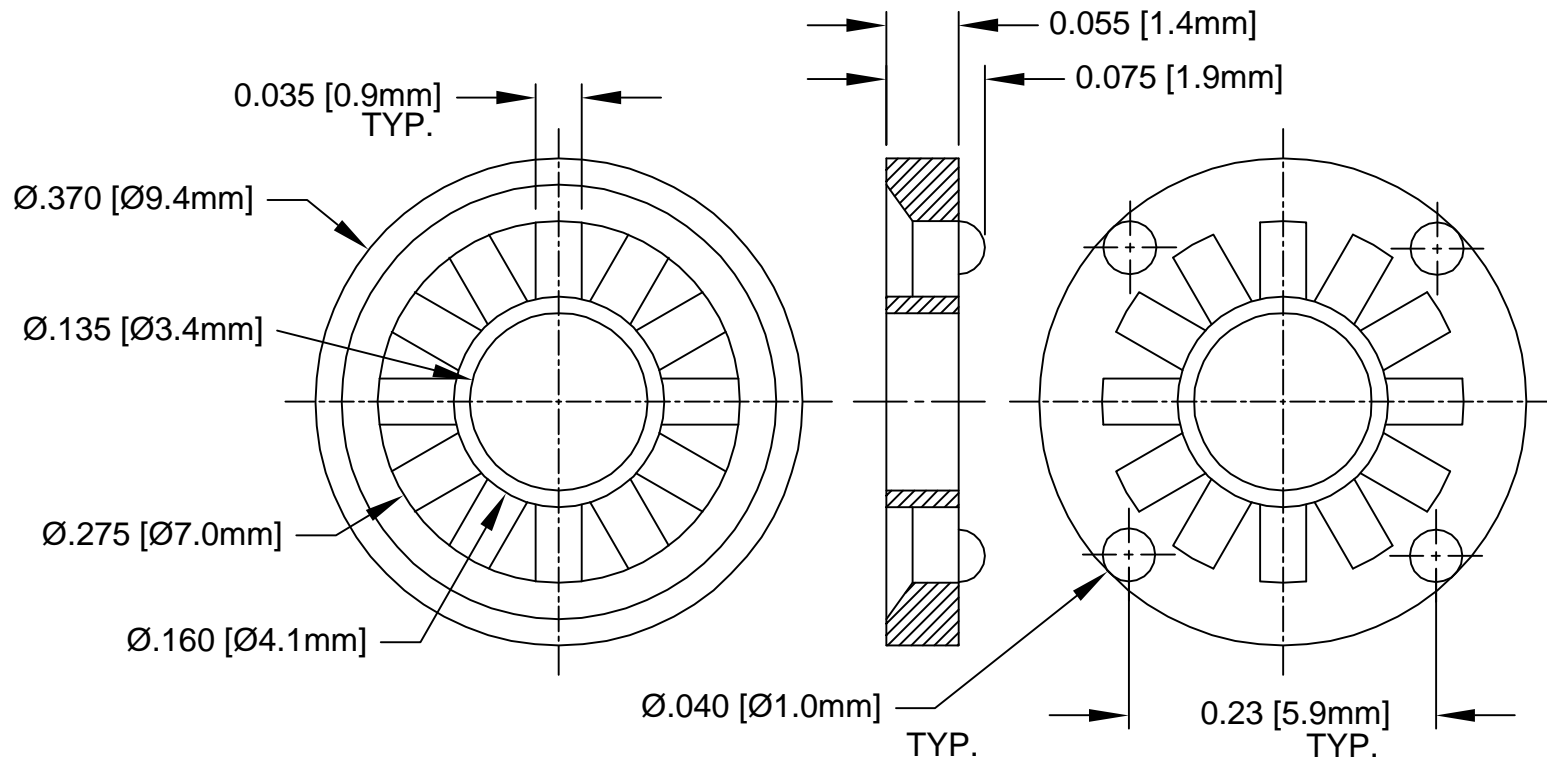


| REV. | DESCRIPTION | DATE | APPROVED |
|------|--------------------------------|----------|----------|
| A | Engineering Update w/o Changes | 02/23/04 | M. C. |
| | | | |
| | | | |
| | | | |



2. MATERIAL: NYLON 6/6, 94V-2, NATURAL. BIVAR MATERIAL CODE 03-NL.
BASF ULTRAMID NYLON 6/6 A3K NATURAL.
1. GENERAL SPECIFICATIONS: BIVAR MOLDED COMPONENT SPECIFICATION BV00-E101.

| | | | | | |
|--|---------|--|--|---|---|
| STANDARD TOLERANCE (UNLESS OTHERWISE SPECIFIED) | | 4 THOMAS, IRVINE, CA. 92618 TEL: (949) 951-8808 FAX: (949) 951-3974 | | | |
| DECIMALS | ANGULAR | | | | |
| .X ±.1 | X° ± 1° | TITLE: PERM-O-PAD IC MOUNT | | | |
| .XX ±.01 | | | | | |
| .XXX ±.005 | | DESIGNED: Sam Dagher CHECKED: E. Muldoon | DATE: 06/09/92 DATE: 06/09/92 | PART NO: 607-075 CAGE CODE : 32559 | REVISION: A SHEET # 1 OF 1 |
| CAD GENERATED DOCUMENT, DO NOT MEASURE DRAWING. | | | | | |