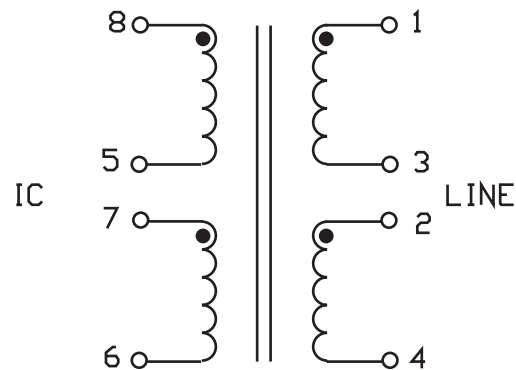


# SHDSL MAGNETICS

S560-6600-JE

## SCHEMATIC



UNBALANCE DC CURRENT: 60mA

INSERTION LOSS: 0.6 dB MAX @ 100KHZ

LONGITUDINAL BALANCE: 52 dB MIN  
20kHz TO 300kHz PER ITU METHOD (L->M)

HARMONIC DISTORTION: -76 dB MAX  
4 Vrms @ 5kHz, SOURCE, LINE SIDE  
WITH  $R_s = 135\Omega$  AND  $R_{LOAD} = 603\Omega$  AT IC SIDE

OPERATING TEMPERATURE RANGE: -40°C TO +85°C

## ELECTRICAL CHARACTERISTICS (@25°C)

NOMINAL TURNS RATIO:  
(1-4) : (8-6) 0.472 : 1  
CONNECT TERMINALS 2 TO 3 & 5 TO 7

DC RESISTANCE:  
(1-4) 8.0  $\Omega$  MAX  
(8-6) 36.0  $\Omega$  MAX  
CONNECT TERMINALS 2 TO 3 & 5 TO 7

INDUCTANCE @ 10 kHz, 0.1 Vrms:  
(1-4) @ 0AMP DC & 20 mA DC 3.2 mH  $\pm 7\%$   
CONNECT TERMINALS 2 TO 3

MAXIMUM LEAKAGE INDUCTANCE:  
(1-4) 16.5  $\mu$ H  
CONNECT TERMINALS 2 TO 3 & 5 TO 7  
SHORT TERMINALS 5, 6, 7 & 8

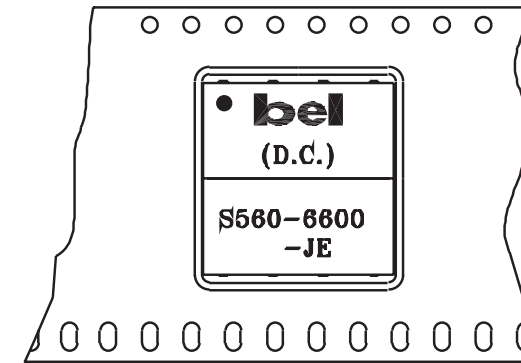
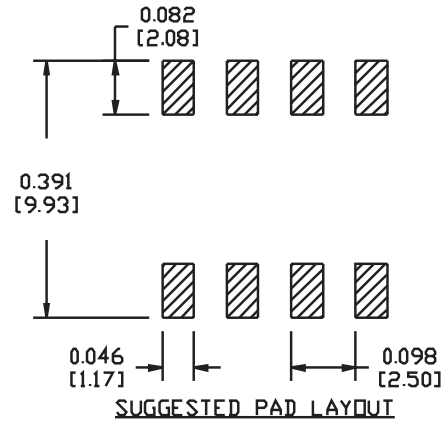
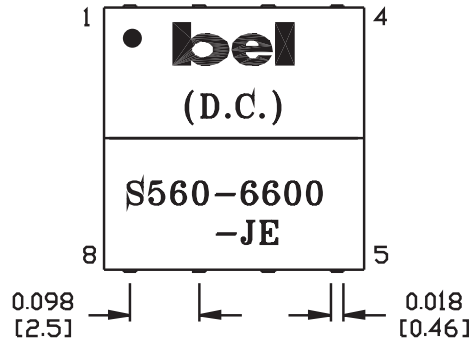
MAXIMUM INTERWINDING CAPACITANCE:  
(1-4) 300 pF  
CONNECT TERMINALS 2 TO 3 & 5 TO 7

MINIMUM DIELECTRIC RATING:  
BETWEEN (1-4) & (8-6) 1500 Vrms  
CONNECT TERMINALS 2 TO 3 & 5 TO 7  
BETWEEN (1-3) & (2-4) FOR 1 MINUTE 600 Vrms

DESIGNED TO COMPLY WITH UL-1950, EN60950 WITH BASIC INSULATION AND 250 VOLT WORKING VOLTAGE.  
UL-FILE # E150991 BAPT CERTIFICATE # NC/011825

## SHDSL MAGNETICS

S560-6600-JE



ORIENTATION OF COMPONENT INSIDE POCKET

TAPE WIDTH	24MM
POCKET PITCH	20MM
QUANTITY OF COMPONENTS PER REEL	200
PLASTIC REEL OUTER DIAMETER	13 INCHES
PLASTIC REEL HUB DIAMETER	4 INCHES

