

Octane & G24 ADSL Annex A/C/H

Conexant



S560-6600-JA

- Designed to meet the requirements of UL1950 and EN60950 basic insulation with 250 VAC working voltage
- UL file number E169987, BABT certificate number NC011559, CB certificate number 14210
- Minimum interwinding breakdown voltage of 1875 Vrms for 1 minute between line and IC
- Minimum interwinding breakdown voltage of 600 Vrms for 1 minute between pins 1 and 2
- Operating and storage temperature range: -40° to +85° C
- Meets IEC 695, 2-2 flammability requirements
- PWB Process Capability: standard printed wiring board assembly techniques, total-immersion cleaning
- Reliability testing: shock, vibration, temperature cycling, temperature - humidity - bias
- All specifications must be met for any DC unbalance current up to 100mA max in the line side

ELECTRICAL SPECIFICATIONS AT 25° C

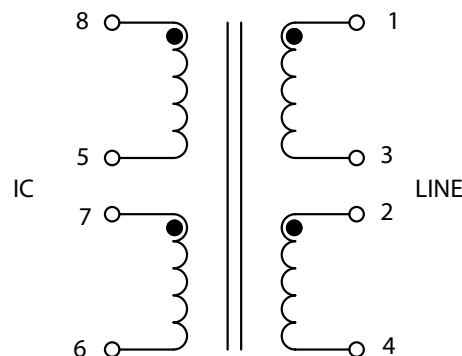
Part Number	Turns Ratio ±2%	Inductance ¹ µH ±6.7%	Leakage Inductance ² µH	DCR Ω max		Interwinding Capacitance ³ pF max	Longitudinal Balance ⁴ dB max	Harmonic Distortion ⁴ dB max
	Line : IC	(1 - 4)	(1 - 4)	IC Side	Line Side	Line : IC	20kHz - 2.2MHz	12Vpp 150kHz
S560-6600-JA	0.95 : 1	750	6 -10	1.5	1.5	20	-45	-85

All measurements are made with pin 2 connected to pin 3 and pin 5 connected to pin 7 except for breakdown voltage between pin 1 and 2.

1. Inductance measured at 10 kHz, 0.1 Vac
2. Leakage inductance measured at 100 kHz, 0.1 Vac
3. Interwinding capacitance measured at 10 kHz, 1.0 Vac
4. Measured with line impedance of 100 Ω and IC impedance of 110.8 Ω

SCHEMATIC

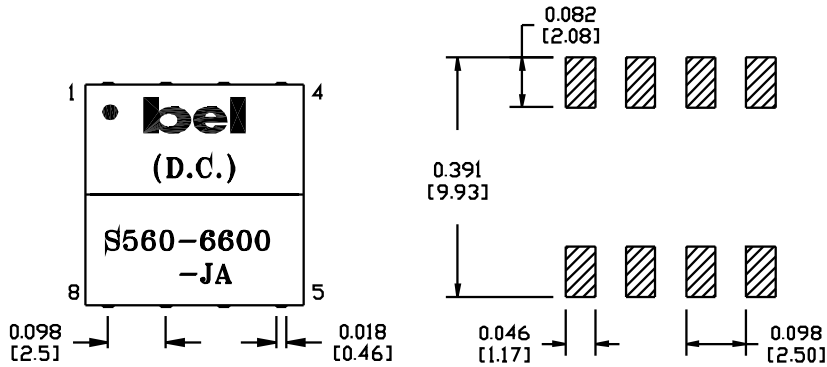
S560-6600-JA



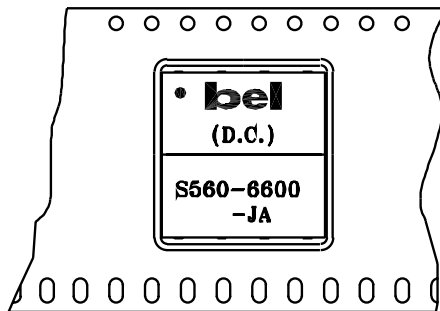
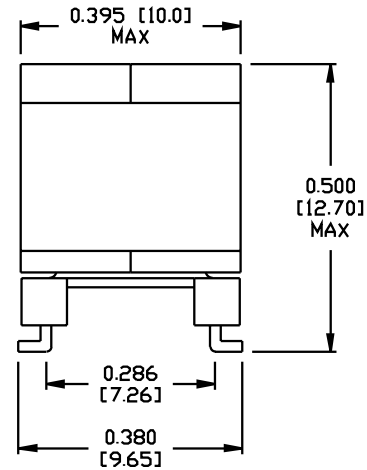
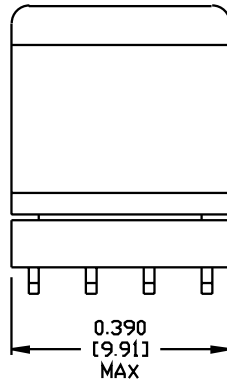
S560-6600-JA

MECHANICAL

S560-6600-JA



SUGGESTED PAD LAYOUT



Tape and Reel Packaging

24 mm wide by 20 mm pitch; 13 inch OD, 4 inch ID
200 components per reel, maximum
Meets ANSI/EIA 481-2 Carrier Tape Standards

©2004 Bel Fuse Inc. Specifications subject to change without notice. 12.04

CORPORATE

Bel Fuse Inc.
206 Van Vorst Street
Jersey City, NJ 07302
Tel 201-432-0463
Fax 201-432-9542
www.belfuse.com

FAR EAST

Bel Fuse Ltd.
8F / 8 Luk Hop Street
San Po Kong
Kowloon, Hong Kong
Tel 852-2328-5515
Fax 852-2352-3706
www.belfuse.com

EUROPE

Bel Fuse Europe Ltd.
Preston Technology Management Centre
Marsh Lane, Suite G7, Preston
Lancashire, PR1 8UD, U.K.
Tel 44-1772-556601
Fax 44-1772-888366
www.belfuse.com