

10/100BASE-T LAN MAGNETICS

Quad Transformer Modules

LM00402

- Quad, four-port designs optimize board layout for single row and dual stack RJ-45 connectors
- Tested for use with multiple 10/100 Mbps and 100 Mbps PHY transceivers requiring 1CT : 1CT TX and 1 : 1 RX transformers
- Operating temperature 0° to 70° C
- Meets all IEEE 802.3 standards including 350µH with 8mA DC bias
- Low profile, surface mount packaging rated to 225° C peak IR reflow temperature
- Minimum interwinding breakdown voltage of 1500 Vrms

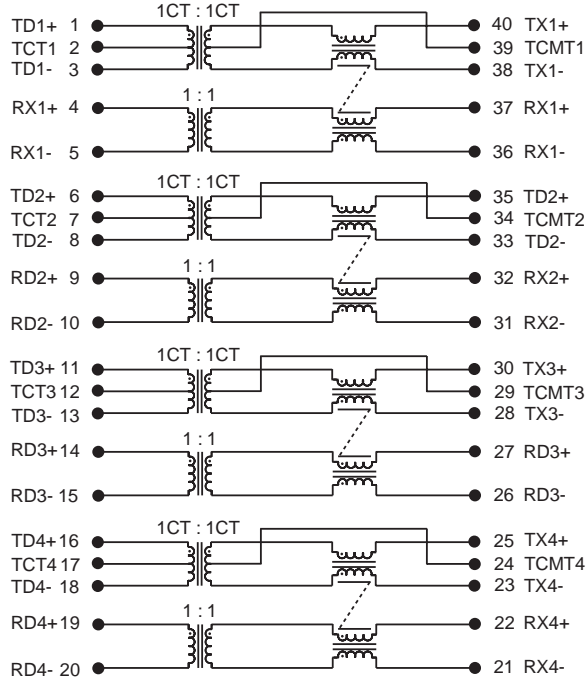
ELECTRICAL SPECIFICATIONS AT 25° C

Part Number	Insertion Loss dB max	Return Loss dB min				Common to Differential Mode Rejection dB min	Common to Common Mode Rejection dB min	Crosstalk dB min			
		100kHz to 100MHz	100kHz to 30MHz	30MHz to 60MHz	60MHz to 80MHz			100kHz to 100MHz		1MHz	30MHz
S558-5999-74	-1.0	-18	18 - 13log (f/30MHz)	-12	-40	-30	-65	-55	-45	-35	
S558-5999B47	-1.0	-18	18 - 13log (f/30MHz)	-12	-40	-30	-65	-55	-45	-35	
S558-5999-C0	-1.0	-18	18 - 13log (f/30MHz)	-12	-40	-30	-65	-55	-45	-35	
S558-5999-E5	-1.0	-18	18 - 13log (f/30MHz)	-12	-40	-30	-65	-55	-45	-35	
S558-5999-J5	-1.0	-18	18 - 13log (f/30MHz)	-12	-40	-30	-65	-55	-45	-35	
S558-5999-L4	-1.0	-18	18 - 13log (f/30MHz)	-12	-40	-30	-65	-55	-45	-35	
S558-5999-N7	-0.9	-20	-17	-15	-40	-30	-65	-50	-40	-38	
S558-5999-F8	-0.9	-20	-17	-15	-40	-30	-65	-50	-40	-38	
S558-5999-Z9	-0.9	-16	16 - 20log (f/30MHz)	-10	-35	-30	-65	-50	-40	-35	

LM00402

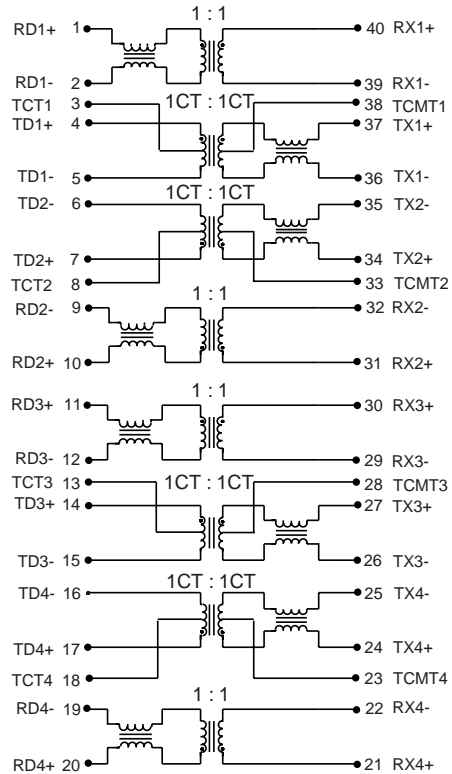
SCHEMATICS

S558-5999-74

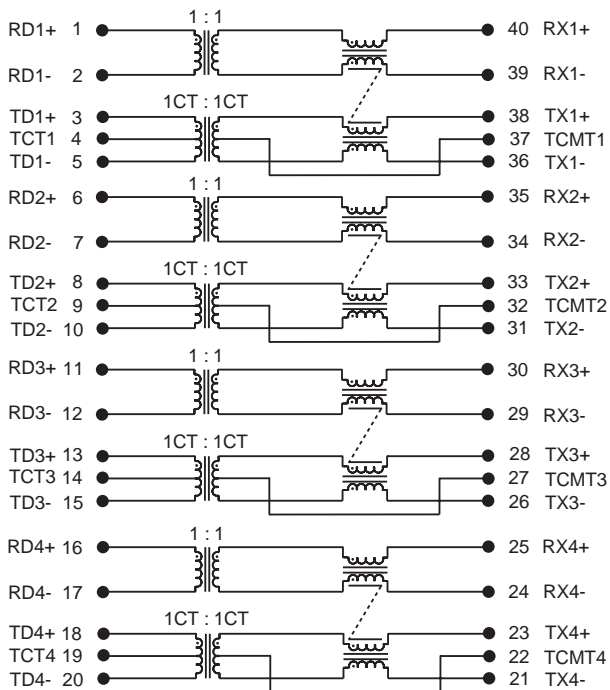


S558-5999B47

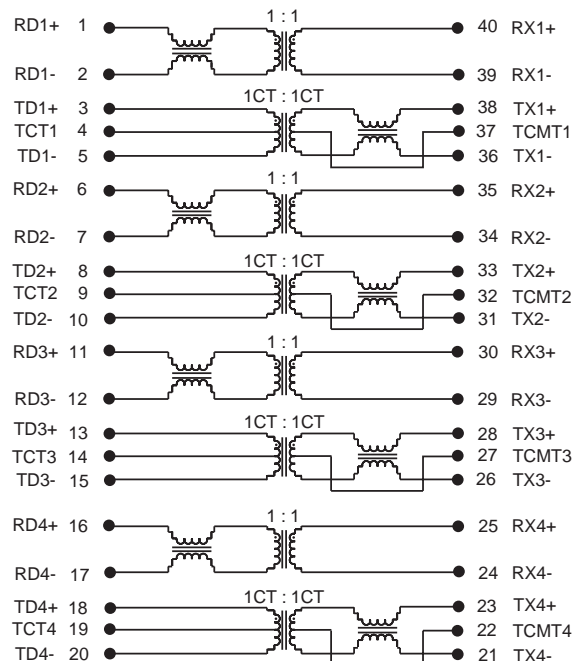
(Quad Port Dual Stack RJ-45)



S558-5999-C0



S558-5999-E5



10/100BASE-T LAN MAGNETICS

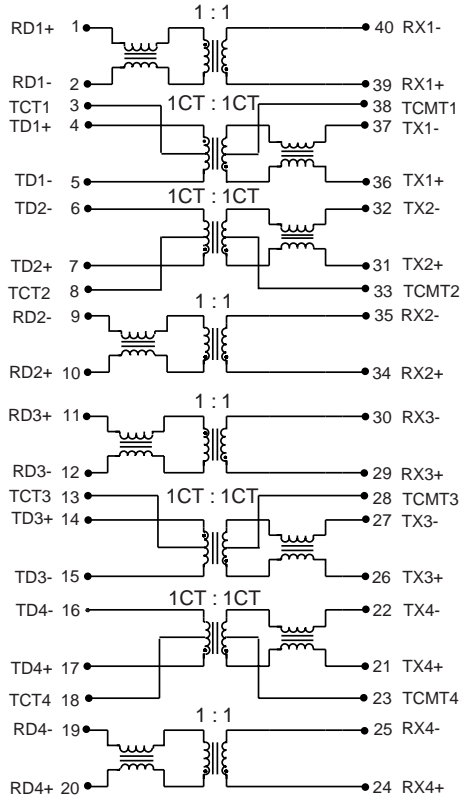
Quad Transformer Modules



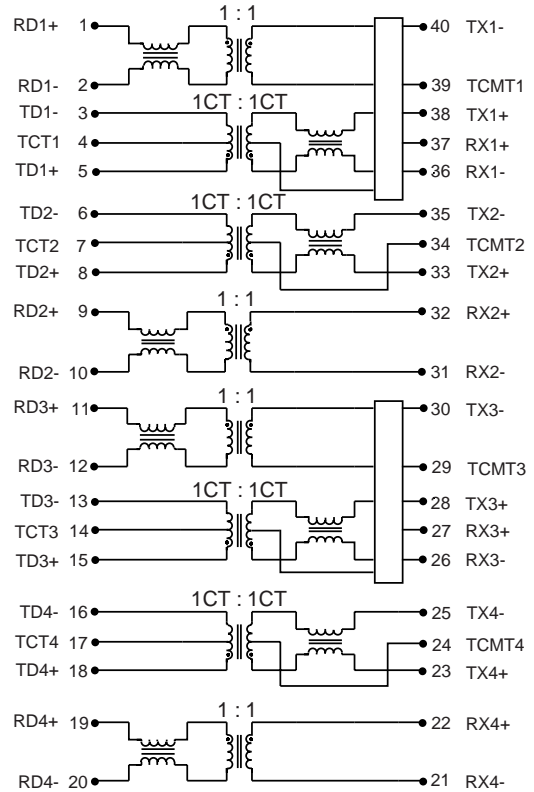
LM00402

SCHEMATICS

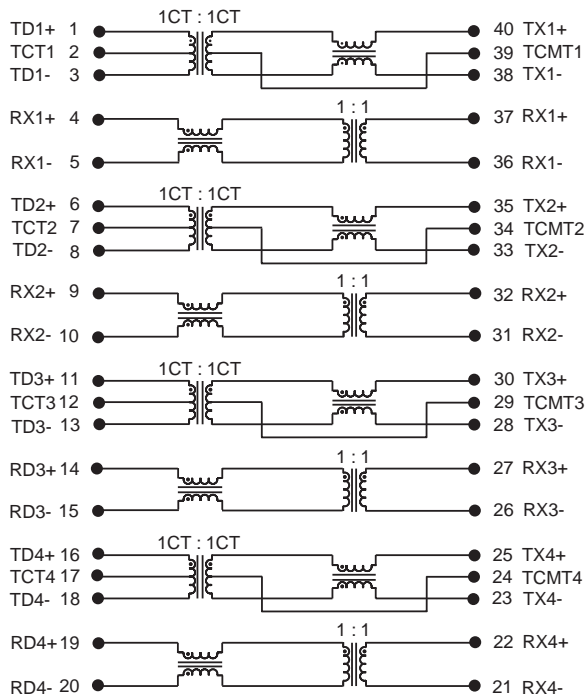
S558-5999-F8 & S558-5999-Z9



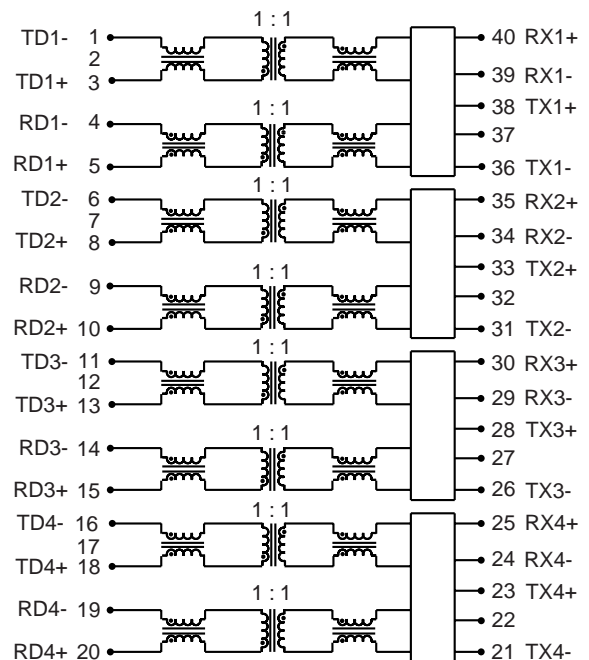
S558-5999-J5
(Quad Port Single Row RJ-45)



S558-5999-L4



S558-5999-N7

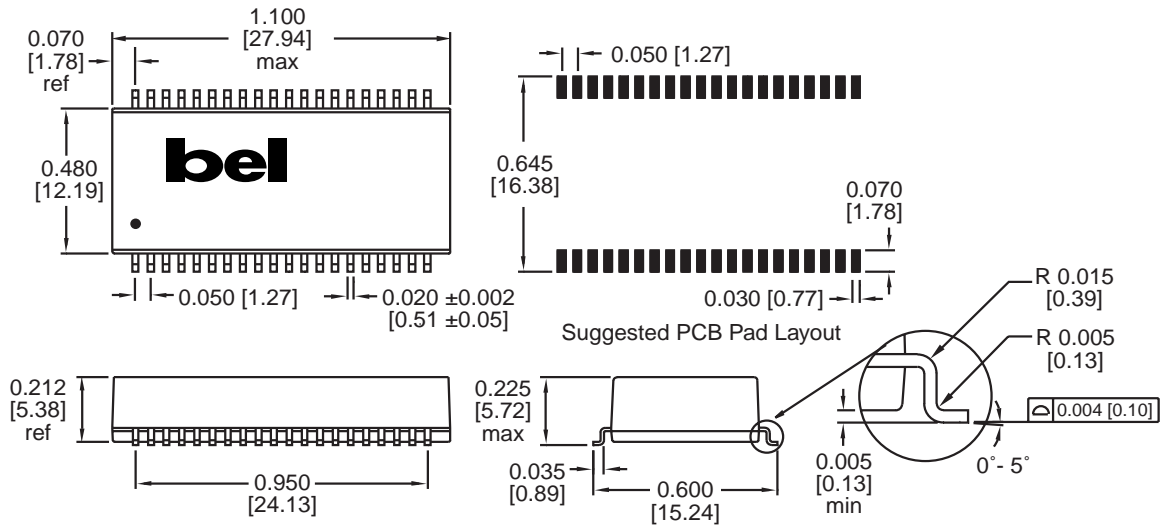


©2002 Bel Fuse Inc. Specifications subject to change without notice. 03.02

LM00402

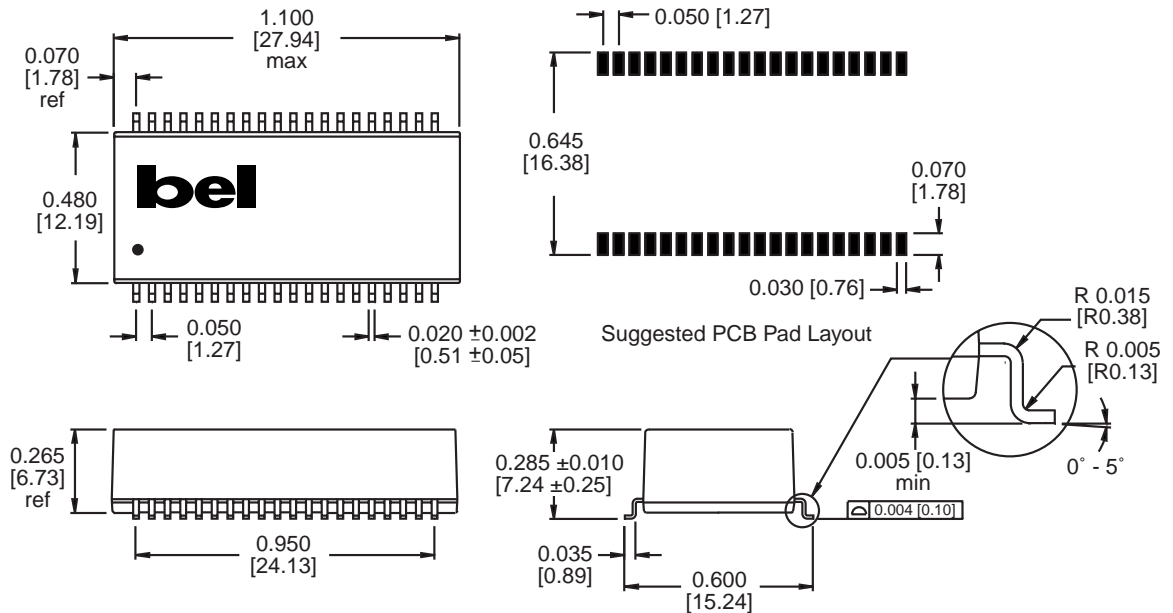
MECHANICALS

S558-5999-74
S558-5999B47
S558-5999-C0
S558-5999-E5
S558-5999-J5
S558-5999-L4
S558-5999-F8
S558-5999-Z9



Dimensions are in inches [millimeters].
Standard dimension tolerance is ± 0.005 [0.13] unless otherwise noted.

S558-5999-N7



Dimensions are in inches [millimeters].
Standard dimension tolerance is ± 0.005 [0.13] unless otherwise noted.

©2002 Bel Fuse Inc. Specifications subject to change without notice. 03.02

CORPORATE

Bel Fuse Inc.
206 Van Vorst Street
Jersey City, NJ 07302
Tel 201-432-0463
Fax 201-432-9542
www.belfuse.com

FAR EAST

Bel Fuse Ltd.
8F / 8 Luk Hop Street
San Po Kong
Kowloon, Hong Kong
Tel 852-2328-5515
Fax 852-2352-3706
www.belfuse.com

EUROPE

Bel Fuse Europe Ltd.
Preston Technology Management Centre
Marsh Lane, Suite G7, Preston
Lancashire, PR1 8UD, U.K.
Tel 44-1772-556601
Fax 44-1772-888366
www.belfuse.com