

# 10/100BASE-T LAN MAGNETICS

## Low Profile PCMCIA Transformer Modules

LM00411

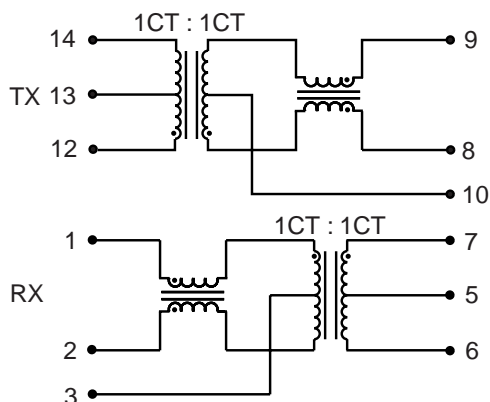
- Low profile, surface mount packaging rated to 225° C peak IR reflow temperature
- Four low profile package heights ranging from .098" (2.48mm) to .078" (1.98mm)
- Meets all IEEE 802.3 standards including 350  $\mu$ H OCL with 8mA bias
- Operating temperature 0° to 70° C
- Minimum interwinding breakdown voltage of 1500 Vrms

### ELECTRICAL SPECIFICATIONS AT 25° C

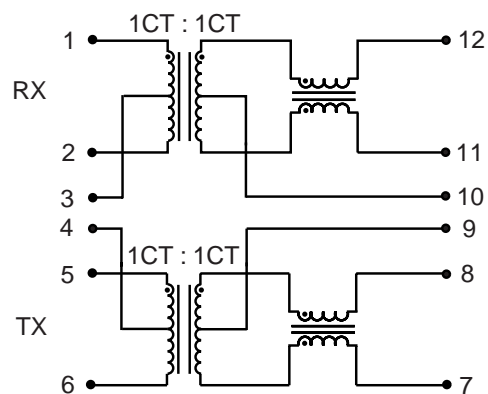
Part Number	Turns Ratio		Insertion Loss dB max	Return Loss dB min			Crosstalk dB min	Common to Differential Mode Rejection dB min			
	TX	RX		1MHz to 100MHz	30MHz	60MHz		80MHz	1MHz to 100MHz	30MHz	50MHz
S558-5999-32	1CT : 1CT	1CT : 1CT	-2.0	-17	-13	-12	-35	-40	-40	-30	-20
S558-5999-59	1CT : 1CT	1CT : 1CT	-1.0	-17	-13	-12	-35	-40	-40	-30	-20
S558-5999-69	1CT : 1CT	1CT : 1CT	-1.2	-17	-13	-12	-35	-40	-40	-30	-20
S558-5999-A2	1.41CT : 1CT	1CT : 1CT	-2.0	-17	-13	-12	-35	-40	-40	-30	-20
S558-5999-L1	1CT : 1CT	1CT : 1CT	-2.0	-17	-13	-12	-35	-40	-40	-30	-20
S558-5999-L5	1CT : 1CT	1CT : 1CT	-0.9	-18	-13	-12	-40	-40	-40	-30	-20

### SCHEMATICS

S558-5999-32



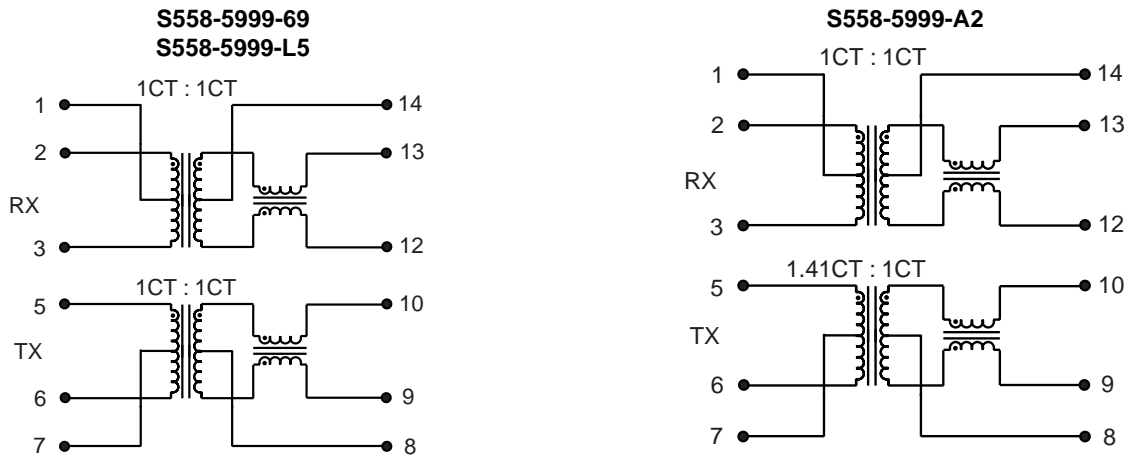
S558-5999-59



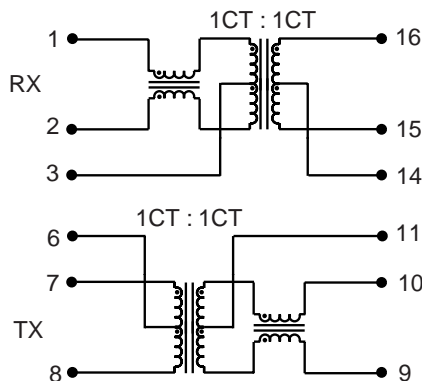
©2000 Bel Fuse Inc. Specifications subject to change without notice. 01.00

LM00411

### SCHEMATICS

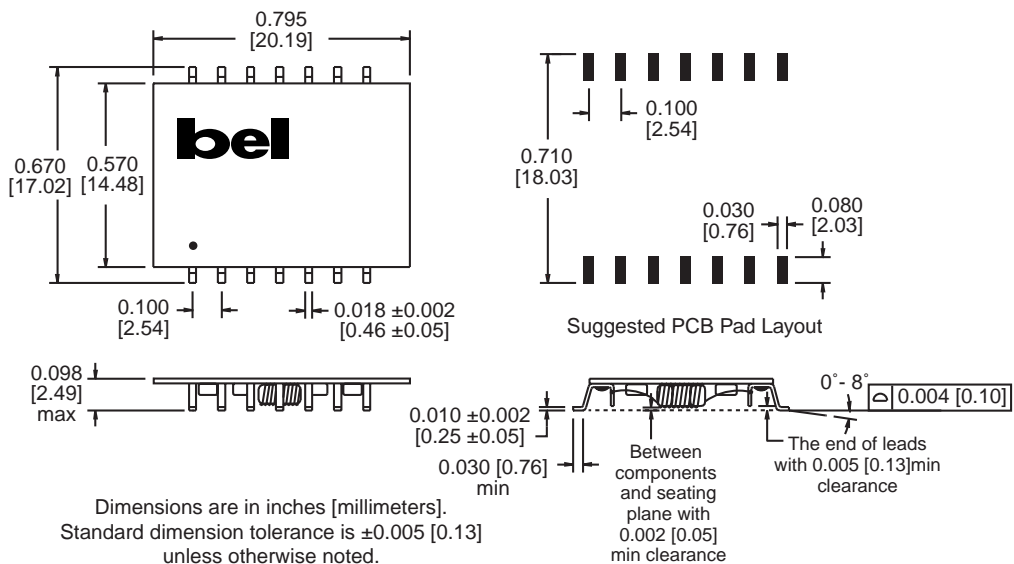


### S558-5999-L1



### MECHANICALS

**S558-5999-32**  
**S558-5999-69**



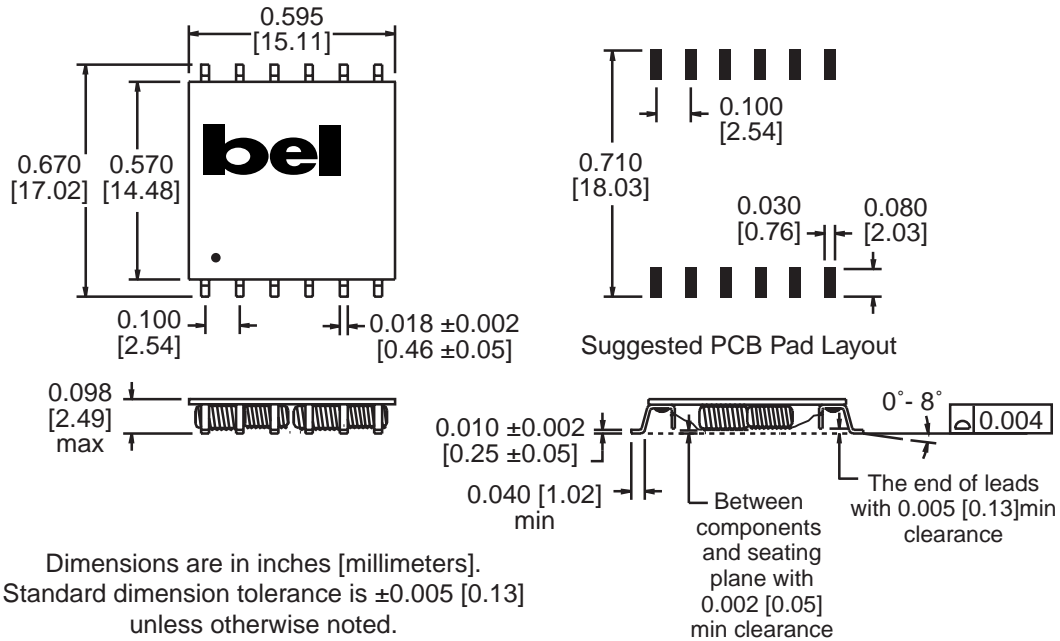
# 10/100BASE-T LAN MAGNETICS

## Low Profile PCMCIA Transformer Modules

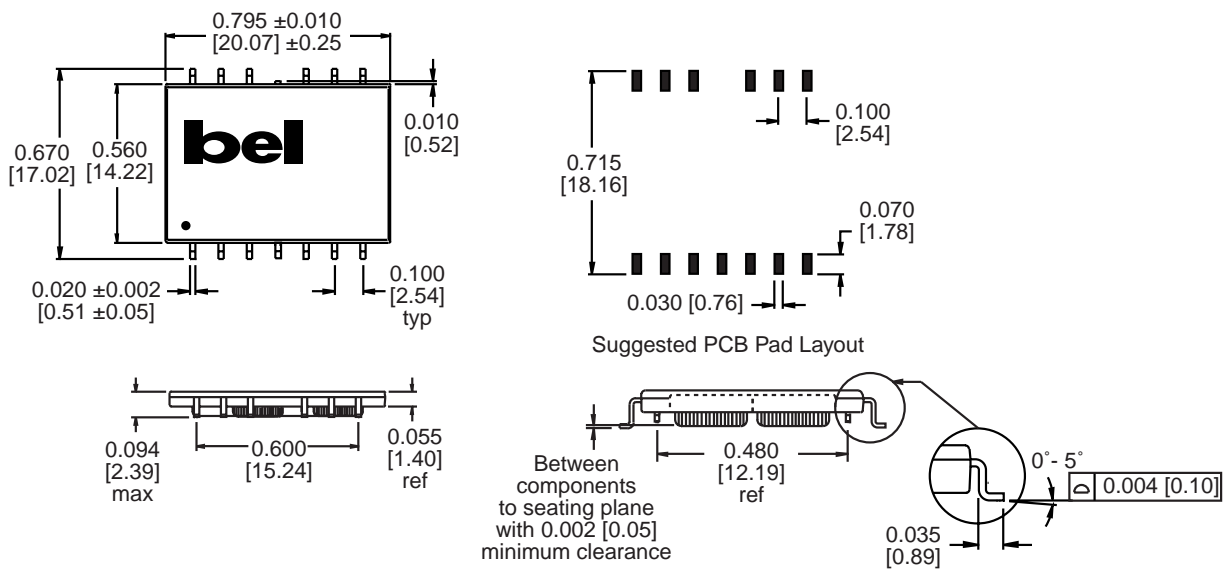
LM00411

### MECHANICALS

S558-5999-59



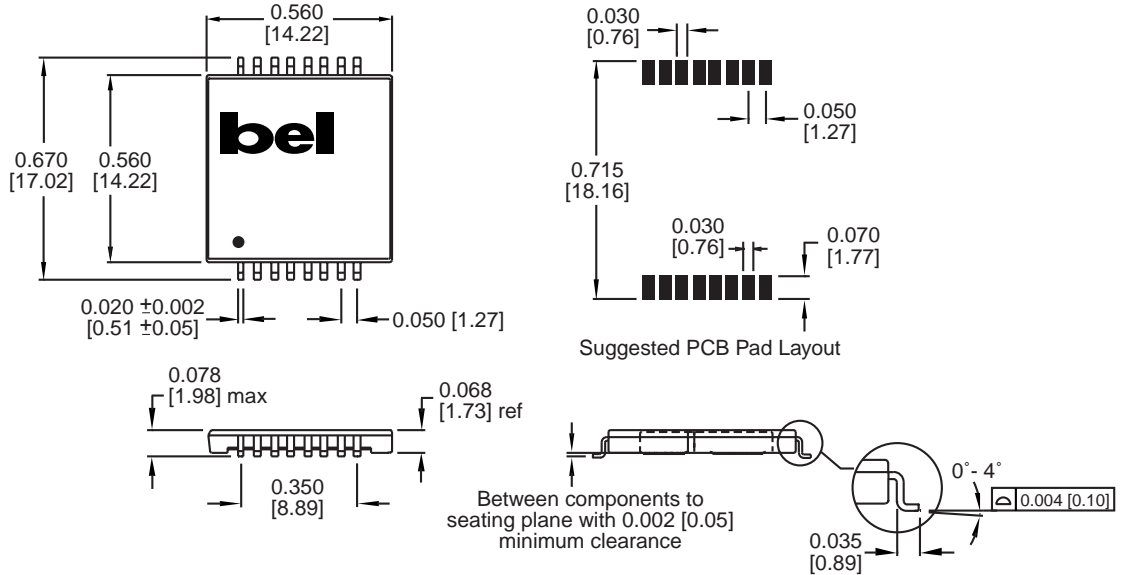
S558-5999-A2



LM00411

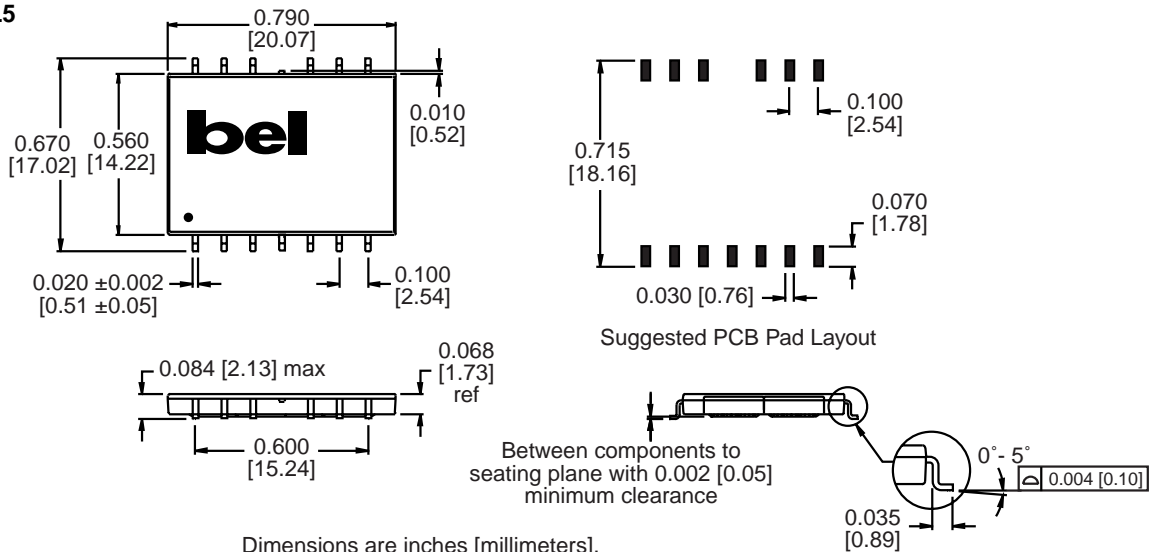
### MECHANICALS

#### S558-5999-L1



Dimensions are inches [millimeters].  
Standard dimension tolerance is  $\pm 0.005$  [0.13] unless otherwise noted.

#### S558-5999-L5



Dimensions are inches [millimeters].  
Standard dimension tolerance is  $\pm 0.005$  [0.13] unless otherwise noted.

©2000 Bel Fuse Inc. Specifications subject to change without notice. 01.00

#### CORPORATE

**Bel Fuse Inc.**  
206 Van Vorst Street  
Jersey City, NJ 07302  
Tel 201-432-0463  
Fax 201-432-9542  
www.belfuse.com

#### FAR EAST

**Bel Fuse Ltd.**  
8F / 8 Luk Hop Street  
San Po Kong  
Kowloon, Hong Kong  
Tel 852-2328-5515  
Fax 852-2352-3706  
www.belfuse.com

#### EUROPE

**Bel Fuse Europe Ltd.**  
Preston Technology Management Centre  
Marsh Lane, Suite G7, Preston  
Lancashire, PR1 8UD, U.K.  
Tel 44-1772-556601  
Fax 44-1772-888366  
www.belfuse.com