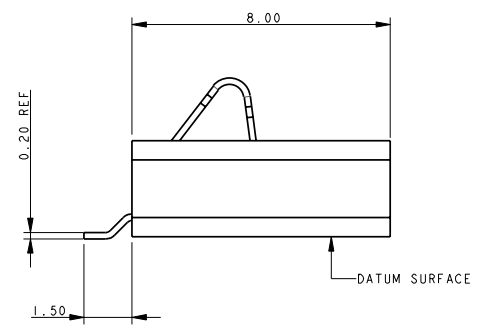
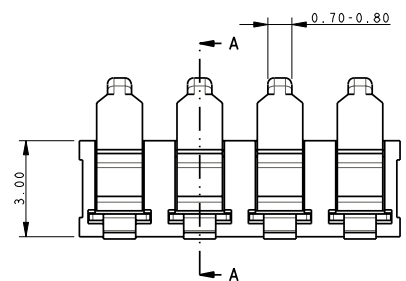
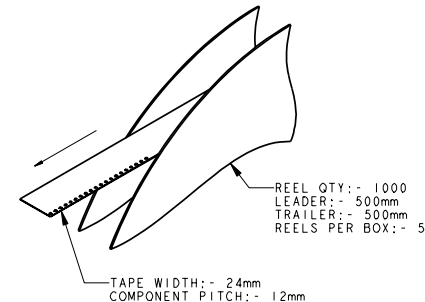
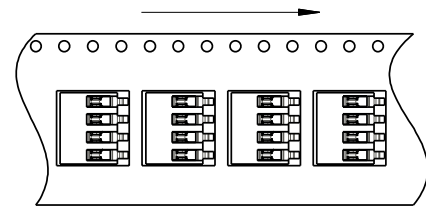
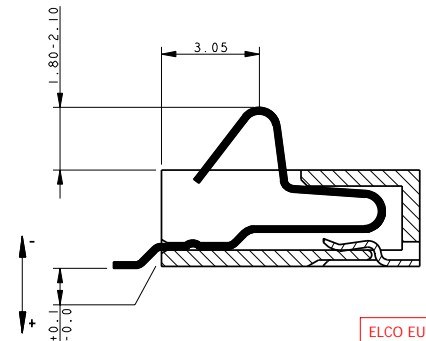


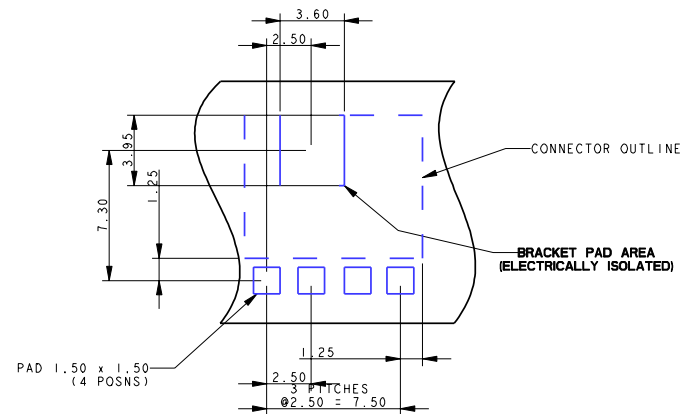
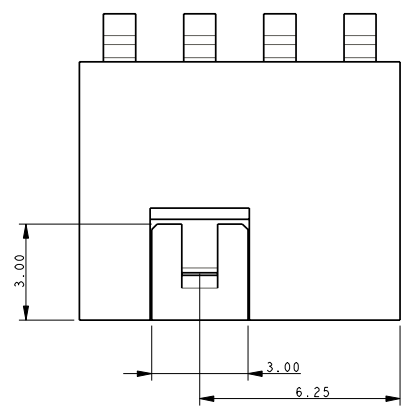
PACKING DETAILS



SECTION A-A



BOARD LAYOUT



ELCO EUROPE (A DIVISION OF AVX LTD.) CONFIDENTIAL PROPRIETARY THE DRAWING ON THIS PRINT AND INFORMATION THEREWITH ARE PROPRIETARY TO ELCO EUROPE (A DIVISION OF AVX LTD.) AND SHALL NOT BE USED OR DISCUSSED IN WHOLE OR IN PART WITHOUT ELCO EUROPE'S WRITTEN CONSENT.

- NOTES:
1. INSULATOR MATERIAL:- NYLON 46 30% GLASS FILLED UL94V-0 COLOUR BLACK.
 2. SIGNAL CONTACT MATERIAL:- BERYLLIUM COPPER.
 3. RESTRAINER BRACKET MATERIAL:- PHOSPHOR BRONZE.
 4. CONTACT PLATING:- SELECTIVE 0.4µm GOLD OVER NICKEL, 2.0-5.0µm PURE TIN TAIL.
 5. RESTRAINER BRACKET PLATING:- 2.5µm PURE TIN OVER NICKEL, ALL OVER.
 6. MECHANICAL OPERATIONS: 10K STANDARD ELCO VALIDATION.
 7. CURRENT RATING:- 3A MAX.
 8. CONTACT RESISTANCE:- 25mΩ MAX.
 9. PARTS TO BE PACKED IN TAPE AND REEL, QTY 1000/REEL.
 10. GENERAL TOLERANCE ±0.20 UNLESS OTHERWISE STATED.
 12. REFER TO ELCO PRODUCT SPEC 201-01-050



ELCO EUROPE (A DIVISION OF AVX LTD.) CONFIDENTIAL PROPRIETARY THE DRAWING ON THIS PRINT AND INFORMATION THEREWITH ARE PROPRIETARY TO ELCO EUROPE (A DIVISION OF AVX LTD.) AND SHALL NOT BE USED OR DISCUSSED IN WHOLE OR IN PART WITHOUT ELCO EUROPE'S WRITTEN CONSENT.



ELCO
© COPYRIGHT ELCO EUROPE
NOT TO BE DISCLOSED OR COPIED
WITHOUT WRITTEN PERMISSION

Drawn GKJ
Size CV

Description
CONNECTOR ASSY 4 WAY BATTERY

Part Number
58-9155-004-000-074S

DATE
20-Sep-07

Issue
B

FORM ISE-01-056-3 ISS-7
REV. NO. 102489