



# Accu-Cut

Premium Cutters



Rockwell Hardness Rating: 63-65  
Forged Steel Blades



Dual Leaf Spring Release

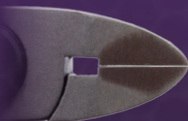


ESD Ergonomic Cushion Grip

## Durable. Reliable. Precise.

Aven's redesigned Accu-Cut cutters come complete with all of the premium features you've come to expect without the premium price.

- Redesigned head sizes to fit modern applications
- Ergonomic, ESD Safe hand grips for large and small hands
- Forged steel blades provide 63-65 HRC
- Screw joint construction
- Dual leaf springs
- Available in flush and semi-flush cutting finishes
- Oval Head and Tapered Head styles
- Rigorously tested in our custom-made cutting machine




Semi-Flush Blade

Flush Blade

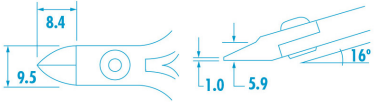



# Accu-Cut Premium Cutters



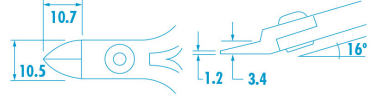

OVAL HEAD CUTTERS		
ITEM #	CUTTING EDGE	PRICE
10821S	Semi-Flush	
10821F	Flush	

This popular style can be used for many applications

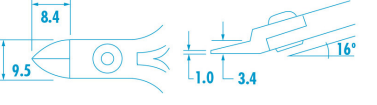

TAPERED HEAD CUTTERS		
ITEM #	CUTTING EDGE	PRICE
10825S	Semi-Flush	
10825F	Flush	

Compact pointed head for increased access, yet covers a wide range

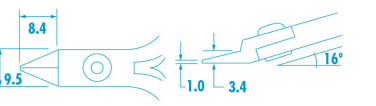

OVAL HEAD RELIEF CUTTERS		
ITEM #	CUTTING EDGE	PRICE
10822S	Semi-Flush	
10822F	Flush	

Same features as the Oval Head Cutter with relief for extra accessibility



TAPERED HEAD RELIEF CUTTERS		
ITEM #	CUTTING EDGE	PRICE
10826S	Semi-Flush	
10826F	Flush	

Same features as the Tapered Head Cutter with relief for extra accessibility

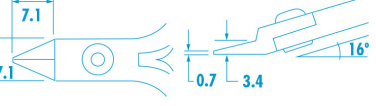

LARGE OVAL HEAD CUTTERS		
ITEM #	CUTTING EDGE	PRICE
10823S	Semi-Flush	
10823F	Flush	

Popular for wire and cable, 25% larger than the standard oval cutters

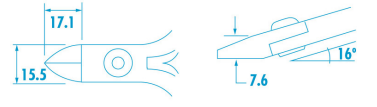

MINI TAPERED HEAD RELIEF CUTTERS		
ITEM #	CUTTING EDGE	PRICE
10828S	Semi-Flush	
10828F	Flush	

For exceptionally fine cutting work. Reach small and difficult areas.

XL OVAL HEAD CUTTERS		
ITEM #	CUTTING EDGE	PRICE
10829S	Semi-Flush	
10829F	Flush	

The largest and most durable Accu-Cut Cutter

MINI OVAL HEAD CUTTERS		
ITEM #	CUTTING EDGE	PRICE
10827S	Semi-Flush	
10827F	Flush	

SMT Cutter, 30% smaller than standard oval cutters

