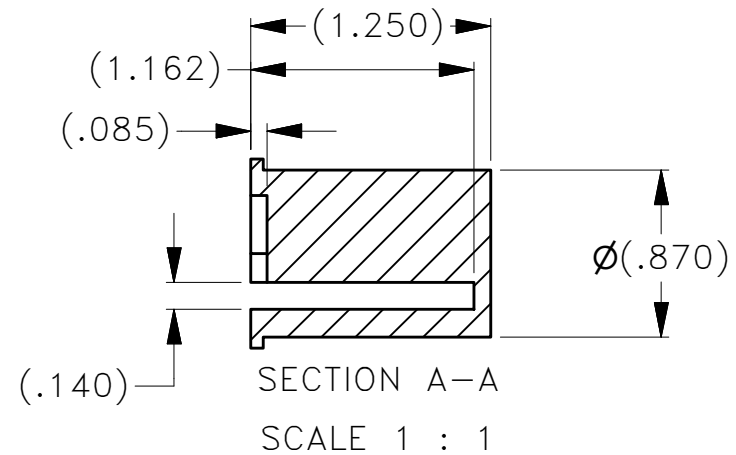
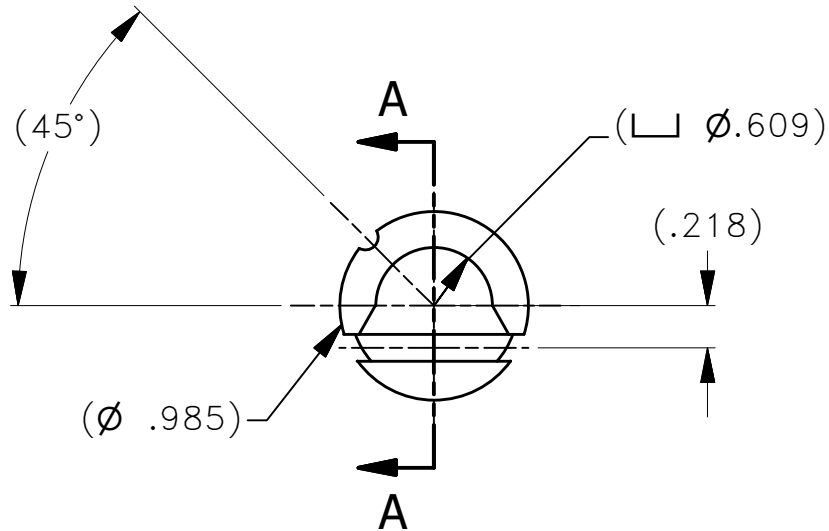


REF: USE WITH AMT23184DA DIE ASSEMBLY.

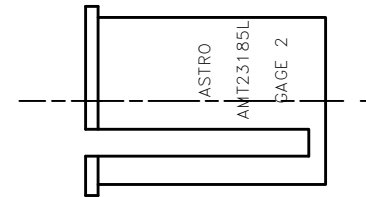
REVISIONS				
AMT23185L-ENV				
REV SYM	ECO NUMBER	DESCRIPTION	BY DATE	APP'D DATE
A	--	NEW RELEASE	DYO 12-18-13	MMK 12-18-13



**UNCONTROLLED DOCUMENT**  
**WILL NOT BE UPDATED**

NOTES:

1. THIS IS AN ICAD DRAWING DO NOT CHANGE MANUALLY.



MATERIAL	ITEM	PART NO.	QTY.	DESCRIPTION/REMARKS	
(2024 ALUM.)	DRN.	ADL.G	DATE	CAGE 58164	
	CHK'D.	MMK	DATE		
HEAT TREAT N/A	APP'D.		DATE	 21615 S.W. THIALATIN VALLEY HWY., BEAVERTON OR 97006	
	APP'D.		DATE		
THESE DRAWINGS, SPECIFICATIONS OR OTHER DATA ARE AND REMAIN, THE PROPERTY OF ASTRO TOOL CORP. AND MUST BE RETURNED UPON REQUEST. THEY CONTAIN INFORMATION OWNED AND/OR DEVELOPED BY ASTRO AT ITS OWN PRIVATE EXPENSE AND MAY NOT BE USED, DUPLICATED OR DISCLOSED TO OTHERS, IN WHOLE OR IN PART FOR DESIGN, MANUFACTURE, OR PROCUREMENT WITHOUT THE WRITTEN PERMISSION OF ASTRO TOOL CORP. EACH AND EVERY TIME.	TOLERANCE: UNLESS OTHERWISE SPECIFIED FRACTIONS ± 1/32 ANGLES ± 1' DECIMAL INCHES: .X ± .030 .XX ± .010 .XXX ± .005 .XXXX ± .0005 REMOVE BURRS AND BREAK SHARP EDGES .005-.015		TITLE ENVELOPE DRAWING: AMT23185L LOCATOR, SIZE 2		
			CREATED FROM AN INVENTOR MODEL. CHANGES MUST BE REFLECTED IN THE 3D PART	WHERE USED:	SIZE A
DO NOT SCALE DRAWING	FINISH		POSTING	P/N AMT23185L-ENV	REV. A