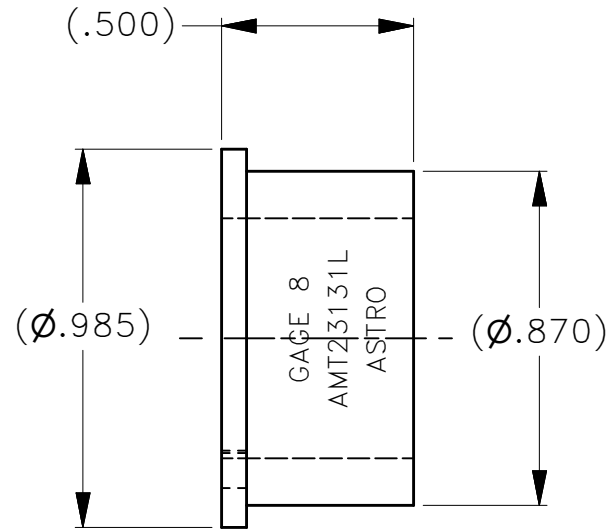
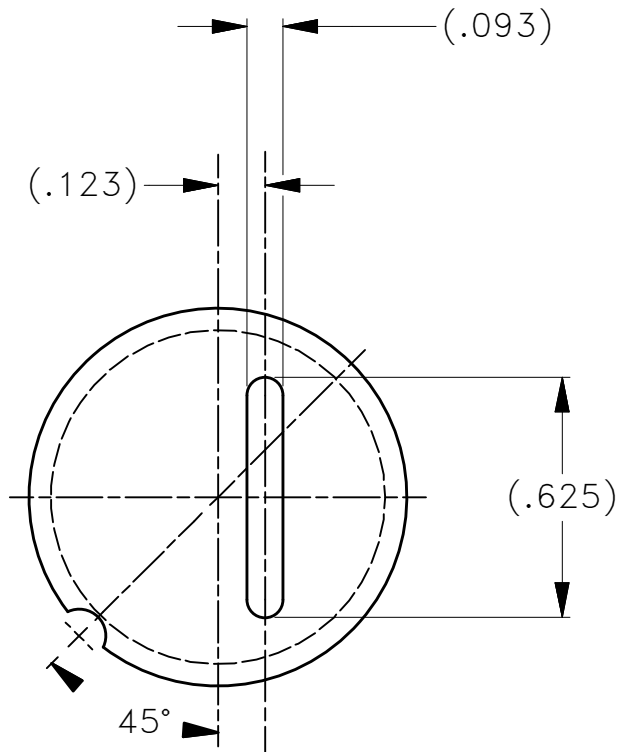



REV SYM		ECO NUMBER	DESCRIPTION	BY DATE	APP'D DATE
A		--	NEW RELEASE	DYO 12-18-13	ADI. G 12-18-13



UNCONTROLLED DOCUMENT
WILL NOT BE UPDATED

NOTES:

1. THIS IS AN ICAD DRAWING DO NOT CHANGE MANUALLY.

MATERIAL (2024 ALUMINUM)	ITEM	PART NO.	QTY.	DESCRIPTION/REMARKS
	DRN. ADI.G	DATE 12-18-13		CAGE 58164
HEAT TREAT N/A	CHK'D. MMK	DATE 12-18-13	 21615 S.W. THIALATIN VALLEY HWY., BEAVERTON OR 97006	
	APP'D.	DATE		
FINISH	APP'D.	DATE	TITLE ENVELOPE DRAWING: AMT23131L LOCATOR, 8 GAGE	
	TOLERANCE: UNLESS OTHERWISE SPECIFIED FRACTIONS ± 1/32 ANGLES ± 1' DECIMAL INCHES: .X ± .030 .XX ± .010 .XXX ± .005 .XXXX ± .0005 REMOVE BURRS AND BREAK SHARP EDGES .005-.015		WHERE USED:	
CREATED FROM AN INVENTOR MODEL. CHANGES MUST BE REFLECTED IN THE 3D PART	SIZE A	SCALE N/A	CAD P/N AMT23131L-ENV_RA	SHEET OF 10 F1
DO NOT SCALE DRAWING	POSTING	P/N AMT23131L-ENV	REV. A	