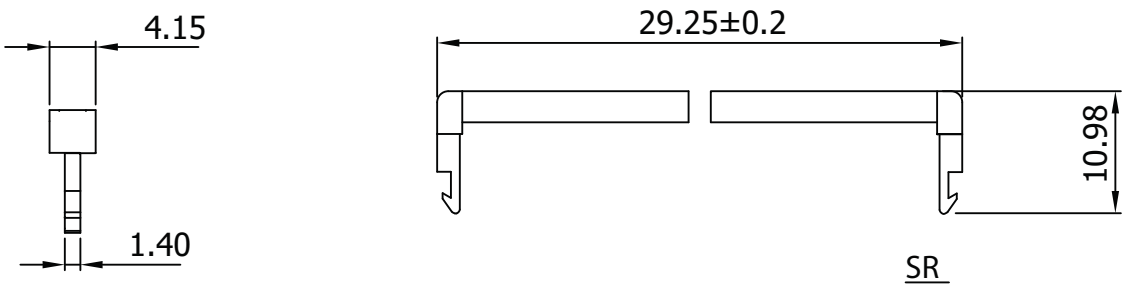


A



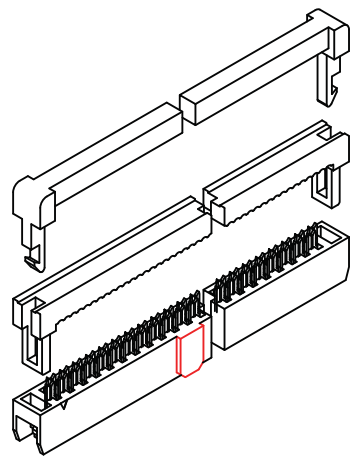
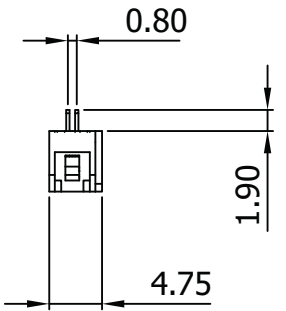
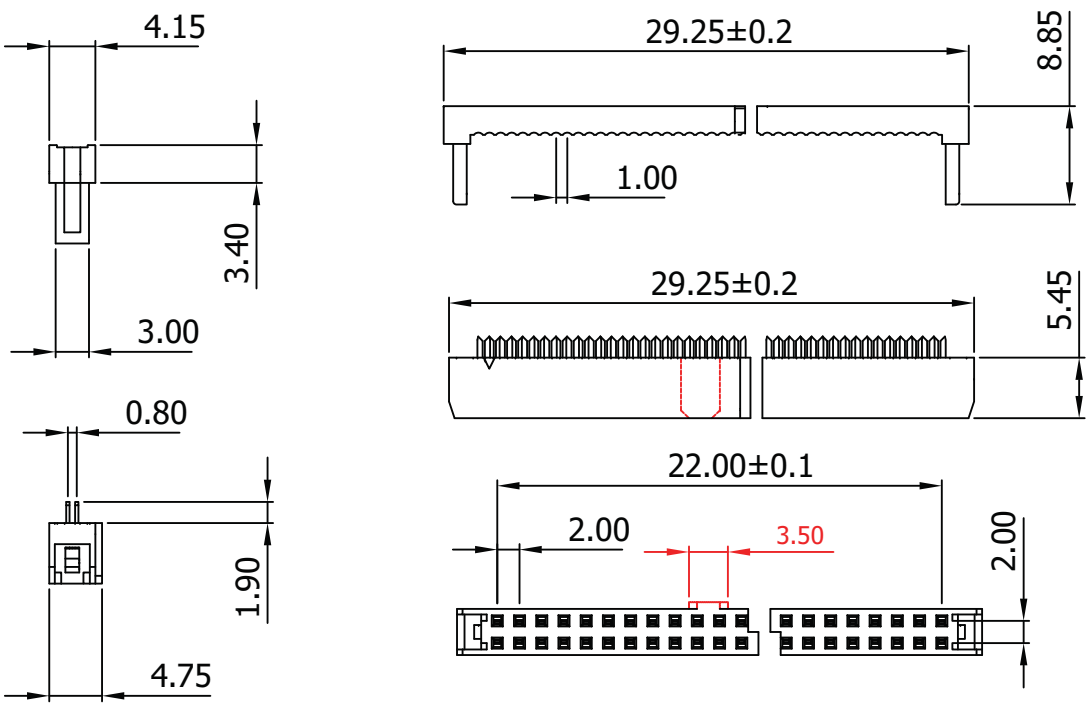
B

C

D

E

F



I.D.C SOCKET DUAL-ROW

Material:

- Insulator: P.B.T. 30% Glass Fiber, UL 94V-0
- Contact Material: Phosphor Bronze, Gold flash over Nickel

Electrical:

- Current Rating: 1Amp DC
- Insulation Resistance: 1,000MΩ Min.
- Dielectric Withstanding: 500V AC
- Operating Temperature: -55°C ~ +105°C

Unit: MM±0.30MM

A

B

C

D

E

F

G

H

A

B

C

D

E

F

G

H



Scale	1:1					Name	Item No.
TOLERANCE					Drawn	10.19.11	AWP2-24-7241-T-R
X.X	±0.40				Approved		
X.XX	±0.25						Drawing No.
X.XXX	±0.15						rev00
Angle	±3°						
			Modification	Date	Name	Sheet	

