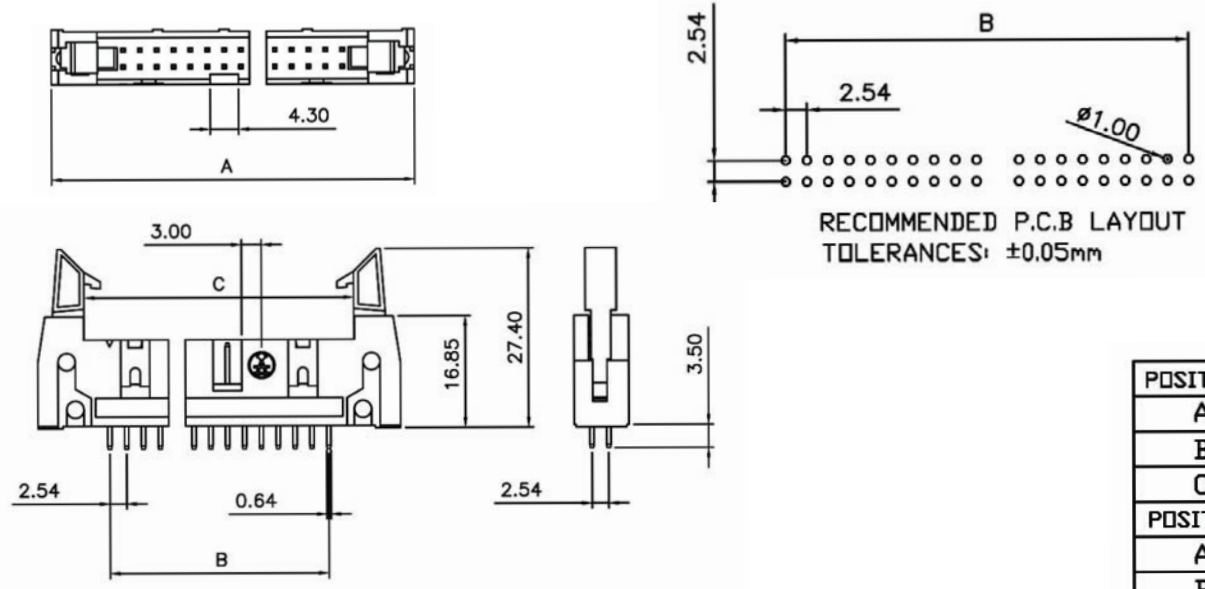


### AWHxG-02x2-T-R

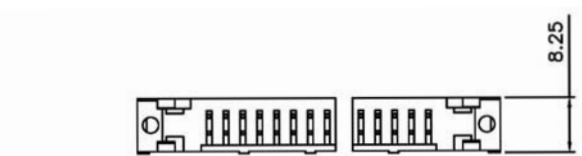
Latches  
 0 - w/o latches  
 2 - w/short latches  
 3 - w/long latches

Number of Contacts  
 10/14/16/20/26/34  
 40/50/60/64

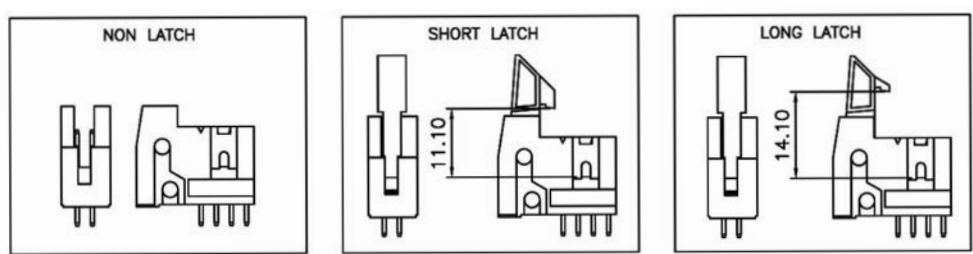


POSITION	10	12	14	16	20	24	26
A	31.90	34.60	36.98	39.52	44.60	49.68	52.15
B	10.16	12.70	15.24	17.78	22.86	27.94	30.48
C	18.00	20.54	23.08	25.62	30.70	35.78	38.32
POSITION	30	34	40	50	60	64	
A	57.40	62.38	70.00	82.70	95.60	100.7	
B	35.56	40.64	48.26	60.96	73.66	78.74	
C	43.40	48.48	56.10	68.80	81.82	86.90	

Material: PBT UL94V-0  
 Contact (material): Brass  
 Contact resistance: 10 mΩ Max.  
 Insulation Resistance: 1000 MΩ Min.  
 Current rating: 1 AMP  
 Dielectric Voltage: 500V AC for one minute  
 Operation Temperature: -55 C to +105C



10. LATCH OPTION:



Tolerance: ±0.2 Unit: MM



Scale	1:1					Name	Item No. <b>AWHx-G-02x2-T-R</b>
TOLERANCE					Drawn	07/09/12	
X.X	±0.40				Approved	07/09/12	Warner
X.XX	±0.25						Title Dual Row Header, 2.54MM pitch, PCB Mount
X.XXX	±0.15						
Angle	±3°						Drawing No.
							<b>rev00</b>
							Replace
							Sheet

